

Type
Project
Catalog No.
Lamp/Wattage

NTH-149 (Line Voltage Track)

BR/PAR Shroud

Lamp : 75W BR/PAR30

PRODUCT DESCRIPTION

Line voltage BR/PAR Shroud fixture. Yoke provides full adjustment of light source for special aiming and dual tightening knob assure lock on angle position.

FEATURES

- Deep drawn steel socket cup housing for high strength and rigidity
- Heat resistant Teflon coated wire lead
- Low profile gimbal ring with minimal profile
- Adjustable yoke for custom aiming
- High-strength stainless steel electrical contacts
- One or two circuit track capable

CONSTRUCTION

Housing

0.035" Deep drawn steel construction with simple, cylindrical design. All edges are softened for aesthetic appearance.

Yoke

0.085" Rigid steel "wishbone" yoke connects fixture housing to electrical contact head. Dual plastic angle tightening knobs maintain clean, decorative appearance of the fixture and provide secure angle position.

ELECTRICAL SYSTEM

Socket

Porcelain jacketed aluminum screw thread medium-base socket.

Wiring

Teflon coated wire lead connects socket and housing to electrical contact head. Teflon coating is durable and resists heat degradation from lamp and housing radiation.

Lamp

75W BR30/PAR30 Maximum (not included)

One/Two Circuit Conversion

Positive contact (opposite neutral and ground contacts) is preset to "down" position at factory but may be raised to the higher position to install onto the second circuit of Nora Lighting NT- 2300 series two-circuit track.

FINISHES

Black, Silver, or White heat rated baked enamel paint. Custom painting or anodizing for special applications are also available. Custom finishes will require lead times that vary depending on vendor schedule. Please consult factor for quotation, and provide either a Dunn Edwards number or color chip for exact matching.

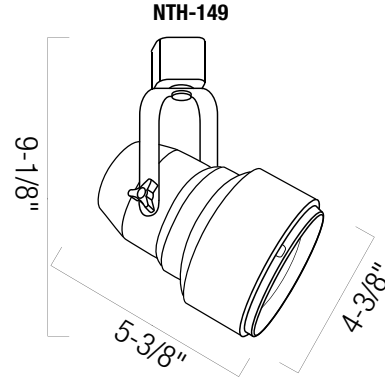
ACCESSORIES

- NT-339 BR30/PAR30 Black Barn Door
- NT-342 BR30/PAR30 Black Louver (requires NT-339 or NT-345)
- NT-345 BR30/PAR30 Black Accessory Holder

LABELS AND LISTINGS

UL Listed for dry location

DIMENSIONS



Diameter : 4-3/8"
 Length : 5-3/8"
 Max. Extension: 9-1/8"



BR/PAR Shroud

Catalog No.	Min. - Max Wattage	Finishes	Style
NTH-149	75W	B = Black	Blank = H-Style
		S = Silver	/J = J-Style
		W = White	/L = L-Style

Create a complete track head number: Example: NTH - 1 49B