

| |
|--------------|
| Type |
| Project |
| Catalog No. |
| Lamp/Wattage |

NTH-149G24 (GU24 Track)

shroud with Convex Frosted Lens.

Lamp: 13W GU24 Spiral CFL 15W GU24 R30 CFL

PRODUCT DESCRIPTION

Energy efficient GU24 compact fluorescent shroud with convex frosted lens and adjustable yoke. Yoke provides full adjustment of light source for special aiming and dual tightening knobs assure secure lock on angle position.

FEATURES

- Deep drawn steel housing for high strength and rigidity
- Heat resistant Teflon coated wire lead
- Adjustable yoke for custom aiming
- High-strength stainless steel electrical contacts
- One or two circuit track capable

CONSTRUCTION

Housing

0.030 Deep drawn steel construction with stepped art-deco style front detail.

Convex Lens

Frosted convex lens provided for even illumination, may be removed for R30 GU24 lamp.

Structural Arm

0.085 Rigid steel "wishbone" yoke connects fixture housing to electrical contact head. Dual plastic angle tightening knobs maintain clean, decorative appearance of the fixture and provide secure angle position.

ELECTRICAL SYSTEM

Socket

Procelain twist & lock GU24 based socket, 600V, 660W.

Lamp

13W Twist & Lock Spiral GU24 lamp maximum. (ordered separately)

15W Twist & Lock R30 GU24 lamp maximum. (ordered separately)

One/Two Circuit Conversion

Positive contact (opposite neutral and ground contacts) is preset to "down" position at factory but may be raised to the higher position to install onto the second circuit of Nora Lighting NT- 2300 series two-circuit track.

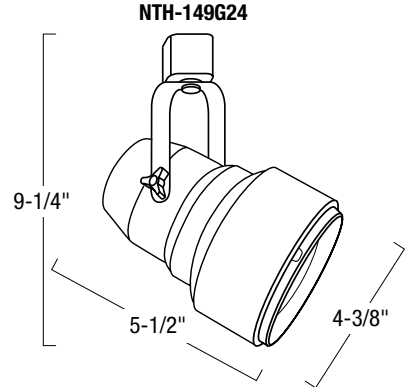
FINISHES

Black, and White powder coated finishes available, custom painting or anodizing for special applications is available. Custom finishes will require lead times that vary depending on vendor schedules. Please consult factory for quotations and provide a Dunn Edwards number or color chip for exact color matching.

LISTING

UL Listed as track lighting fitting.

DIMENSIONS



Diameter: 4-3/8"
Length : 5-1/2"
Max. Extension: 9-1/4"



Classic Cylinder with Convex Frosted Lens

| Catalog No. | Finishes |
|-------------------|--------------------------------------|
| NTH-149G24 | B = Black W = White |

Create a complete track head number: Example: NTH-149G24B