

Type _____

Project _____

Catalog No. _____

Lamp/Wattage _____

NTH-884

PAR38 Duet Dual Headed Track Fixture.

Lamp : (2)150W PAR38 (Not Included)

PRODUCT DESCRIPTION

The Biform Series feature clean sharp edges defining a pair of symmetric gimbal rings. The socket is neatly tucked in a die-cast cone that blends in form with the die-cast gimbal ring. The fixture leaves the back of the lamp exposed for cooler operation and longer lamp life. Each Biform gimbal rotates 180 degrees independently of the die-cast center post which rotates horizontally 355 degrees.

FEATURES

- Sleek, modern architectural design.
- Die-cast aluminum construction for high strength and rigidity.
- High-strength stainless steel electrical contacts.
- One or two circuit track capable.

CONSTRUCTION

Housing

Conical die-cast shroud covers medium base socket with softened edges. Die-cast aluminum gimbal rigs hold lamps securely in place. Extruded aluminum center post.

Contact Head Assembly

"H" Style (standard): Three 0.030 stainless steel contacts mounted in premium plastic housing.

"J" Style: Two contacts and ground contact mounted in premium plastic housing with on/off switch.

"L" Style: Two contacts and ground contact mounted in premium plastic housing.

ELECTRICAL SYSTEM

Input voltage

120V/60Hz Input

Socket

Porcelain jacketed aluminum screw thread medium-base socket

Wiring

Exposed and covered socket wires allow complete flexibility in rotation of heads.

Lamp

(2) 150W PAR38 Maximum (not included)

One/Two Circuit Conversion

Positive contact (opposite neutral and ground contacts) is preset to "down" position at factory but may be raised to the higher position to install onto the second circuit of Nora Lighting NT- 2300 series two-circuit track.

FINISHES

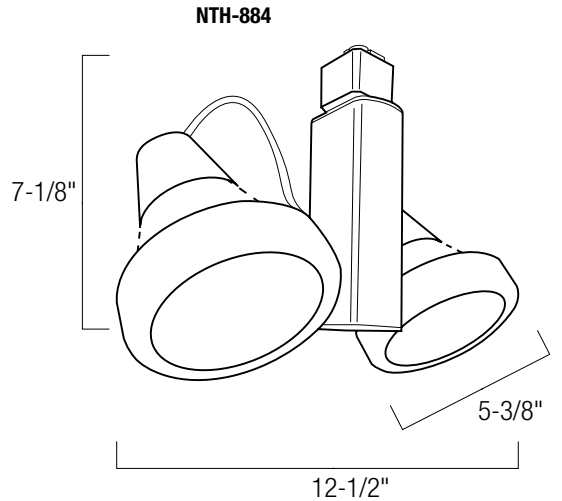
Black or White heat rated baked enamel paint.

LABELS AND LISTINGS

UL Listed.



DIMENSIONS



Diameter: 5-3/8"
Width: 12-1/2"
Length: 7-1/8"
Max. Extension: 9-1/4"



Duet Dual Head PAR38

Catalog No.	Finishes	Style
NTH-884	B = Black	Blank = H-Style
	W = White	/J = J-Style
		/L = L-Style

Create a complete track head number: Example: NTH-884B Duet Dual head PAR 38 track in black finish