

NTL-172

Line Voltage Step Cylinder Track Pack

Line Voltage Track Pack

Lamps: (2) 50W R/Par20



Type _____
 Project _____
 Catalog No. _____
 Lamp/Wattage _____

PRODUCT DESCRIPTION

One 2' single circuit extruded aluminum track with 20-Amp rated flat, solid integral conductors equipped with two end caps. 2 line voltage stepped "continental" styled track heads with black baffles. The track pack also includes a floating canopy feed, which allows the track to connect to an existing outlet box anywhere along the track.

Features

- Deep drawn steel housing for high strength and rigidity.
- Completely concealed wiring.
- Fully adjustable, firm angle position.
- High-strength stainless steel electrical contacts.

CONSTRUCTION

Track Extrusion

.030 die cast aluminum construction with 0.045 PVC insulators holding 12-gauge flat conductor wiring. Polarity groove is located on face of track to indicate location of grounding conductor.

Track Head Housing

0.030 Deep drawn steel construction with simple, yet decorative design. All edges are softened for aesthetic appearance.

Baffle

0.085 Black finished phenolic high rated plastic baffle. Provides finished appearance and assists in eliminating glare from housing interior.

Structural Arm

Extruded 0.055 aluminum arm connects fixture housing to electrical contact head. Internal tightening mechanism maintains desired lamp aiming angles. Structural arm also functions as wire way, completely concealing lead wire from socket to contact head.

Socket

Porcelain jacketed aluminum screw thread medium base socket.

Contact Head Assembly

Three 0.030 stainless steel contacts mounted in high heat rated plastic housing.

Electrical

2400 Watts, 120V input, 60Hz.

Dimming

Nora track may be dimmed with any approved incandescent dimmer.

Lamp

- 50W R/Par20 lamp (not included).

Finishes

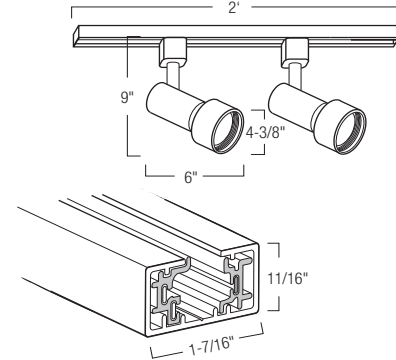
White heat rated baked enamel paint.

Compatibility

Nora track fixtures are interchangeable with Halo, Catalina, Hampton Bay, Halo-Edison, or any other brands configured to Halo 3 conductor track design.

Note: Fixtures may not be compatible with non-Nora transformers or monopoint adapters.

DIMENSIONS



TRACK:	TRACK HEAD:	
Height: 11/16"	Diameter: 4-3/8"	
Length: 2'	Length: 6"	
Width: 1-7/16"	Max. Extension: 9"	

Optional Accessories

- NT-338 Barn Door for R/Par20
- NT-341 Black Louver for R/Par20 (Must use NT-338 or NT-344)
- NT-344 Black Holder for R/Par20

Labels and Listings

- UL Listed as track lighting fitting.
- UL Listed for indoor, dry location.



Create a complete catalog number: Example: NTL-172 / NT-344

Track Pack - select one box from each column

Catalog No.	Lamp	Wattage	Finish
NTL-172	R/Par20	50	W

Finishes: W = White

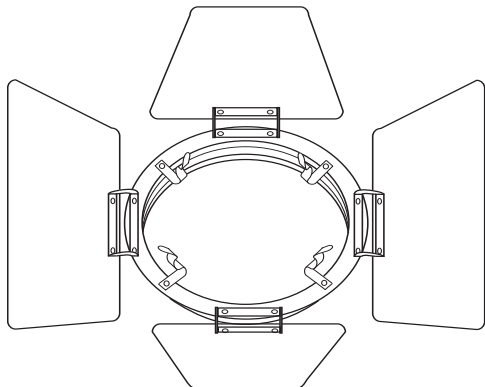
Optional Accessories

Catalog No.
NT-338
NT-341
NT-344

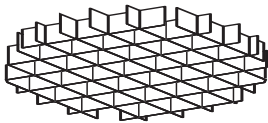


NTL-172 Accessories

NT-338 Barn Door for R/Par20



NT-341 Black Louver for R/Par20
(Requires NT-338 or NT-344)



NT-344 Black Holder for R/Par20

