

Type
Project
Catalog No.
Lamp/Wattage

NTL-313 (Low Voltage Track)
MR16 Michaelangelo Framing Projector.
 Lamp: 20W - 50W Halogen MR16

PRODUCT DESCRIPTION

Low voltage die cast aluminum picture framing projector consisting of diecast aluminum housing, four adjustment blades, and focusing lens. Horizontal adjustment friction locked, knob provided to lock vertical adjustment

FEATURES

- Die cast aluminum provides superior strength and rigidity.
- Low profile, aesthetic design.
- Four blades for precise definition around wall paintings.
- High-strength stainless steel electrical contacts.
- One or two circuit track capable.
- Convex focusing lens to blur or sharpen frame borders.

CONSTRUCTION

Housing

Main body consists of a two-piece cylindrical .080 die cast aluminum housing connected with two .20 finished stainless steel rods, locked with external stainless steel knobs. First housing contains socket; the second contains the focusing lens and blades. Two piece construction allows for replacement of MR16 lamp without disturbing the framing adjustments within the secondary cylinder. Two internal steel rods secure a rectangular porcelain MR16 socket in the most optimal setting for optical performance. Two high-tension springs hold a shielded MR16 light source in place.

Yoke

.08 Rigid steel curved yoke connects fixture housing to integral transformer. Black plastic tightening knob maintains clean, decorative appearance of the fixture and provides secure angle position.

Socket

Porcelain socket for GU5.3 12V MR16 lamp.

Lamp

One 20W-50W 12V MR16 Halogen Lamp (Ordered Separately).

One/Two Circuit Conversion

Positive contact (opposite neutral and ground contacts) is preset to "down" position at factory but may be raised to the higher position to install onto the second circuit of Nora Lighting NT- 2300 series two-circuit track.

ELECTRICAL SYSTEM

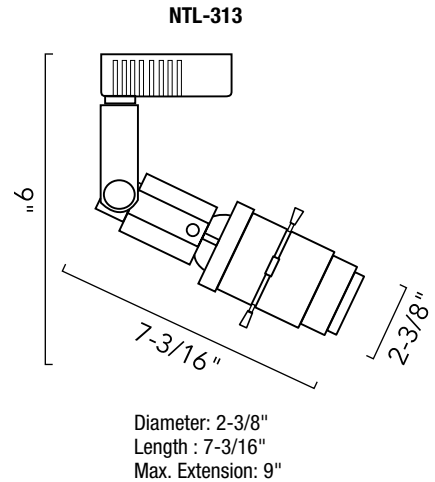
1. Transformer – Solid state electronic transformer provides noise-free voltage reduction and operation. If dimming, use electronic low voltage rated only dimming controls. If dimming, lamp manufacturers recommend burning the MR16 at full power for 100 consecutive hours prior to using dimming control. Failure to apply this precaution may reduce lamp life. Integral Unit - 120V/60Hz Input; 12V Output; 50VA Max. Load

2. Wiring - Teflon coated wire lead connects socket and housing to electrical contact head. Teflon coating is durable and resists heat degradation from lamp and housing radiation.

FINISHES

Transformer is black; remainder of fixture is silver powder coat.

DIMENSIONS



LABELS AND LISTINGS

UL Listed.



Michaelangelo Framing Projector.

Catalog No.	Min. - Max Wattage	Finishes	Style
NTL-313	20W - 50W	S = Silver	H-Style

Create a complete track head number: Example: NTL - 313S