

Type
Project
Catalog No.
Lamp/Wattage

NTL-320 (Low Voltage Track)
MR16 European Style Stockholm™
 Lamp: 20W - 50W Halogen MR16

PRODUCT DESCRIPTION

Low voltage die cast aluminum lamp holder. Finished in silver for contemporary effect.

FEATURES

- Die cast aluminum body provides superior strength and rigidity.
- Low profile, aesthetic design.
- Completely concealed wiring.
- High-strength stainless steel electrical contacts.
- One or two circuit track capable.

CONSTRUCTION

Body Assembly

Main body die cast aluminum housing. Vertical stem conceals wiring and connects lamp holder with swivel to transformer. Two stainless steel screws secure a porcelain base socket.

Stem

0.042 Silver finished hollow steel stem carries wiring from fixture to transformer. Stem provides horizontal or pan angle aiming of fixture.

Contact Head Assembly

Three .030 stainless steel contacts mounted to integral transformer.

Socket

Porcelain socket for GU5.3 12V MR16 protected lamp.

Lamp

20W - 50W 12V MR16 halogen lamp with integral protective cover (not included).

One/Two Circuit Conversion

Positive contact (opposite neutral and ground contacts) is preset to "down" position at factory but may be raised to the higher position to install onto the second circuit of Nora Lighting NT- 2300 series two-circuit track.

ELECTRICAL SYSTEM

1. Transformer – Solid-state electronic transformer provides noise-free voltage reduction and operation. If dimming, use electronic low voltage rated only dimming controls.

*If dimming, lamp manufacturers recommend burning the lamp at full power for 100 consecutive hours prior to using dimming control. Failure to apply this precaution may reduce lamp life.

2. Wiring - Teflon coated wire lead connects socket and housing to electrical contact head.

Teflon coating is durable and resists heat degradation from lamp and housing radiation.

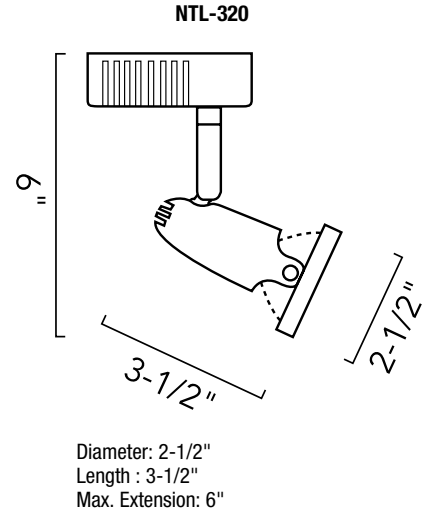
FINISHES

Transformer is black; remainder of fixture is silver powder coat.

LABELS AND LISTINGS

UL Listed.

DIMENSIONS



European style Stockholm™ low voltage track

Catalog No.	Min. - Max Wattage	Finishes	Style
NTL-320	20W - 50W	S = Silver	H-Style

Create a complete track head number: Example: NTL - 320S