

## FLGA1

### Features and Specifications

#### Applications

Streets and facility perimeter lighting.

#### Features

- Slim architectural design.
- Measuring angle disc for precision mounting.
- Sag glass lens.
- Photo cell compatible.

#### Certification & Listings

- UL Listed.
- DesignLights Consortium® qualified luminaire.
- RoHS.

#### Construction

Die cast aluminum housing with architectural bronze UV resistant outdoor powder coated finish. Integrated cooling fins to release heat efficiently to extend the life of LED chips and driver.

#### Electrical

Available in 120v-277v.

#### Rated Life

50,000 hours L70.

#### Warranty

Orion LED fixtures are covered by a five-year limited warranty. Accessories and individual components are covered by separate OEM supplier warranties.



### Part Numbering Example

Product Series	Nominal Lumens	Voltage	Driver Type	Lens Type	Light Distribution Type	Mounting Option	CRI; Color Temperature	Sensor Option
<b>FLGA1</b>	<b>080L</b>	<b>UNV</b>	<b>NDX</b>	<b>F</b>	<b>N7</b>	<b>SFB</b>	<b>750</b>	<b>PE1</b>

### Ordering Information

Product Series	Nominal Lumens	Voltage	Driver Type	Lens Type	Light Distribution Type	Mounting Option	CRI; Color Temperature	Sensor Option
<b>FL=</b> Flood Lighter	<b>080L=</b> 8,000 lm	<b>UNV=</b> 120-277v	<b>NDX=</b> Non-Dimming	<b>F=</b> Flood Sag Glass Lens	<b>N7=</b> NEMA 7	<b>SFB=</b> Slip-fitter <b>TMB=</b> Trunnion <b>UBR=</b> U-bracket*	<b>750=</b> 70 CRI; 5000K	<b>PE1=</b> Photo cell
<b>G=</b> G Series	<b>120L=</b> 12,000 lm							
<b>A=</b> Architectural	<b>140L=</b> 14,000 lm							
<b>1=</b> Generation 1	<b>170L=</b> 17,000 lm							

### Mounting Option Selection



Trunnion



Slip-fitter



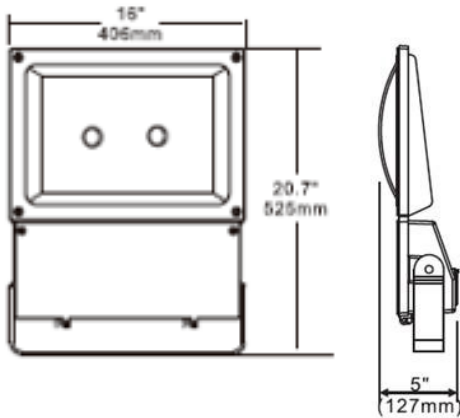
U Bracket



### Physical and Performance Information<sup>1</sup>

Product Series	Input Voltage	Wattage	Actual Lumens	LPW	CCT	Power Factor	CRI	Length	Width	Depth	Weight
FLGA1-080L	120-277v	77w	8,795 lm	114	5000K	.98	≥70	20.70"	16.00"	4.00"	19.00 lbs.
FLGA1-120L	120-277v	115w	12,548 lm	109	5000K	.98	≥70	20.70"	16.00"	4.00"	19.00 lbs.
FLGA1-140L	120-277v	147w	14,850 lm	101	5000K	.98	≥70	20.70"	16.00"	4.00"	19.00 lbs.
FLGA1-170L	120-277v	172w	17,180 lm	100	5000K	.98	≥70	20.70"	16.00"	4.00"	19.00 lbs.

### "F" Sag glass lens



### Additional Specification Information

<sup>1</sup> Actual performance may vary by up to +10% of values listed