



WARNING

WARNING — THE INSTALLATION MUST BE CARRIED OUT BY A QUALIFIED ELECTRICIAN.

1. LED Drivers are suitable for using in dry locations
2. Please keep the LED Drivers away from any corrosive substance, and please use dry cloth when you clean it
3. LED Drivers can only be installed by a qualified electrician
4. Before installation or maintenance, please disconnect the power to prevent electric shock

Application Notice

1. Risk of Fire — installation involves special wiring methods to run wiring through a building structure, so consult a qualified electrician
2. DO NOT exceed 48W per circuit. Be sure all 12V DC connections are made inside 12V DC side of LED Driver
3. CAUTION — make sure all 120V AC connections are made inside 120V AC side of transformer box
4. Mount the unit at a height greater than 1 foot from the ground surface. Prevent to reverse polarity
5. Risk of Electric Shock — when used outdoors, install only on a circuit protected by a Class A GFCI
6. Installation of this transformer MUST comply with local building codes

CAUTION

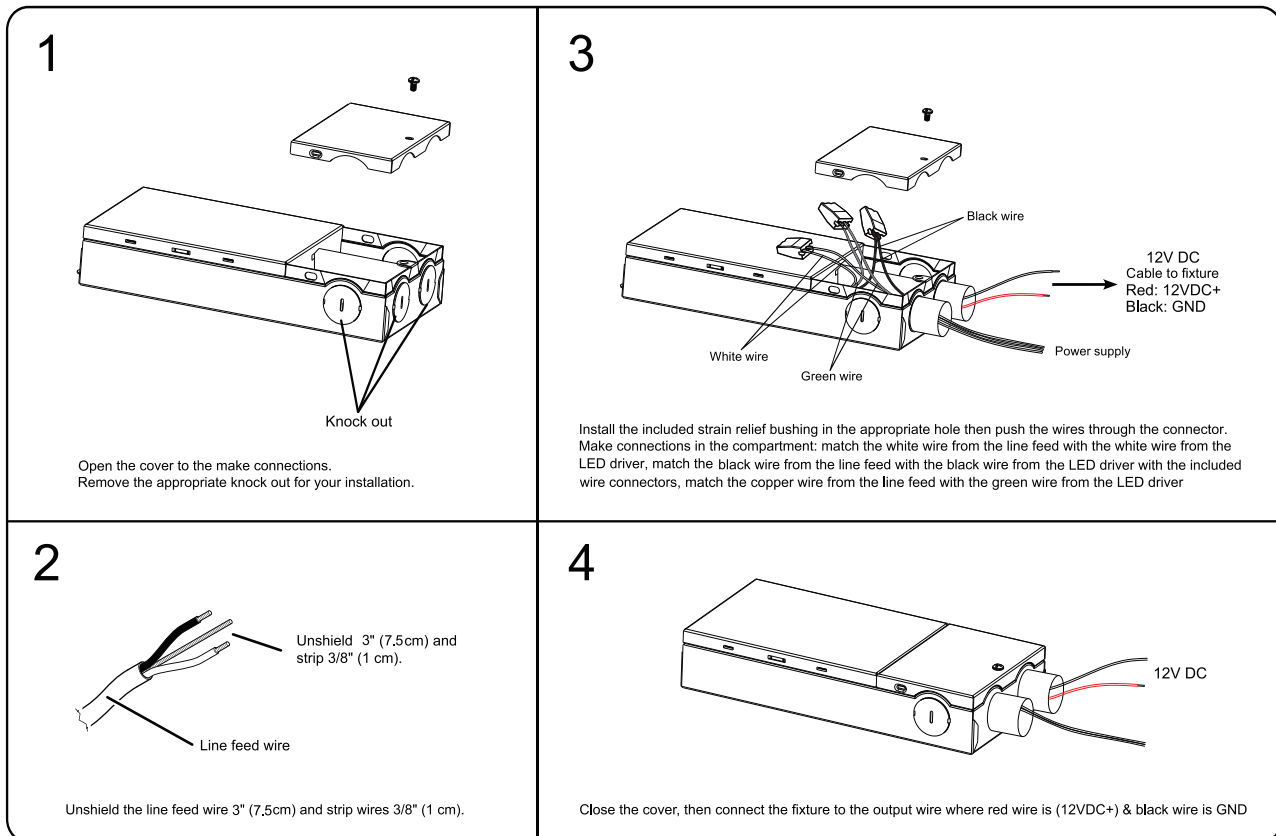
PLEASE READ INSTRUCTION BEFORE COMMENCING INSTALLATION AND RETAIN FOR FUTURE REFERENCES.

Electrical products can cause death or injury, or damage to property.

If in any doubt about the installation or use of this product, consult a competent electrician.

INSTALLATION GUIDE

Instructions for Using Transformers and Drivers



ORTECH reserves the right to modify at any time, without notice, any or all of our product's features, designs, components and specifications to meet market changes.