

LED SLIM LIGHTS

SLIM4FL+FR-5CCT | SLIM6FL+FR-5CCT

WARNING

WARNING — THE INSTALLATION MUST BE CARRIED OUT BY A QUALIFIED ELECTRICIAN.

- LED Slim Lights are suitable for indoor use only. DO NOT use outdoors
- Please keep the LED Slim Lights away from any corrosive substance, and please use dry cloth when you clean them
- LED Slim Lights can only be installed by a qualified electrician
- Before installation or maintenance, please disconnect the power to prevent electric shock

APPLICATION NOTICE

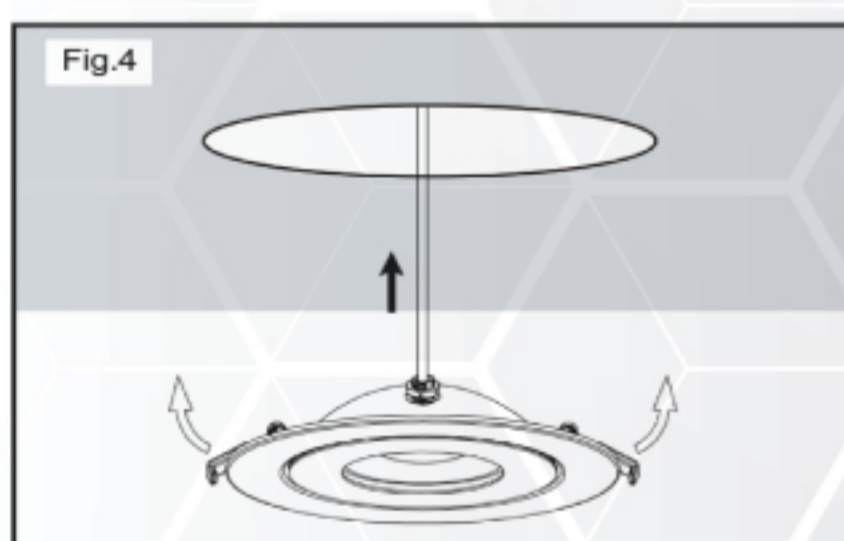
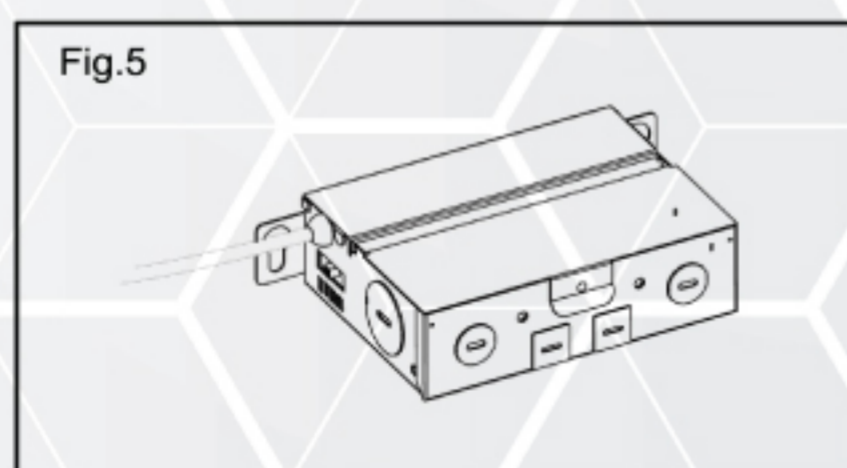
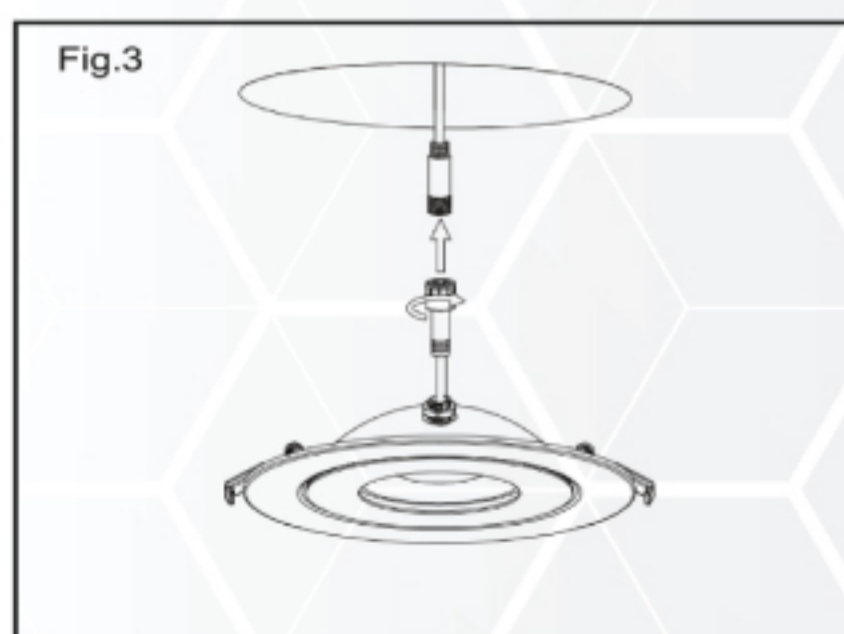
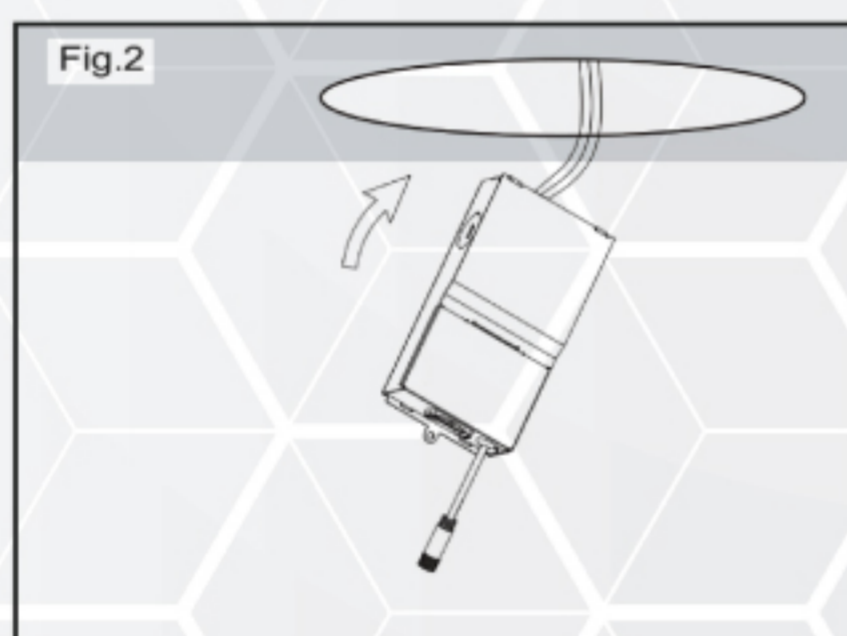
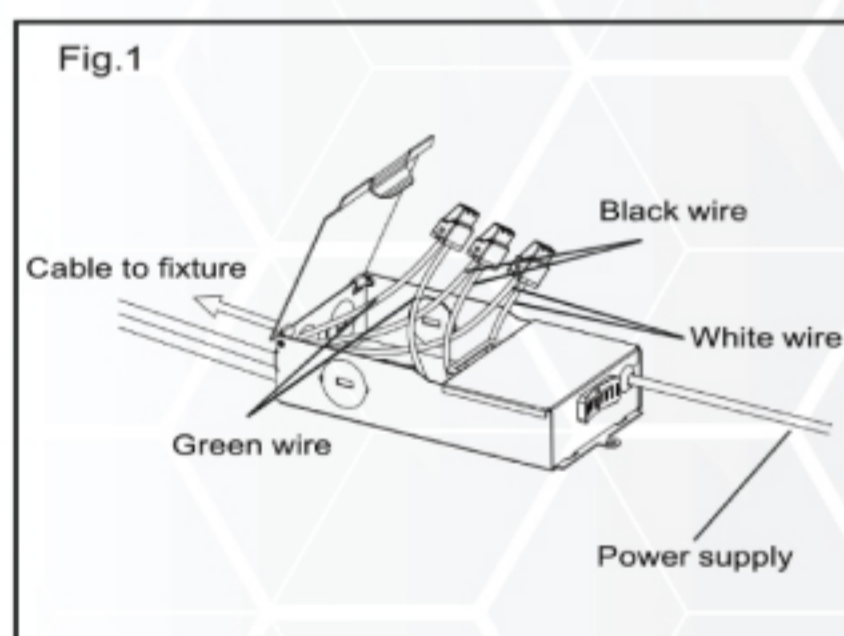
- For your safety, this fixture **MUST** be wired in accordance to electrical codes and ordinances
- **DO NOT** open the light fixture and the side plates of driver — no serviceable part inside
- **DO NOT** use any other driver except the ones advised by the supplier
- **DO NOT** connect multiple fixtures to one driver

CAUTION

PLEASE READ INSTRUCTION BEFORE COMMENCING INSTALLATION AND RETAIN FOR FUTURE REFERENCES.

Electrical products can cause death or injury, or damage to property. If in any doubt about the installation or use of this product, consult a competent electrician.

INSTALLATION GUIDE



HOLE CUT SIZE

SLIM4FL+FR-5CCT: Ø4-1/4" (108mm)
SLIM6FL+FR-5CCT: Ø5-1/2" (140mm)



DRIVER WIRING:

STEP 1: Open the hardwire box swing cover and remove the appropriate knockout(s).

STEP 2: Insert the electrical supply cable through the knockout and secure with a cable connector (sold separately).

STEP 3: Using wire nuts, connect green ground wire of cable to green wire on box. Connect white wire of cable to white wire of box. Connect black wire of cable to black wire of box (**Fig. 1**)

STEP 4: Place all wiring and connections back in to the box and close the cover.

STEP 5: Insert hardwire box through the mounting hole. (**Fig. 2**) (Junction box suitable for maximum of 5 No 12 AWG or 8 No 14 AWG conductors)

FIXTURE INSTALLATION:

STEP 1: Connect the fixture to the hardwire box by inserting and twisting the male/female connectors. (**Fig. 3**)

STEP 2: Push spring loaded clips on the fixture upwards and insert fixture base in to the mounting hole. Release the clips and fixture will be pulled flush to the ceiling. (**Fig. 4**)

STEP 3: Once assembly is complete, turn on power to confirm fixture is working properly.