

MODEL PUK SLIM



WARNING

WARNING — THE INSTALLATION MUST BE CARRIED OUT BY A QUALIFIED ELECTRICIAN.

1. LED Puk Lights are suitable for using in damp locations
2. Please keep the LED Puk Lights away from any corrosive substance, and please use dry cloth when you clean it
3. LED Puk Lights can only be installed by a qualified electrician
4. Before installation or maintenance, please disconnect the power to prevent electric shock

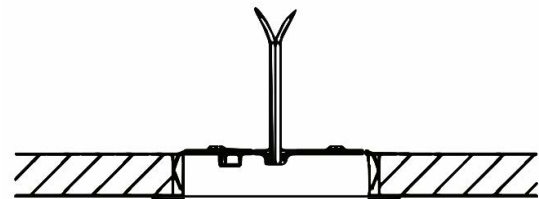
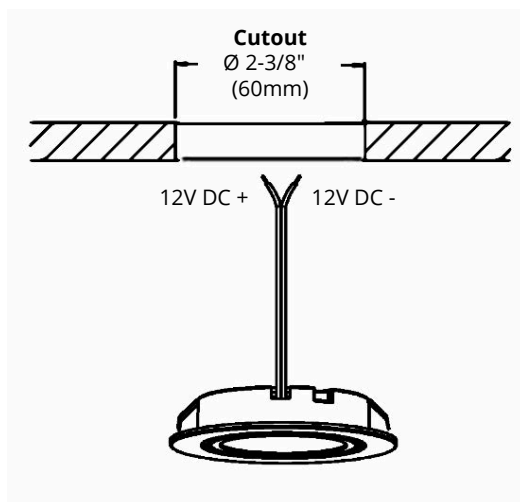
CAUTION

PLEASE READ INSTRUCTION BEFORE COMMENCING INSTALLATION AND RETAIN FOR FUTURE REFERENCES.

Electrical products can cause death or injury, or damage to property.

If in any doubt about the installation or use of this product, consult a competent electrician.

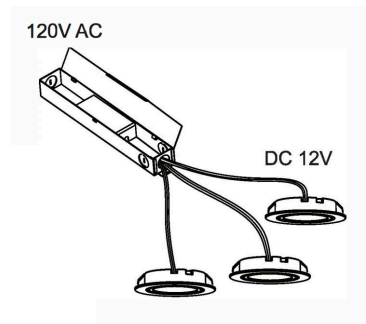
INSTALLATION GUIDE



Diameter of Hole
2-3/8" (60mm)

Refer to the table below to identify which driver is required to power the under cabinet lighting:

Max. number of Puk Lights	Driver Required	Watts
4	OT-08D	8
13	OT-24D	24
50	OT-96	96



ORTECH reserves the right to modify at any time, without notice, any or all of our product's features, designs, components and specifications to meet market changes.