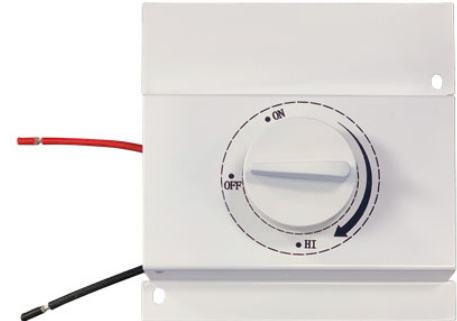


MODEL BTH01

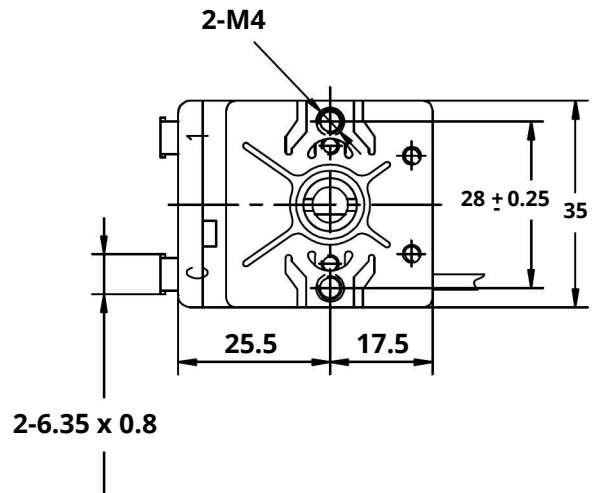
HIGHLIGHTS

- Built-in thermostat
- For base board heaters
- Easy to use with large twist dial
- Eliminates the need for extra wiring



SPECIFICATIONS

- **Wattage:** 1920 Watts at 120V (16 amps)
3328 Watts at 208V (16 amps)
3840 Watts at 240V (16 amps)
- **Voltage:** 120-240V
- **Maximum Setting:** 35°C
- **Operating Temp.:** 10°C to 35°C



| Reference | QTY. | Remarks | Project: |
|-----------|------|---------|---------------|
| | | | Location: |
| | | | Architect: |
| | | | Engineer: |
| | | | Contractor: |
| | | | Submitted by: |
| | | | Date: |