

MODEL FAP-36"x24"

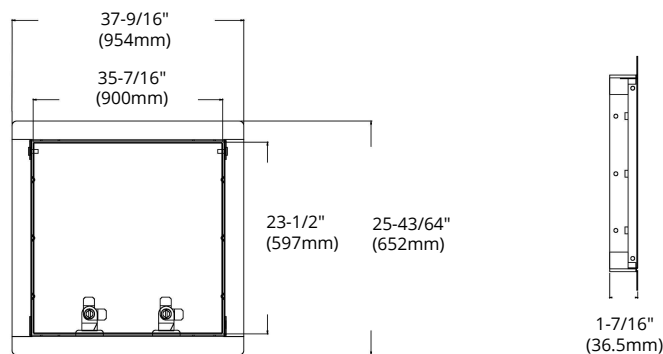


HIGHLIGHTS

- 36 inches by 24 inches Flush Access Panel with welded frame and strong durable bended door lid
- White powder coated finish or coating in special colours provides high durability and corrosion protection
- With its concealed hinge, the door leaf can be opened from either left or right
- Good value for all plumbing, electrical, mechanical applications
- Easy installation — no further painting required
- Screwdriver operated cam latch

Model	FAP-36"x24"
Construction	Steel welded, with white powder coated finish or coating in special colours
Hinge	Concealed — makes door leaf opening from either left or right possible
Frame	Welded
Door Lid	Bended — contributes to strength and durability
Cam Latch	Screwdriver operated
Applications	All Plumbing / Electrical / Mechanical applications

DIMENSIONS



Reference	QTY.	Remarks	Project:
			Location:
			Architect:
			Engineer:
			Contractor:
			Submitted by:
			Date: