

## LED FLUSH MOUNTS

FM1-MS5-5CCT | FM1-MS7-5CCT | FM1-MS9-5CCT

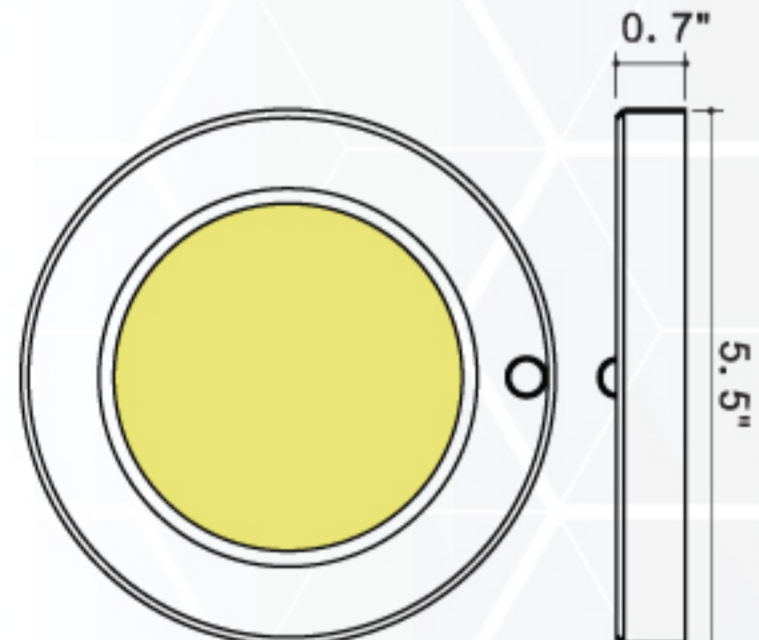
### HIGHLIGHTS

5", 7" and 9" Flush Mounts With PIR Motion Sensor & Adjustable CCT

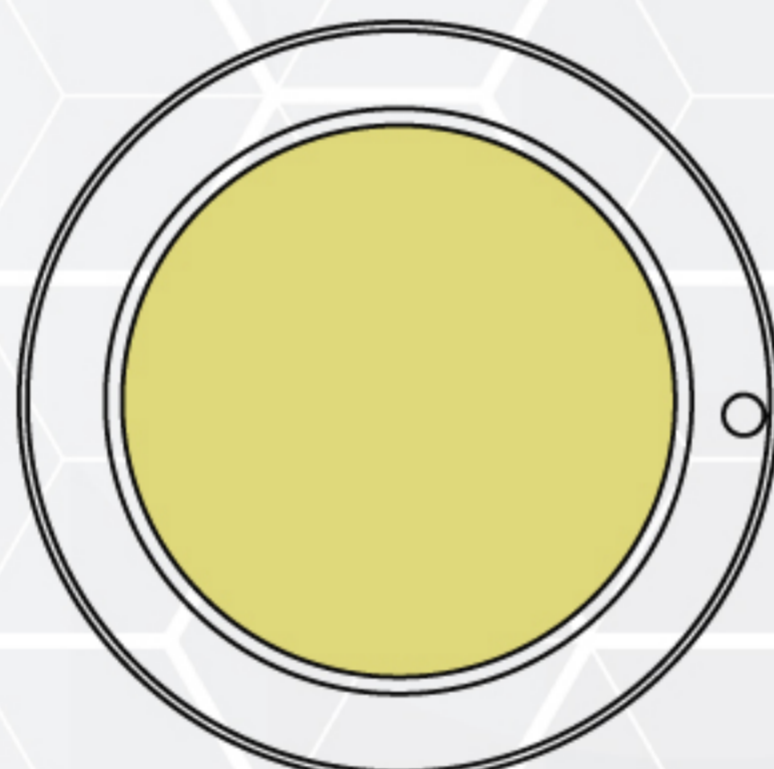
- Intergrated PIR Sensor
- Turn off 100% after 30 Seconds
- Edge-lit technology, no glare or dark spots, instant-on
- This 0.7" thick luminaire is easy to install on standard J-boxes with mounting bracket
- Construction: PC lamp body with white translucent acrylic lens
- Rated for long life - over 50,000 hours



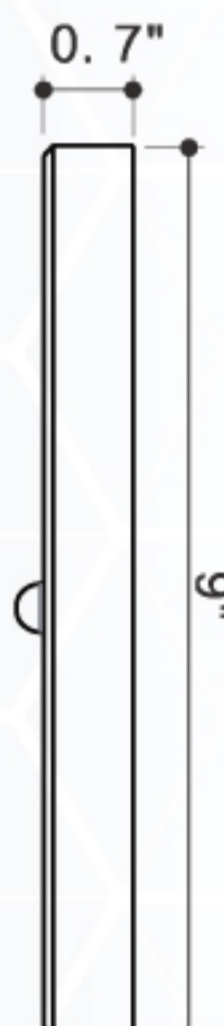
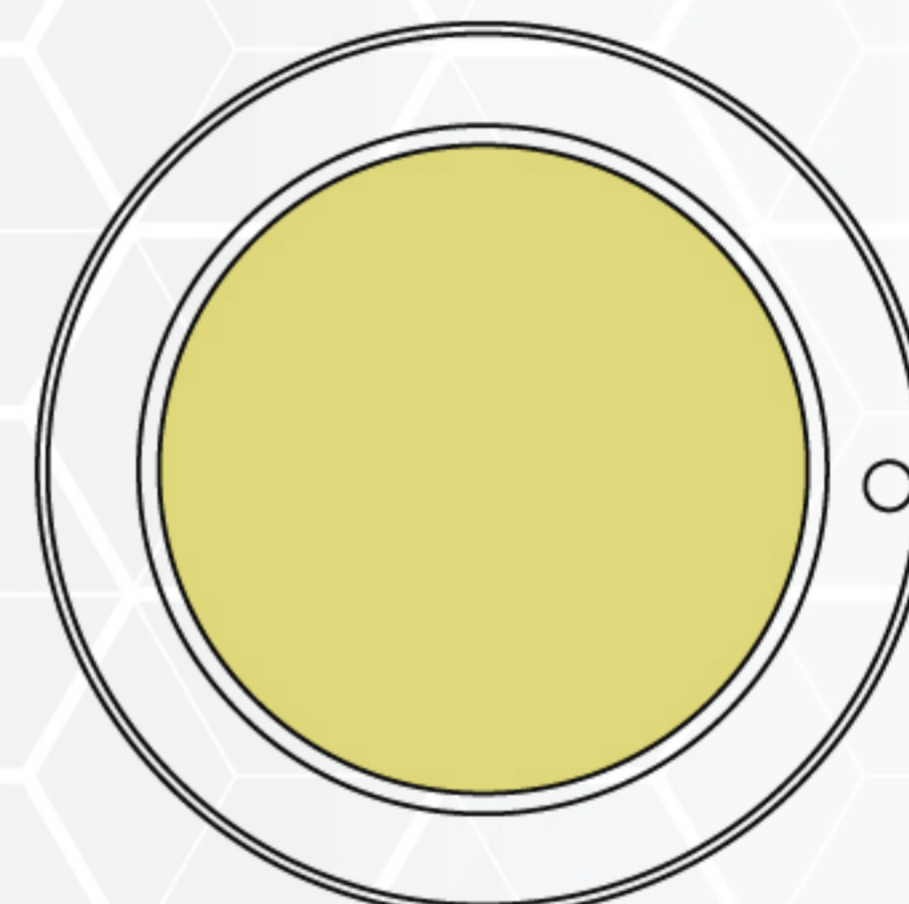
### DIMENSIONS



5"



7"



9"



### SPECIFICATIONS

Model	FM1-MS5-5CCT	FM1-MS7-5CCT	FM1-MS9-5CCT
Wattage	10W	15W	18W
Voltage	AC120V, 60Hz		
Lumens	600lm	1000lm	1400lm
Beam Angle	110°		
Lifetime	50000 hours		
Air Tight	Yes		
Rating	IC rated   Damp location		
Grade of Protection	IP54		
CRI	80Ra+		
Colour Temp.	2700K / 3000K / 3500K / 4000K / 5000K		
Dimming	Triac Dimming		
Application	Corridors / Lobbies / Kitchens / Bathrooms / Bedrooms		
Operating Temp.	-20°C ~ +40°C		

## LED FLUSH MOUNTS

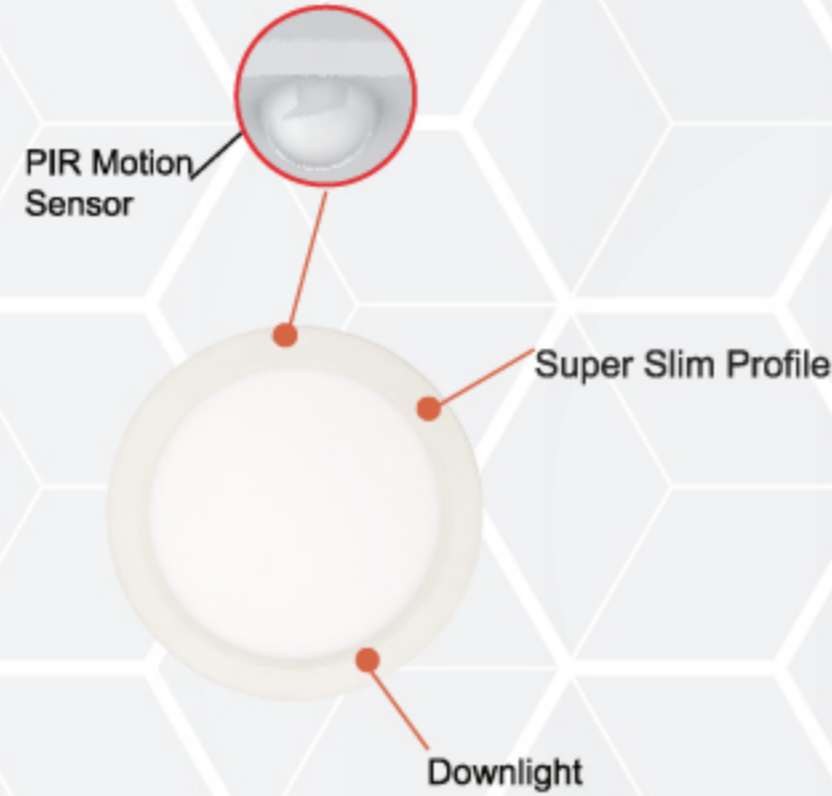
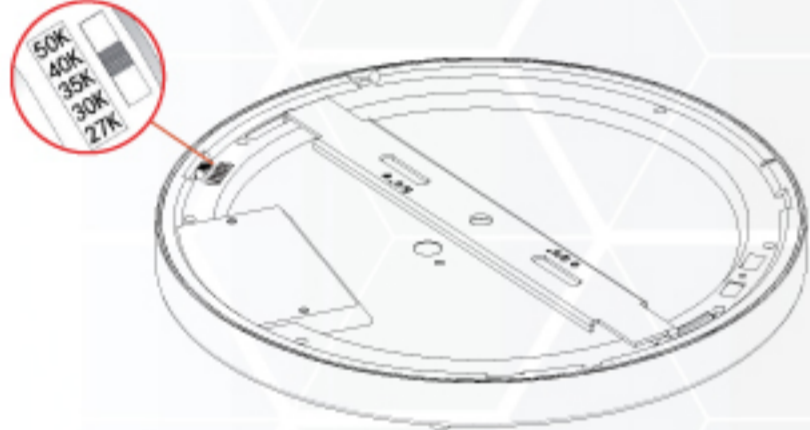
FM1-MS5-5CCT | FM1-MS7-5CCT | FM1-MS9-5CCT

### PIR MOTION SENSOR



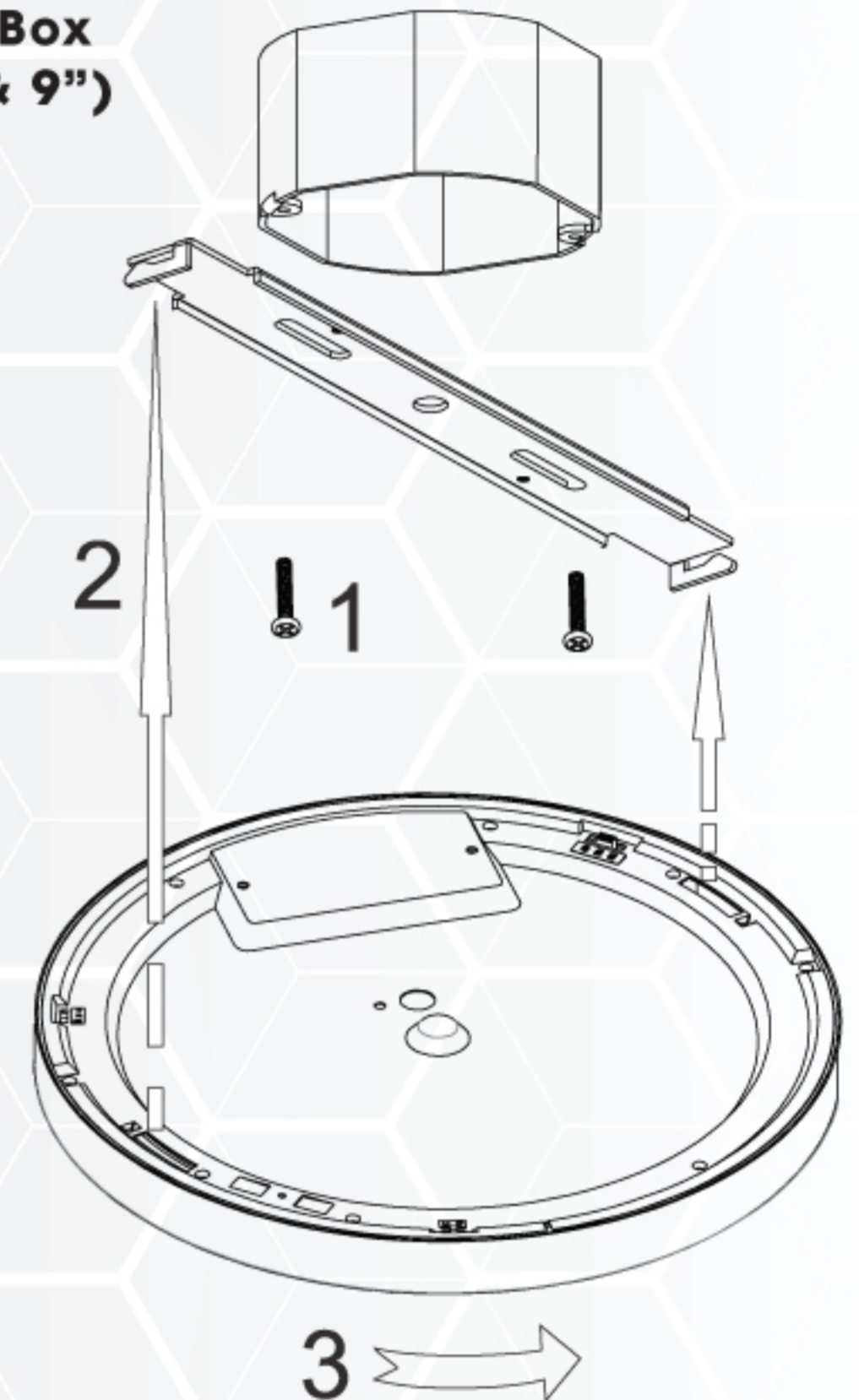
PIR Motion Sensor

5-CCT Selectable



### INSTALLATION

3" & 4" J-Box  
(5" & 7" & 9")



### INCLUDED IN BOX

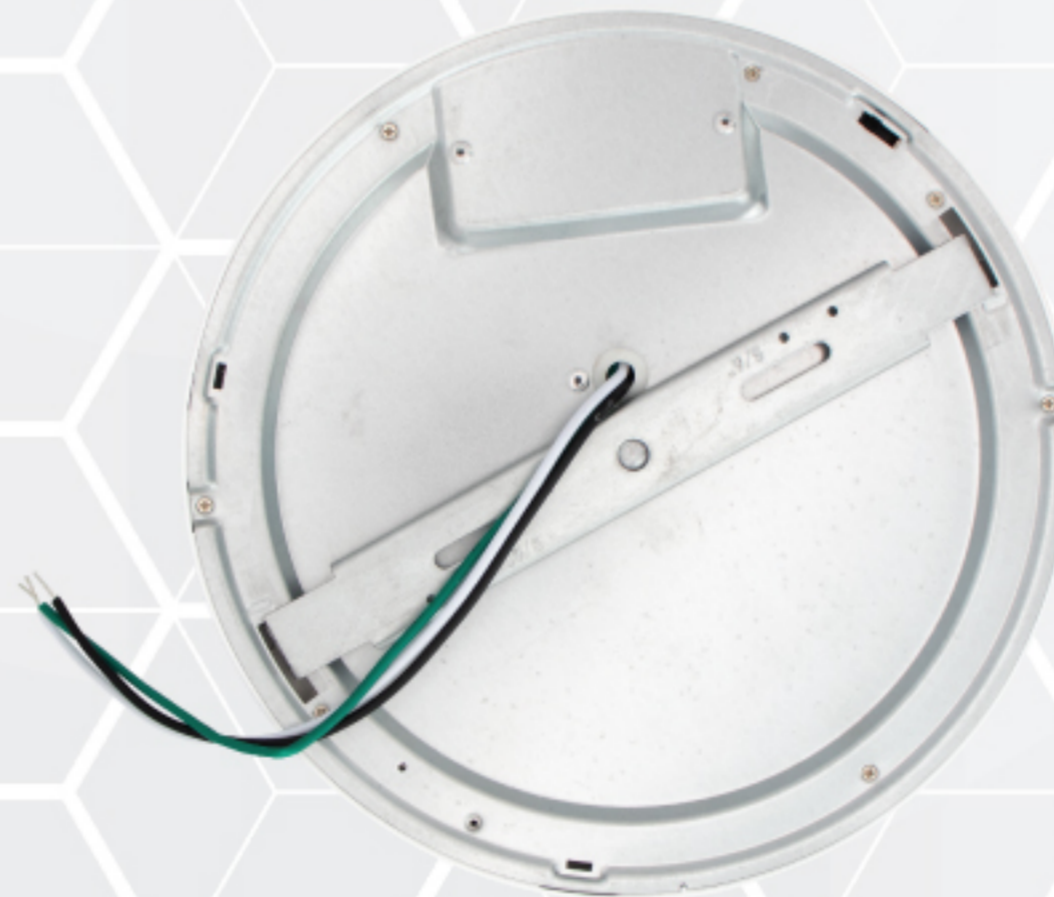
- 5" & 7" & 9" Plastic Round Slim Surface
- Two Mounting Screws
- Three Wire Nuts
- 1 mounting bracket



Mounting Screws



Wire nut



Reference	QTY.	Remarks	Project:
			Location:
			Architect:
			Engineer:
			Contractor:
			Submitted by:
			Date:

ORTECH reserves the right to modify at any time, without notice, any or all of our product's features, designs, components and specifications to meet market changes.