

Replacement Grille

PART # OD-G0809

HIGHLIGHTS

- Available in white colour
- 9" polymeric replacement grille
- Torsion springs included for easy installation



Compatible Fans (sold separately)



**ODM-5004
ODM-8010**

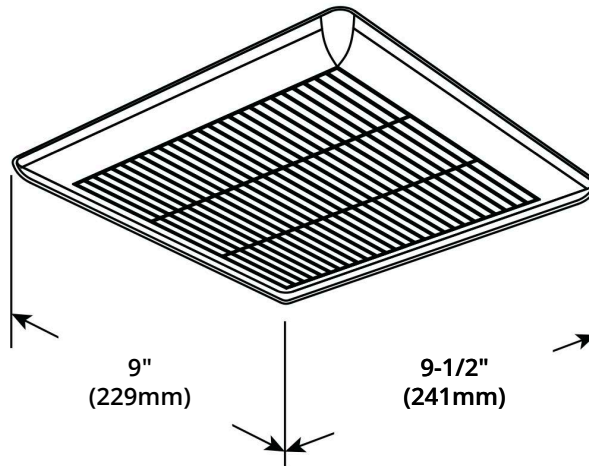
Micro Compact Series



**ODE-5004 | ODE-8010
ODE-9015**

Micro Compact Series

DIMENSIONS



Reference	QTY.	Remarks	Project:
			Location:
			Architect:
			Engineer:
			Contractor:
			Submitted by:
			Date:

ORTECH reserves the right to modify at any time, without notice, any or all of our product's features, designs, components and specifications to meet market changes.