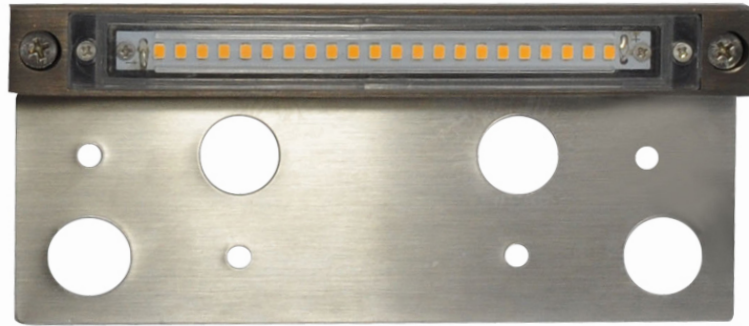


# LED Landscape Lighting — Hardscape Lights

## MODEL OD-HSB201



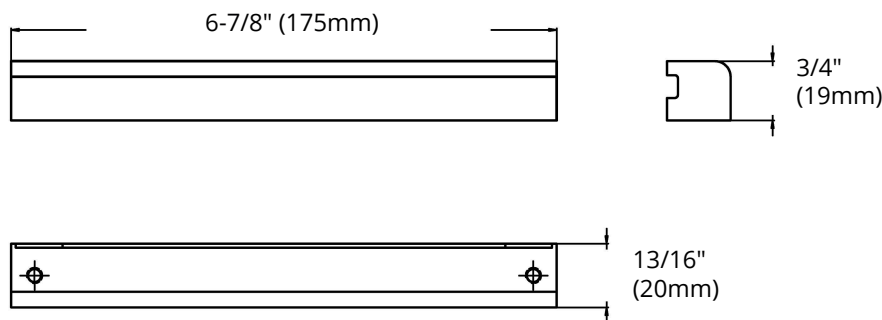
### HIGHLIGHTS

- LED hardscape light with solid brass housing
- Enhances the colours and shapes of the hardscape area being lit
- Can be mounted under a horizontal cap or flush to a vertical or horizontal surface

### SPECIFICATIONS

Model	<b>OD-HSB201</b>
Wattage	4W
Voltage	12V AC/DC
Housing	Solid brass
Lens	Clear
Wiring	3'18/2 UL wire, SPT-2W leads
Mounting Access	3pcs stainless steel bracket
Colour Temp.	2700K (Warm White)
Operating Temp.	-25°C ~ +40°C
Warranty	5 years

### DIMENSIONS



Reference	QTY.	Remarks	Project:
			Location:
			Architect:
			Engineer:
			Contractor:
			Submitted by:
			Date:

ORTECH reserves the right to modify at any time, without notice, any or all of our product's features, designs, components and specifications to meet market changes.