

LED Landscape Lighting — Step Lights

MODEL OD-STB201



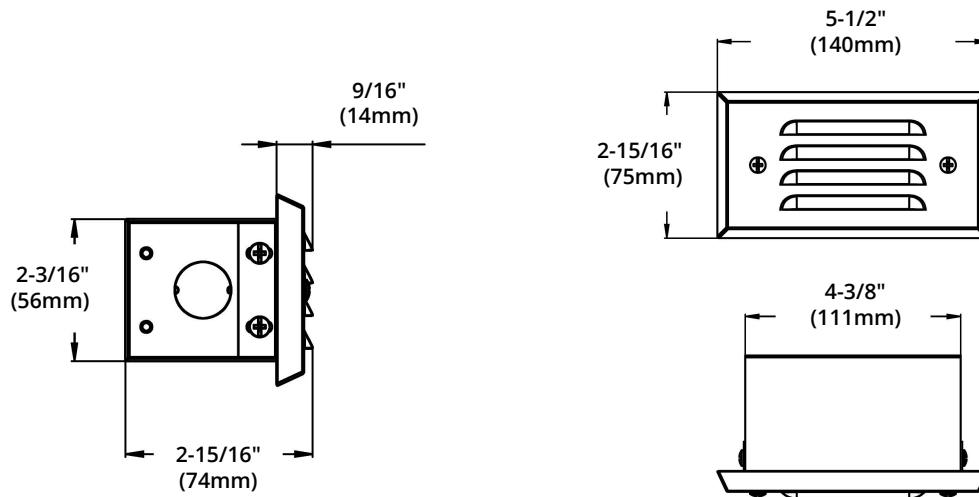
HIGHLIGHTS

- Provides security, warmth and home guide
- Designed for safety by clearly guiding the steps
- LED step light with frosted, louvered face plate lens

SPECIFICATIONS

Model	OD-STB201
Voltage	12V AC/DC
Housing	Solid brass
Lamp Base	GU5.3 Bi-pin base
Lamp	12V G4 bulb (not included)
Lens	Frosted lens, Louvered face plate
Wiring	3'18/2 UL wire, SPT-2W leads
Operating Temp.	-25°C ~ +40°C
Warranty	5 years

DIMENSIONS



Reference	QTY.	Remarks	Project:
			Location:
			Architect:
			Engineer:
			Contractor:
			Submitted by:
			Date:

ORTECH reserves the right to modify at any time, without notice, any or all of our product's features, designs, components and specifications to meet market changes.