

# LED Landscape Lighting — Uplights

## MODEL OD-UPB203



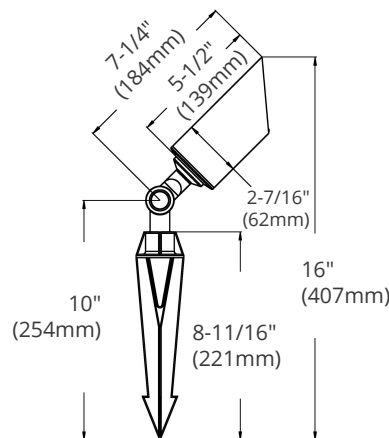
### HIGHLIGHTS

- Antique brass colour thumb
- LED uplight with spring socket lamp base
- Provides beautiful accents to trees, columns and architectural features
- Shines light upward to illuminate an object or surface for dramatic effect
- Accentuates key focal points in the landscape and to create shadows on walls

### SPECIFICATIONS

|                 |                                  |
|-----------------|----------------------------------|
| Model           | <b>OD-UPB203</b>                 |
| Voltage         | 12V AC/DC                        |
| Housing         | Solid brass                      |
| Lamp Base       | GU5.3 Bi-pin base, Spring socket |
| Lamp            | 12V MR16 bulb (not included)     |
| Lens            | Convex glass                     |
| Wiring          | 3'18/2 UL wire, SPT-2W leads     |
| Mounting Access | Regular PVC stake                |
| Operating Temp. | -25°C ~ +40°C                    |
| Warranty        | 5 years                          |

### DIMENSIONS



| Reference | QTY. | Remarks | Project:      |
|-----------|------|---------|---------------|
|           |      |         | Location:     |
|           |      |         | Architect:    |
|           |      |         | Engineer:     |
|           |      |         | Contractor:   |
|           |      |         | Submitted by: |
|           |      |         | Date:         |

ORTECH reserves the right to modify at any time, without notice, any or all of our product's features, designs, components and specifications to meet market changes.