



HIGHLIGHTS

- Very quiet fan for ceiling or wall mounted Hold and ETL evaluation and conform to UL and cUL safety standards. HVI and ENERGY STAR® certified
- It comes with a capacitor start motor which is known for its high efficiency and long lasting reliability. It holds an ETL evaluation and conforms to UL and cUL safety standards

SPECIFICATIONS

Model	ODC-1008		ODC-8003	
Static Pressure in inches w.g.	0.1	0.25	0.1	0.25
Air Volume (CFM)	100	100	80	62
Noise (sones)	0.8	N/A	< 0.3	0.9
Fan Watts	23W		18W	
Duct Diameter	4"			
Power Rating (V/Hz)	120/60			

- **Housing Size:** 8-1/2" x 9" x 5-3/4" (216 mm x 229 mm x 146 mm)
- **Grille Dimensions:** 11-13/16" x 11-7/16" (300 mm x 290 mm)
- **Fan Weight:** 7.4 lb

HOUSING

- Made of rugged 26 GA galvanized steel
- Detachable 4 inch polymeric collar which includes a light weight built-in back draft damper

MOTOR / BLOWER

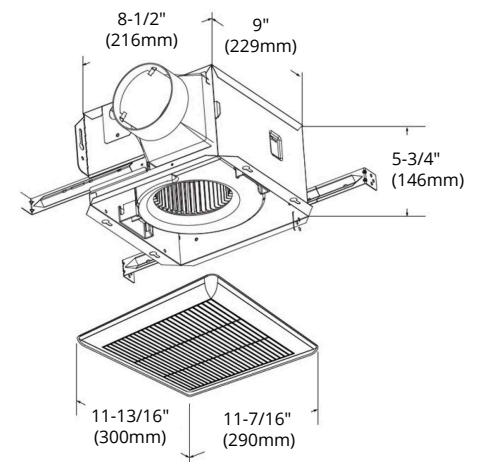
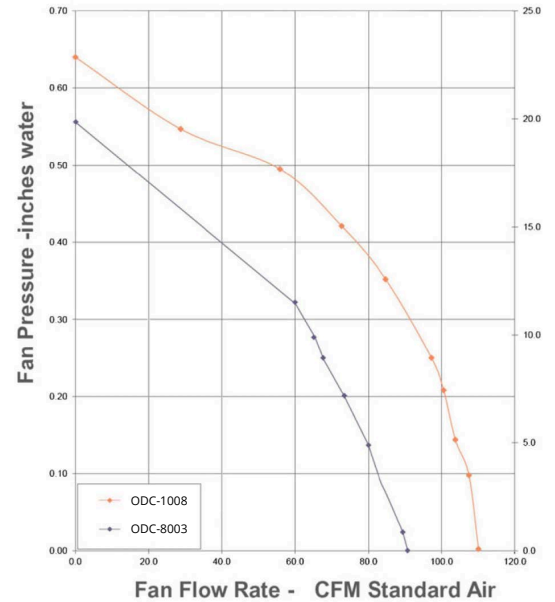
- Plug in permanently lubricated motor — Engineered for continuous operation
- Motor comes with a built-in overload disconnect for safety and longer motor life

GRILLE

- The grille is low profile that has elegance and still able to maintain its simplicity

TYPICAL SPECIFICATIONS

- Ceiling ventilator shall have corrosion resistance galvanized steel
- It shall be ducted to a roof vent or wall cap using 4 inch round pipe
- Blower assembly shall be removable, have a centrifugal type blower wheel and a permanently lubricated motor designed for continuous operation
- Includes an attachable non-metallic collar with built-in back draft damper
- Air and sound delivery meet the ENERGY STAR® certified ratings as per the fan curves attached



Reference	QTY.	Remarks	Project:
			Location:
			Architect:
			Engineer:
			Contractor:
			Submitted by:
			Date: