

LED Puk Lights

MODEL PUK M3G



HIGHLIGHTS

3W 12V DC mini LED puk downlight made of gimbal for indoor use only

- Ready / Safe to use & easy to install
- Perfect for illuminating areas such as cabinet, closet, shelf, corridor or even a wine bar
- Energy Efficient: each LED cabinet light equals to a 35W incandescent fluorescent or halogen lamp, saving 90% electric power at the least
- High Brightness: CRI over 80+1 of each LED puk light, the under cabinet light kits providing enough brightness for your normal illumination

SPECIFICATIONS

| | |
|-------------------|---|
| Model | PUK M3G |
| Power Consumption | 3W |
| Voltage Range | 12V DC |
| CRI | >80 |
| Lumens | 210lm |
| Beam Angle | 30° |
| Color Temperature | 3000K(warm white) 5000K(cool white) |
| Dimming | Dimmable with compatible electronic transformer and trailing edge dimmers |
| Frequency Range | 50/60Hz |
| Product Finish | White, Brush, Nickel, Black |
| LED Type | SMD power LED |
| Lifetime | 50000 hrs |
| Warranty | 3 Years |

COLORS AVAILABLE



White
(PUK M3G WH)



Satin
(PUK M3G SN)

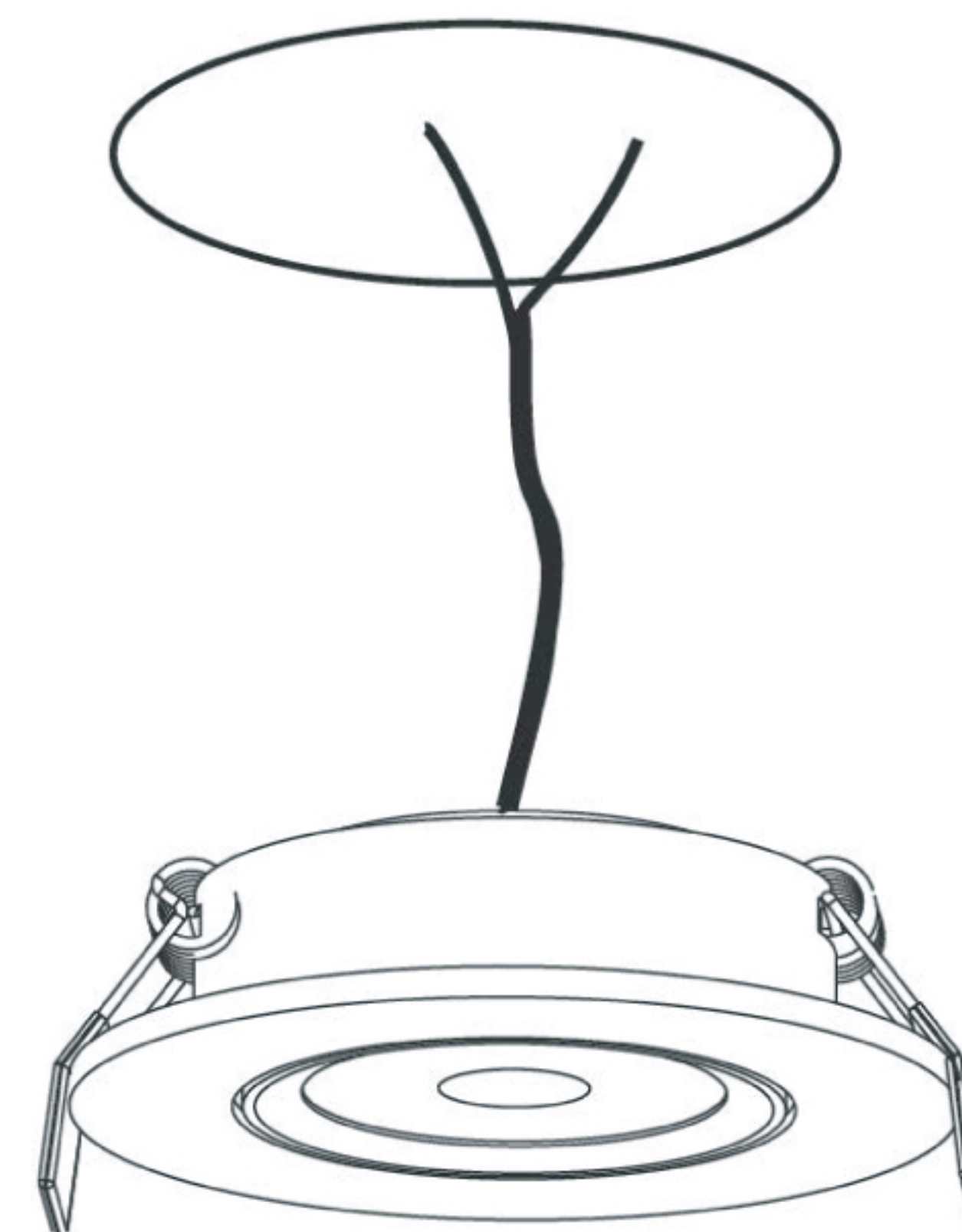
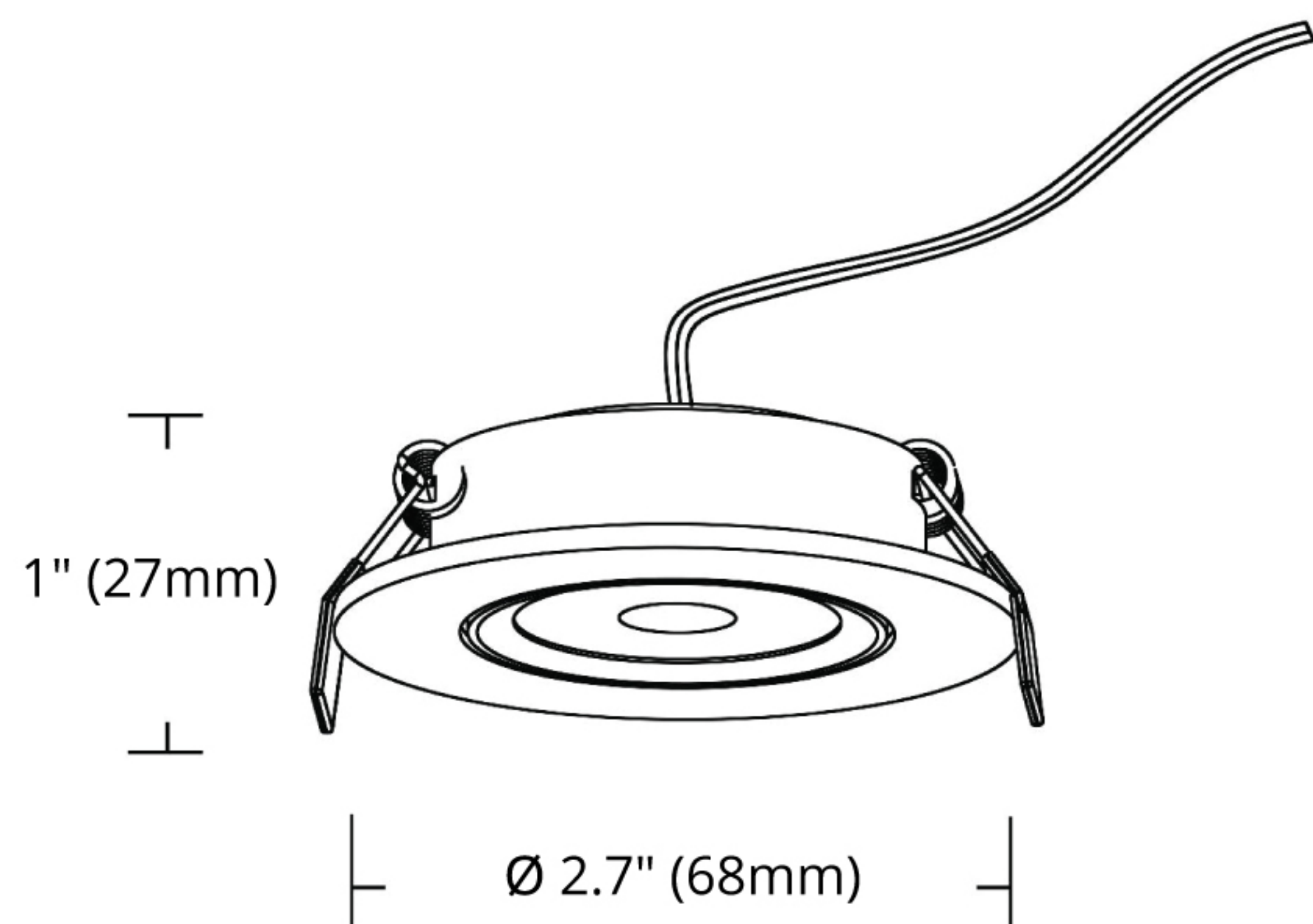


Black
(PUK M3G BK)

LED Puk Lights

MODEL PUK M3G

DIMENSIONS



Installation
(Recessed Mounting)

Diameter of Hole
Ø 2.1" (55 mm)

COMPATIBLE DRIVERS (SOLD SEPARATELY)



OT-08D

Max. 8W
Class 2 Driver



OT-15D

Max. 15W
Class 2 Driver



OT-24D

Max. 24W
Class 2 Driver



OT-48D

Max. 48W
Class 2 Driver



OT-60D

Max. 60W
Class 2 Driver



OT-96

Max. 96W
Class 2 Driver

| Reference | QTY. | Remarks | Project: |
|-----------|------|---------|---------------|
| | | | Location: |
| | | | Architect: |
| | | | Engineer: |
| | | | Contractor: |
| | | | Submitted by: |
| | | | Date: |

ORTECH reserves the right to modify at any time, without notice, any or all of our product's features, designs, components and specifications to meet market changes.