

LED Shoe Boxes

MODEL SB150-3CCT+W | SB300-3CCT+W



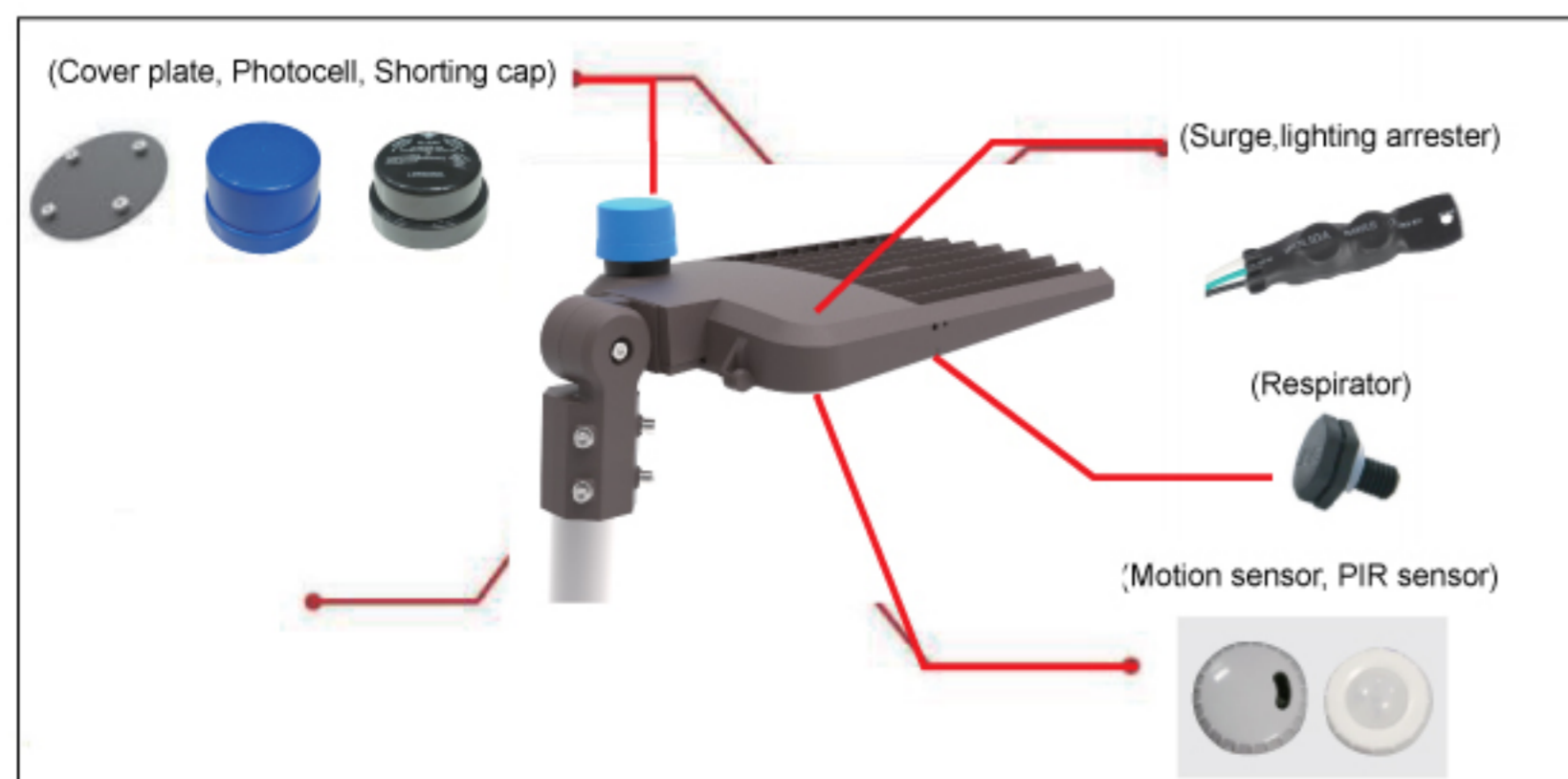
HIGHLIGHTS

- High efficiency LED Driver, AC120-347V, Surge protection: 6KV
- Lumileds LED high luminous efficiency and long life
- Cast aluminium design, better cooling and easy replacement, light quality, LEDTj<185°F.
- Excellent optical design, greatly improve the light utilization and evenness
- Special designed rotatable lens, suitable for more applications.
- Photocell control, Motion sensor, PIR sensor available.

SPECIFICATIONS

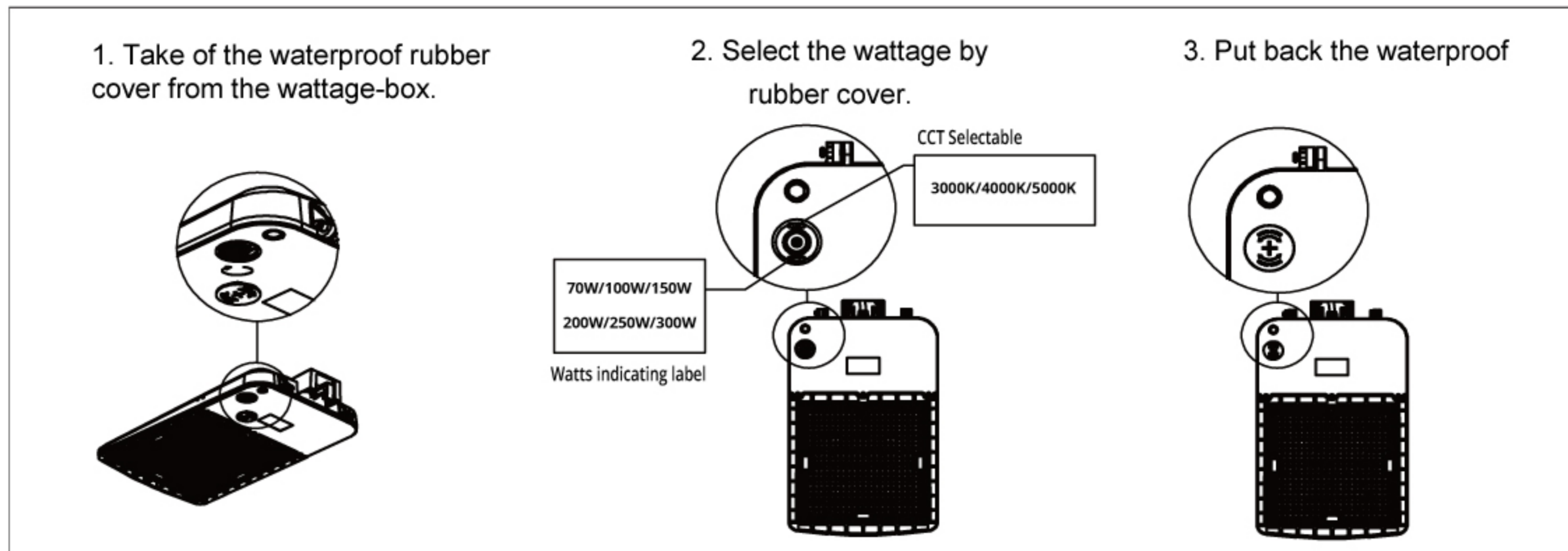
Model	SB150-3CCT+W	SB300-3CCT+W
Wattage	70W/100W/150W	200W/250W/300W
Voltage	AC 120-347V	
Frequency	50/60Hz	
Application	Warehouses / Gymnasiums / Industrial spaces, etc.	
Lifetime	≥50000 hours	
Lighting Efficiency	130LM/W	
CRI	Ra>80	
Location	Wet Location	
Beam Angle	TYPE -M / TYPE IV-S / TYPE V	
Color Temp.	3000K/4000K/5000K	
Operating Temp.	-40°C~45°C	

EXTENDED FUNCTION

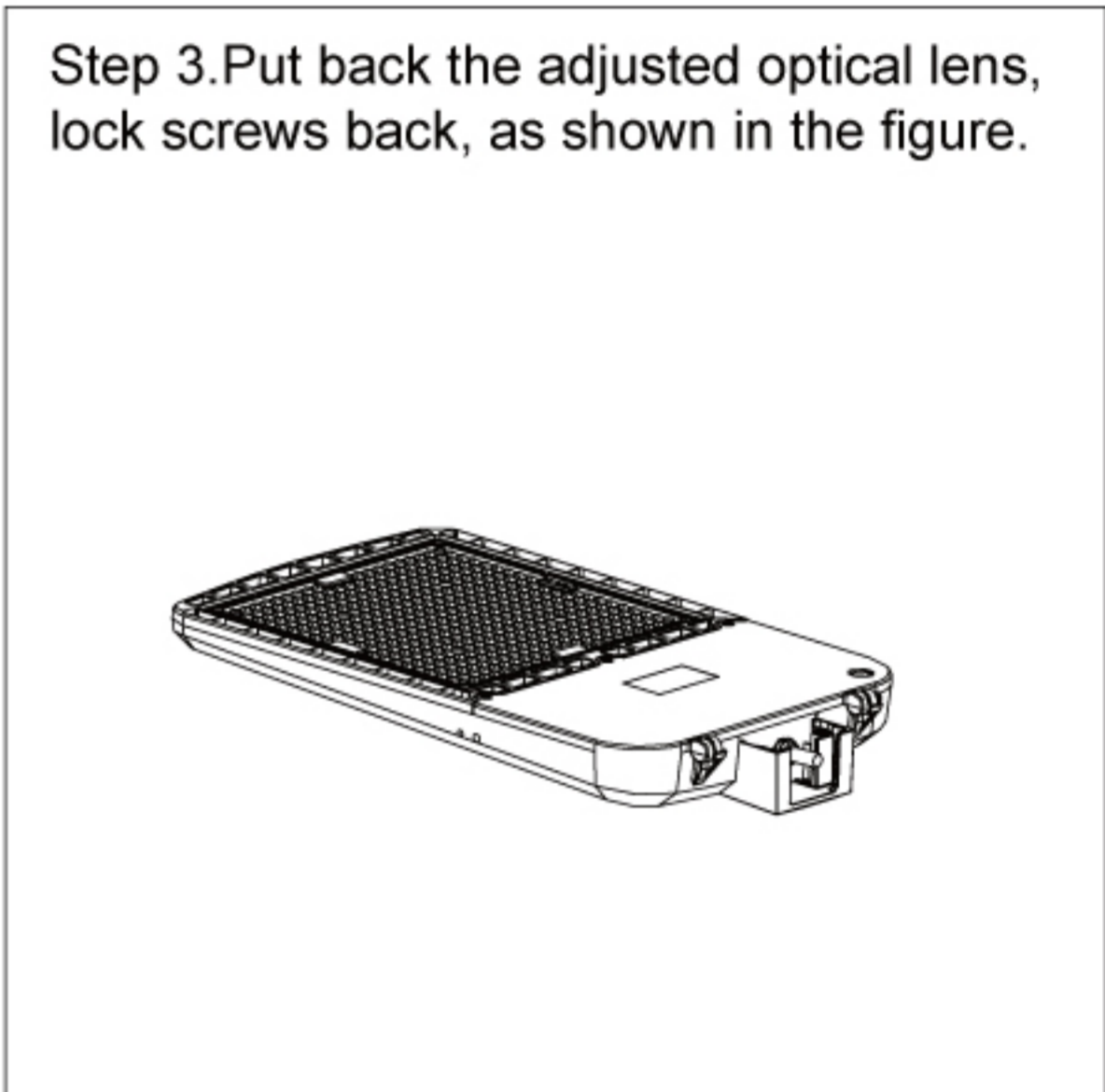
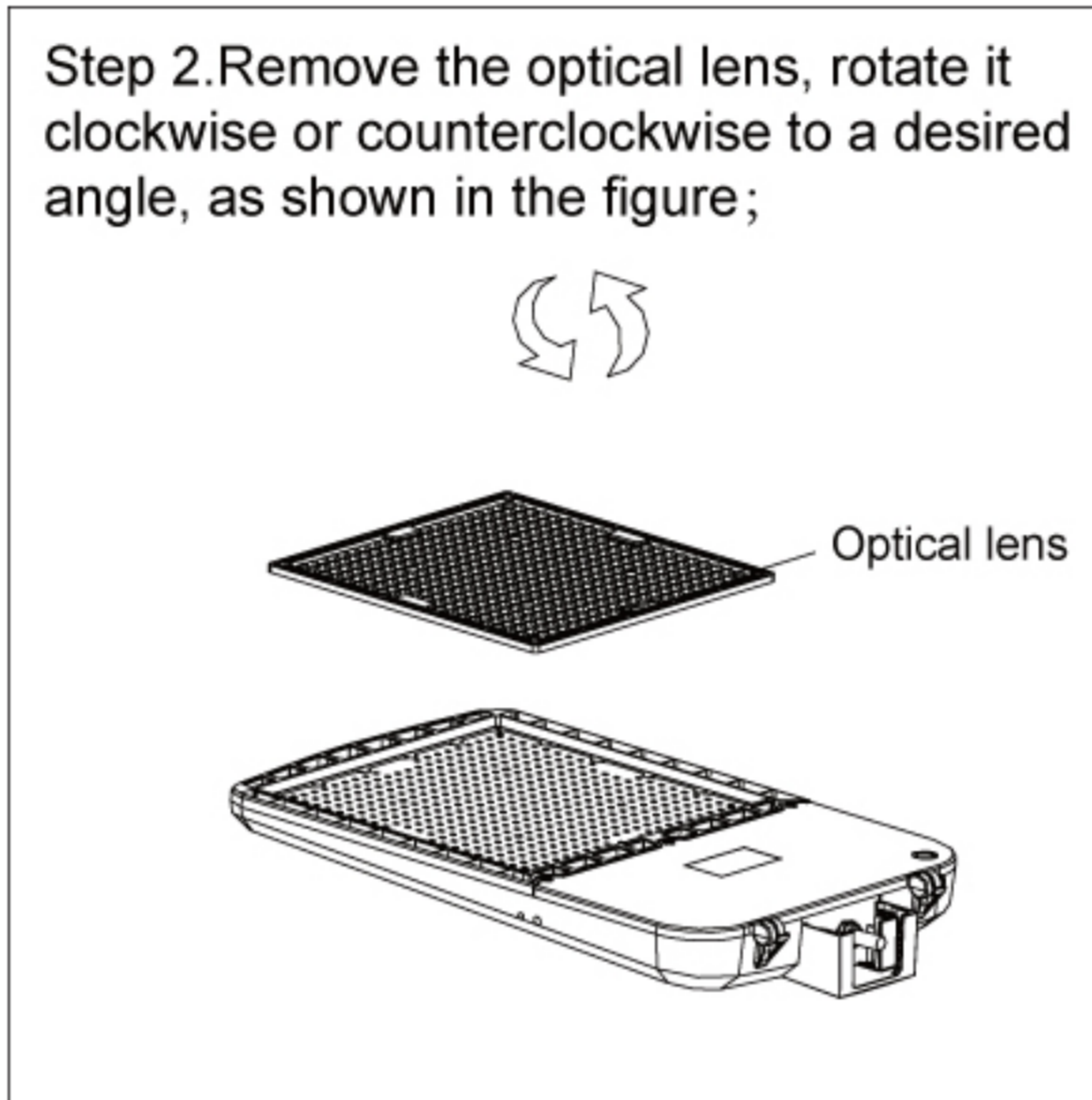
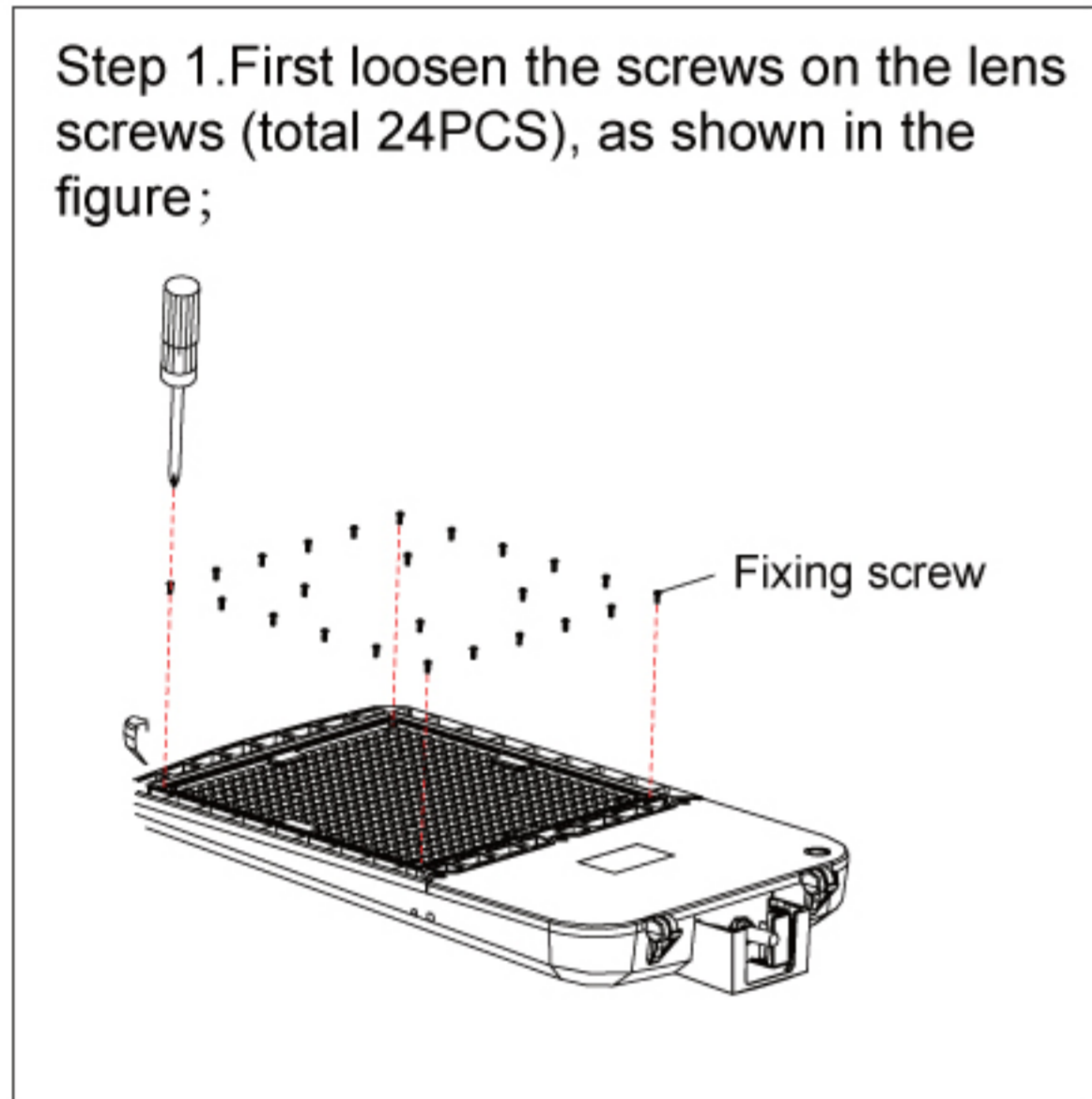


Accessories
(sold separately)

WATTS & CCT SELECTABLE

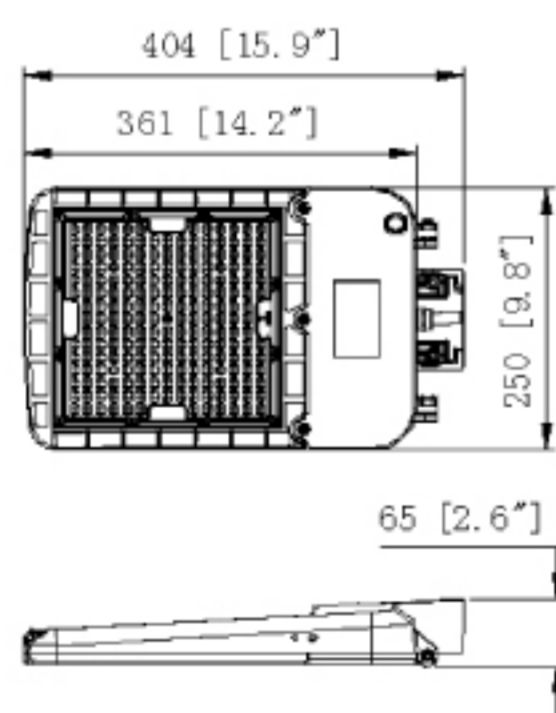


OPERATION INSTRUCTION FOR ROTATING OPTICAL LENS

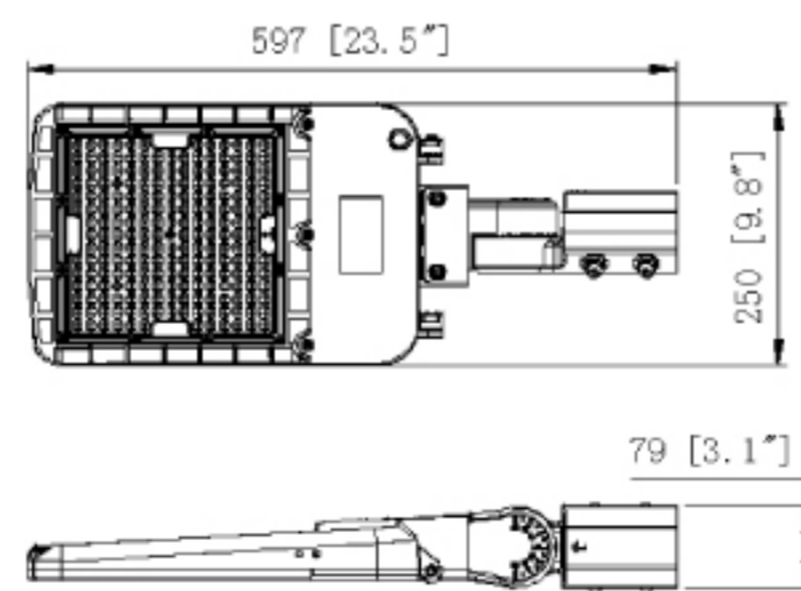


DIMENSIONS

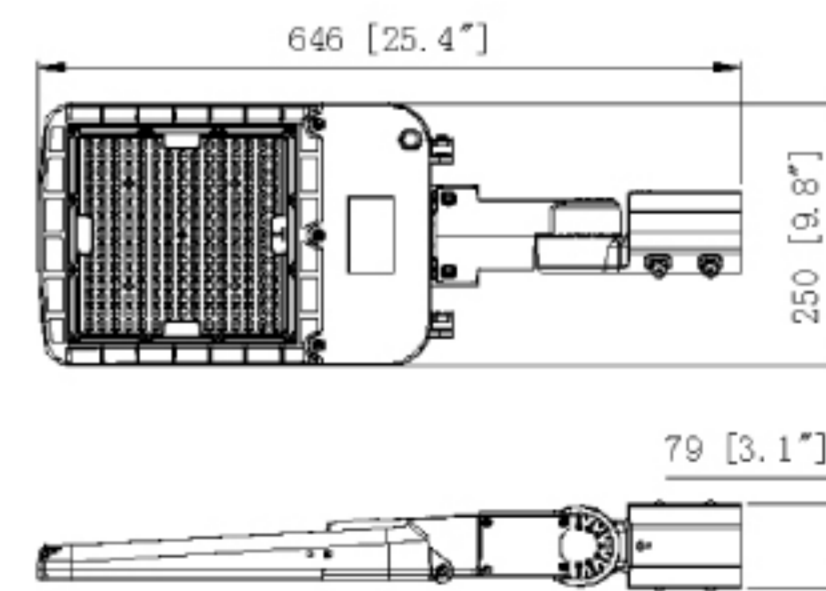
70W/100W/150W



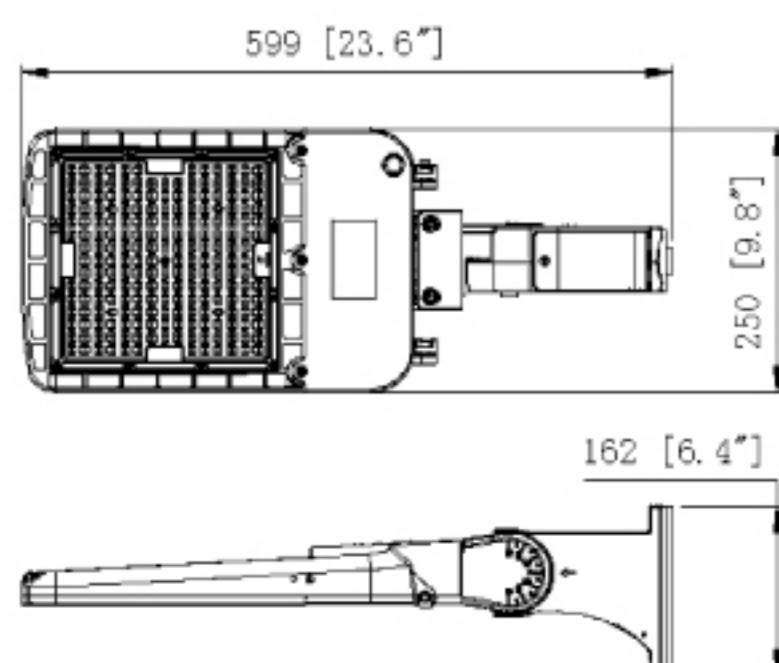
TYPE A



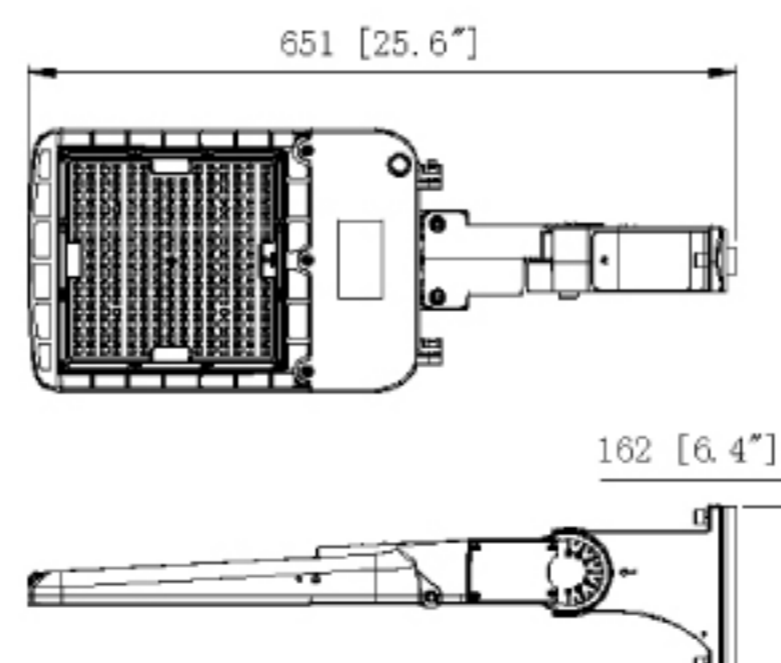
TYPE A2



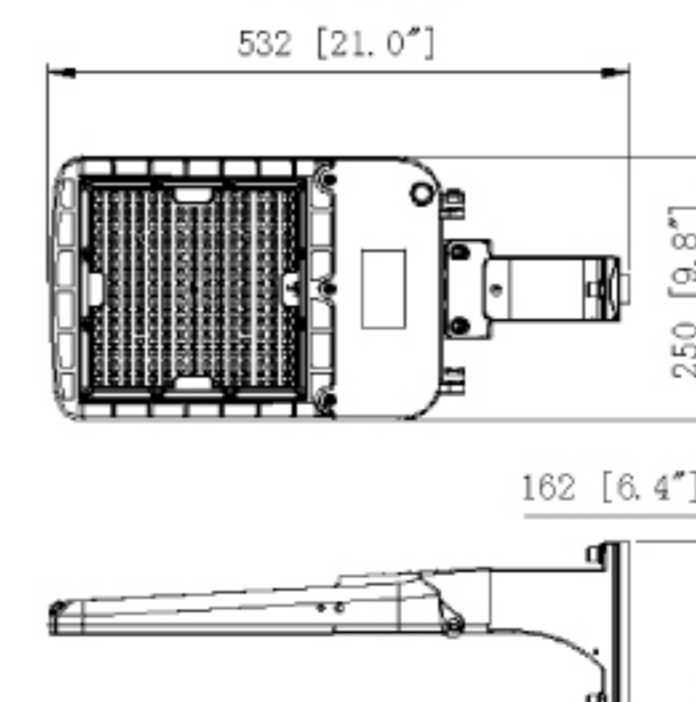
TYPE B



TYPE B2



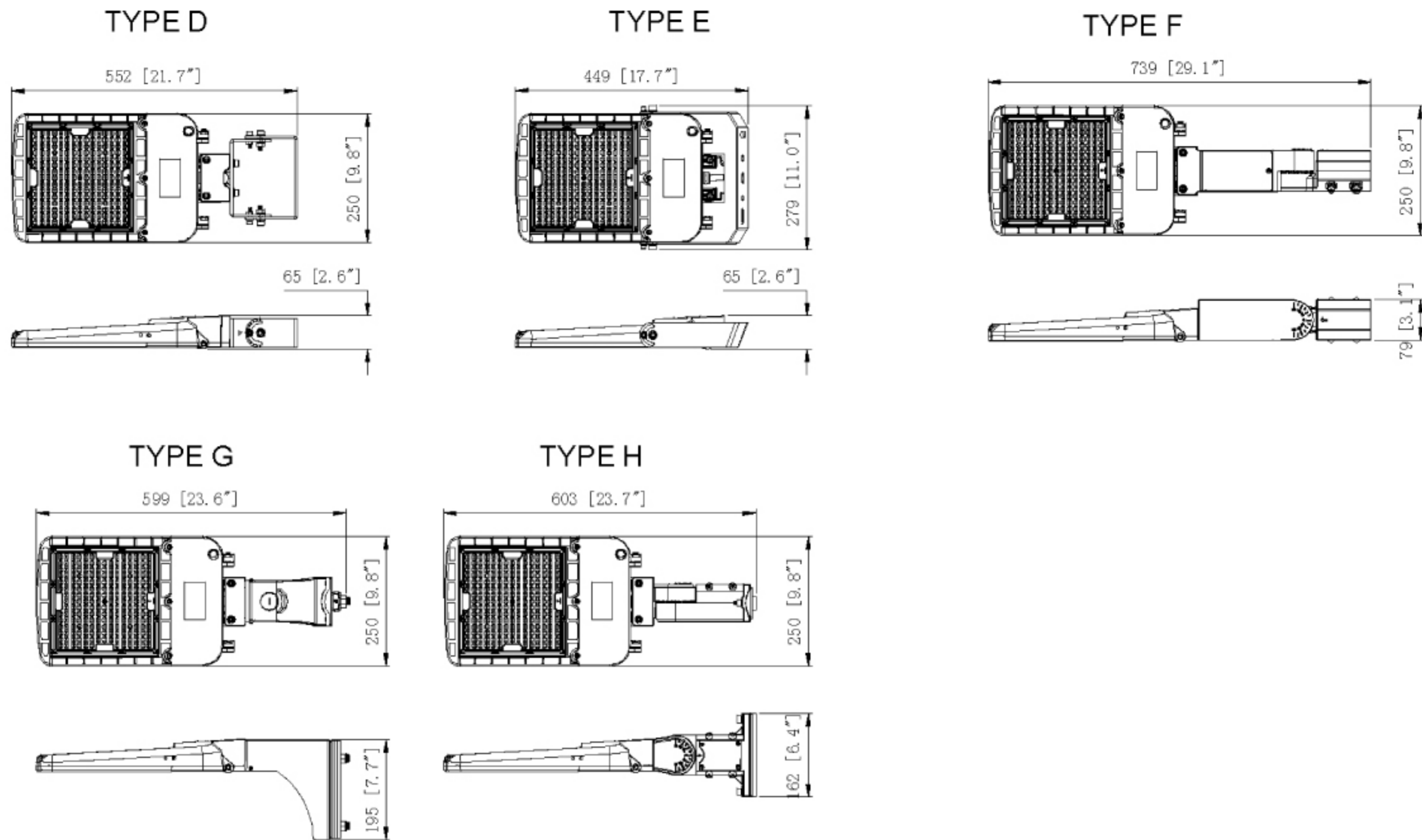
TYPE C



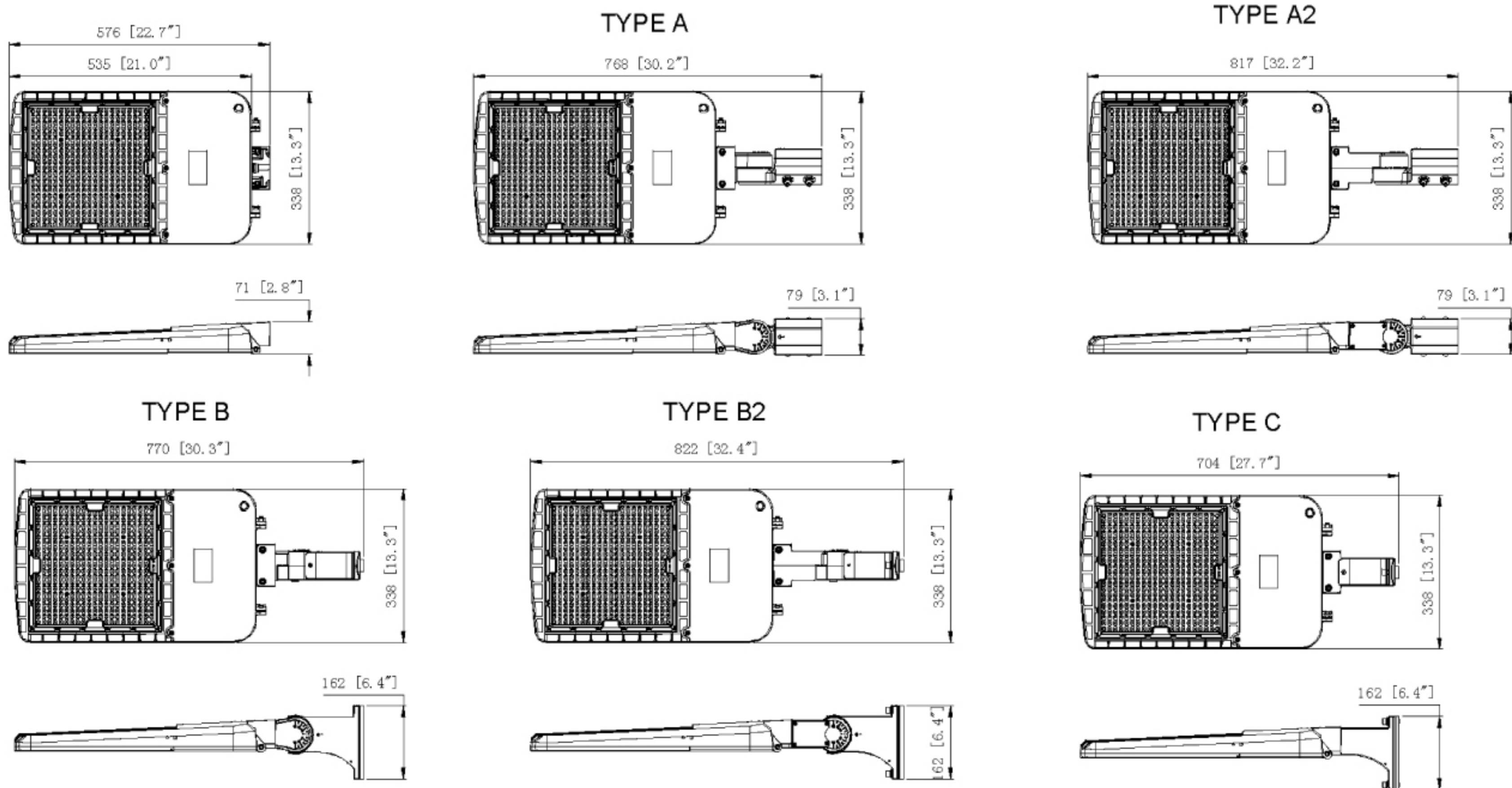
LED Shoe Boxes

MODEL SB150-3CCT+W | SB300-3CCT+W

DIMENSIONS



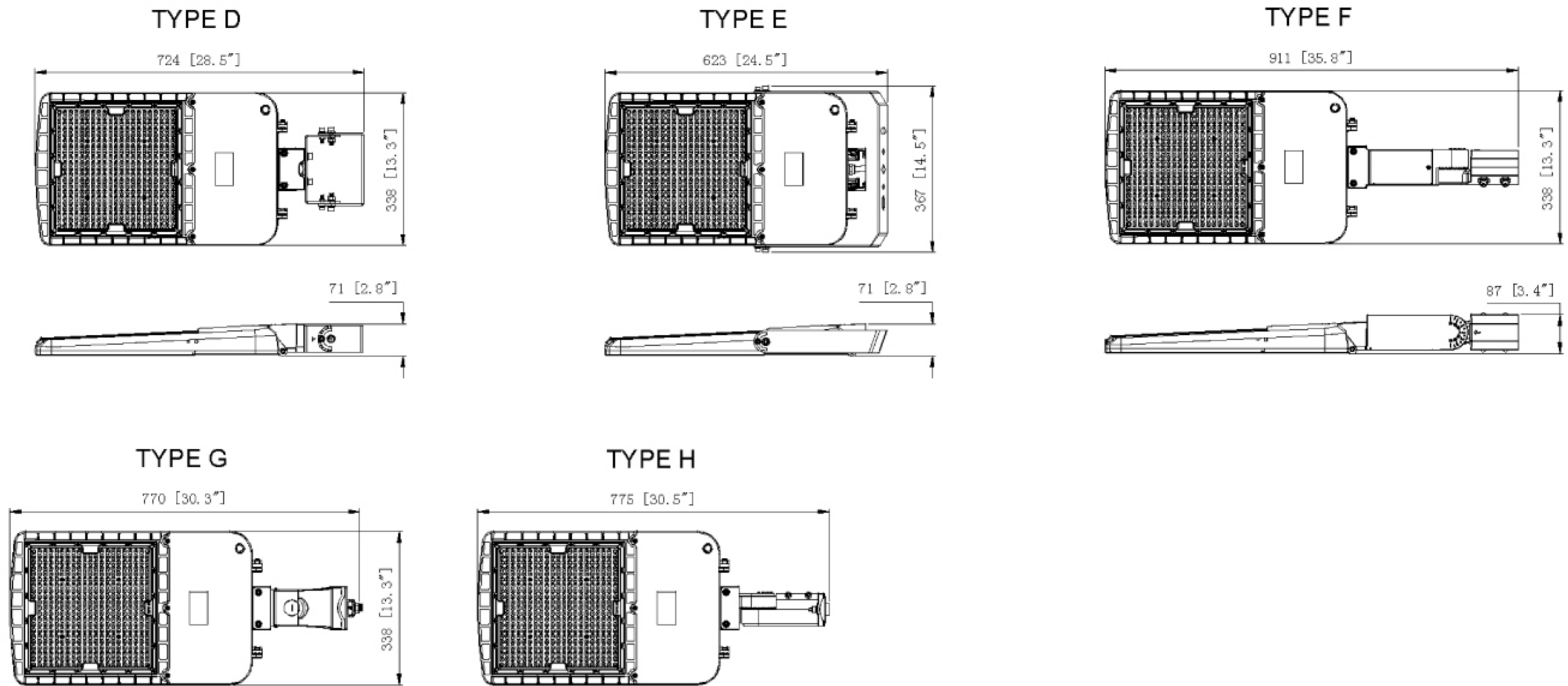
200W/240W/300W



LED Shoe Boxes

MODEL SB150-3CCT+W | SB300-3CCT+W

DIMENSIONS



Reference	QTY.	Remarks	Project:
			Location:
			Architect:
			Engineer:
			Contractor:
			Submitted by:
			Date:

ORTECH reserves the right to modify at any time, without notice, any or all of our product's features, designs, components and specifications to meet market changes.