

# LED Vapour Tights

MODEL VT-40W-3CCT+W | VT-40WMS-3CCT+W



## HIGHLIGHTS

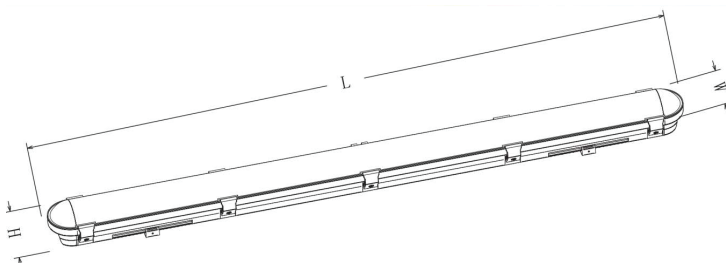
Durable 100-347V DC 40W LED vapour tight suitable for wet locations

- Slotted iron Board, excellent heat dissipation
- Modular installation, save labor cost
- Suitable for all commercial needs
- 5-year warranty
- IP Rating 65 - rated for wet location
- WMS model comes with motion sensor with dip switch installed

## SPECIFICATIONS

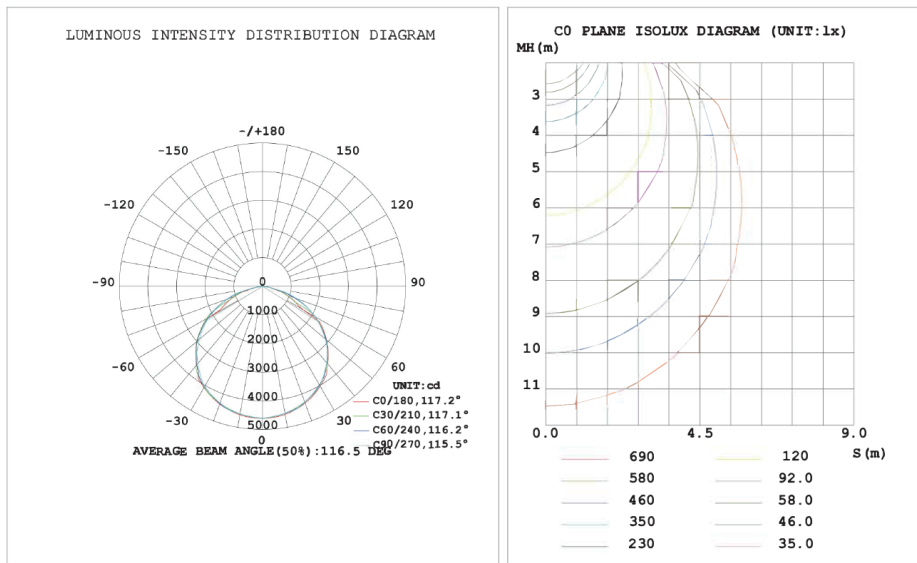
Model	VT-40W-3CCT+W   VT-40WMS-3CCT+W
Wattage	30W/40W/50W
Voltage	AC100-347V
Light Output	6500lm
Beam Angle	120°
Lifetime	50000 hours
Luminous Efficacy	130lm/W
CRI	>80
Operating Temp.	-20°C ~ +40°C
Colour Temp.	3500K (Warm White) / 4000K (Natural White) / 5000K (Cool White)

## DIMENSIONS



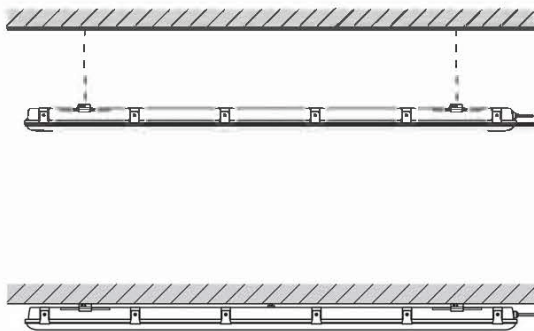
Model	LxWxH (mm/in)
<b>VT-40W-3CCT+WT</b>	1200*95*83/47.92*3.74*3.26
<b>VT-40WMS-3CCT+WT</b>	1200*95*83/47.92*3.74*3.26

### TESTING REPORT

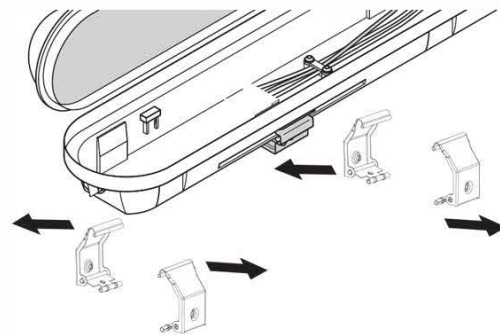


### INSTALLATION

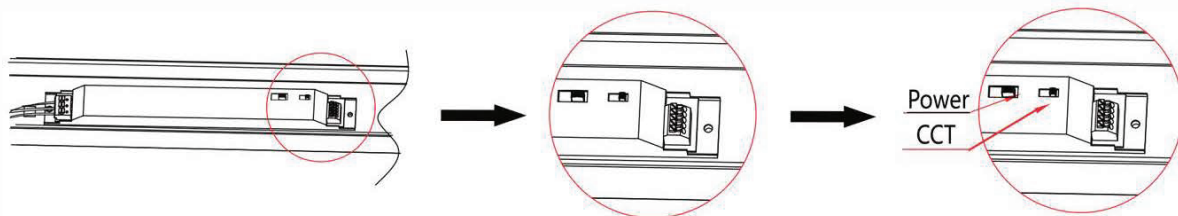
1. Confirm the mounting method of waterproof connector.



2. Release the lock clips to open fixture cover.

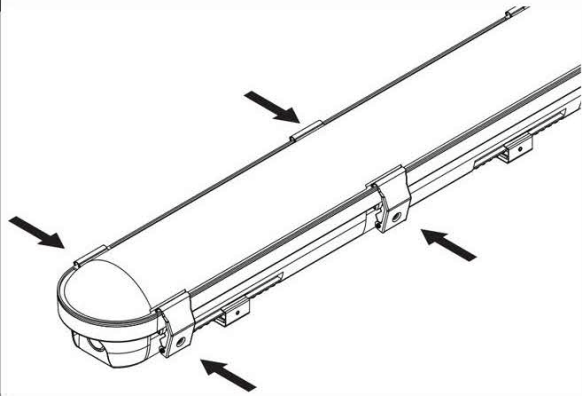


3. CCT & Wattage selectable.

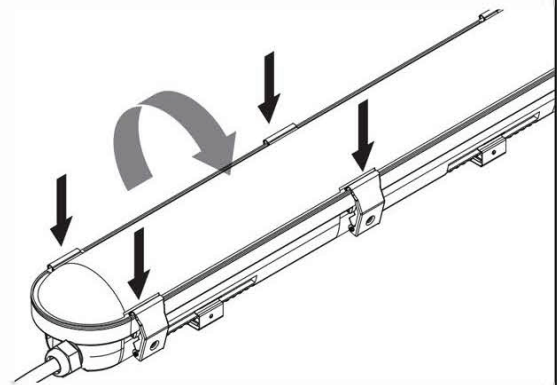


### INSTALLATION

4. Press to fasten all lock clips.

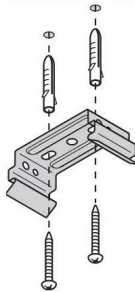


5. Check all clips are fastened properly.

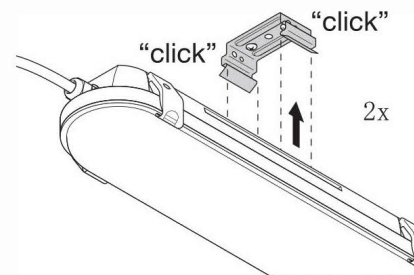


### SURFACE MOUNTED INSTALLATION

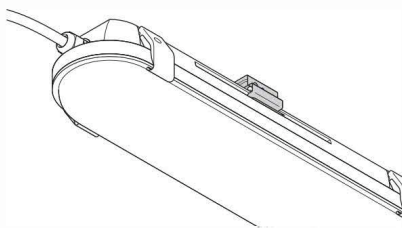
1. Drill holes in the wall, install mounting clips to wall with screws and plastic expansion tubes.



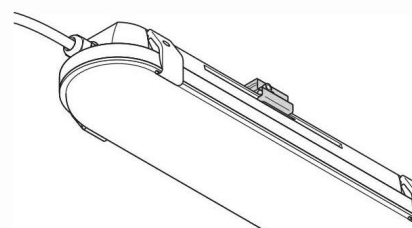
2. Push fixture into mounting clips for fixing.



3. Installed view as bellow figure.



4. Turn on lights after connecting to line voltage.

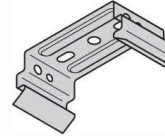


### SUSPENDED INSTALLATION

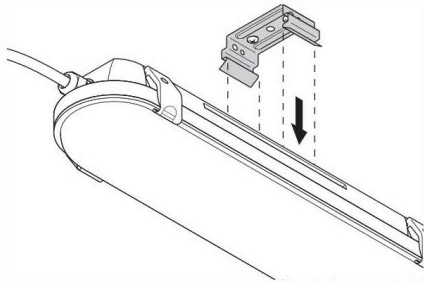
1. Drill hole in the wall, install the fixing base with a screw and a plastic expansion tube.



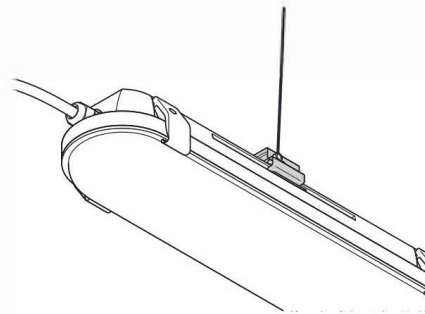
2. Hang the mounting clip to the hook of suspension cable.



3. Push the fixture into mounting clip for fixing.



4. Turn on the lights after installation.



Reference	QTY.	Remarks	Project:
			Location:
			Architect:
			Engineer:
			Contractor:
			Submitted by:
			Date:

ORTECH reserves the right to modify at any time, without notice, any or all of our product's features, designs, components and specifications to meet market changes.