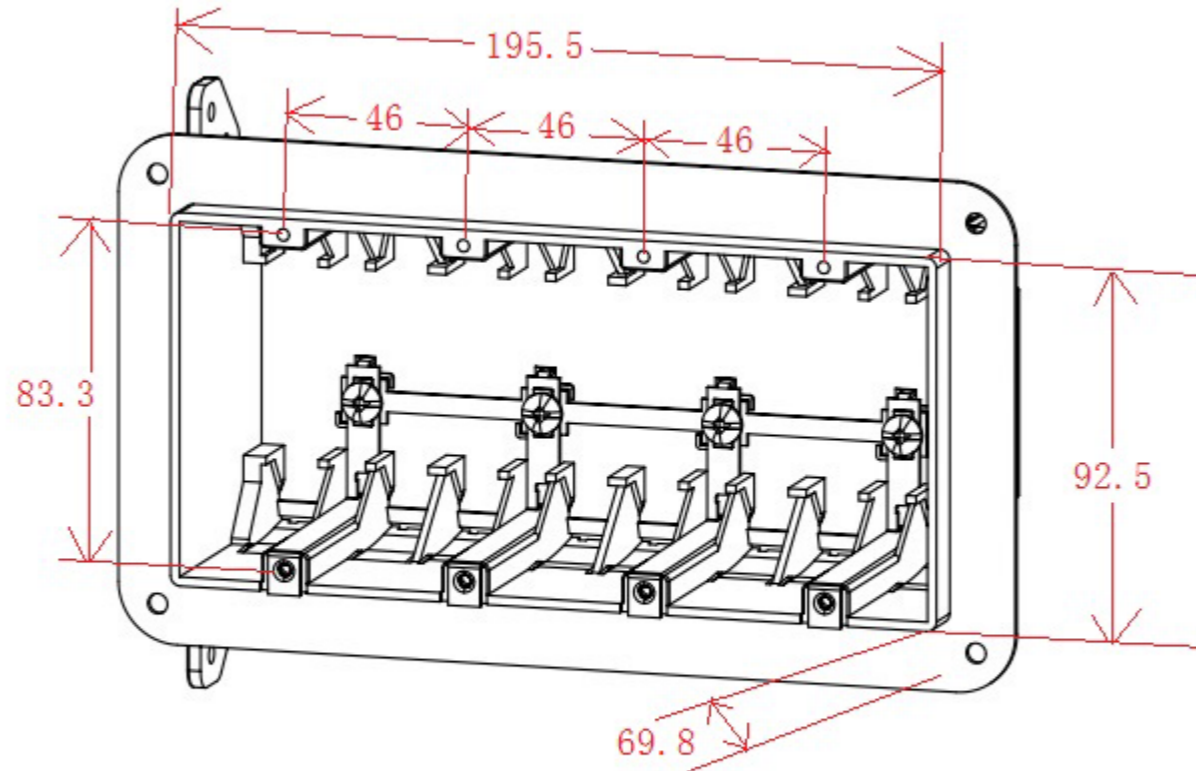
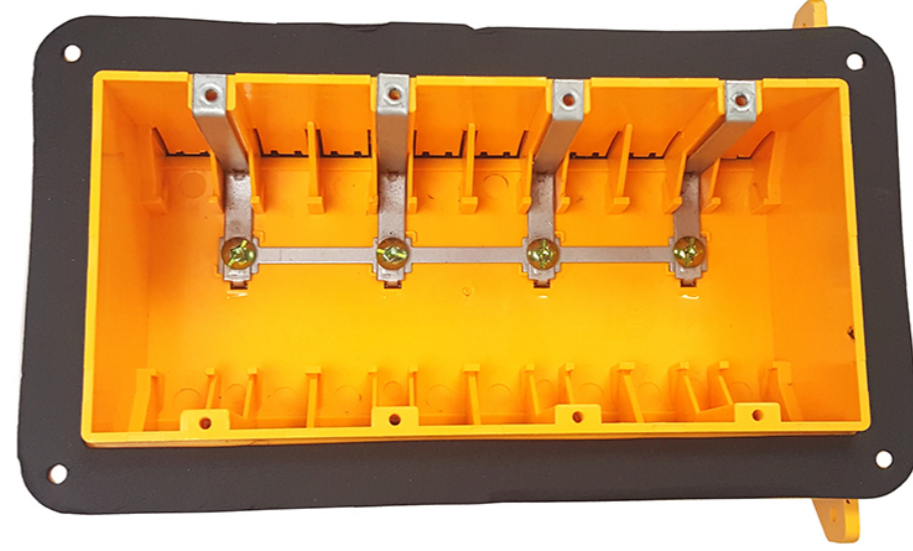


**MODEL WPB05**

**Description**

- Vapor proof four Gang non-metallic switch and outlet box
- 2-7/8" Deep x 3-5/8" High x 7-3/4" Wide
- 30/case
- cETLus certified



Reference	QTY.	Remarks	Project:
			Location:
			Architect:
			Engineer:
			Contractor:
			Submitted by:
			Date:

