

## MODEL WTH01

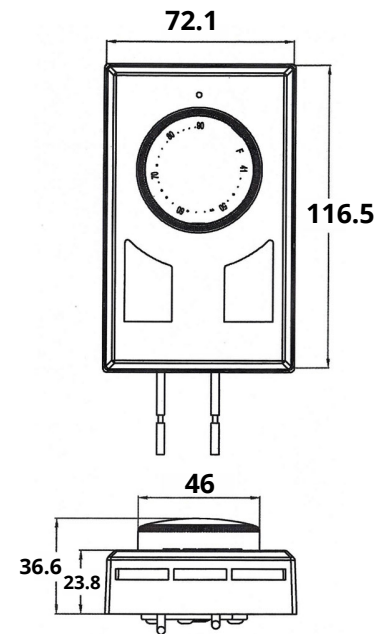
### HIGHLIGHTS

- Wall mount thermostat
- Compatible with electric heaters, electric garage heaters
- Includes °C control dials
- Double Pole — provides positive OFF position
- Large knob allows easy adjustment to all temperatures



### SPECIFICATIONS

- **Wattage:** 3360 Watts at 120V (28 amps)  
5824 Watts at 208V (28 amps)  
6720 Watts at 240V (28 amps)  
7756 Watts at 277V (28 amps)
- **Voltage:** 120-277V
- **Maximum Setting:** 35°C
- **Sensing Element:** Bimetal Temperature
- **No. of Wires:** 2
- **Operating Temp.:** 10°C to 35°C



Reference	QTY.	Remarks	Project:
			Location:
			Architect:
			Engineer:
			Contractor:
			Submitted by:
			Date: