

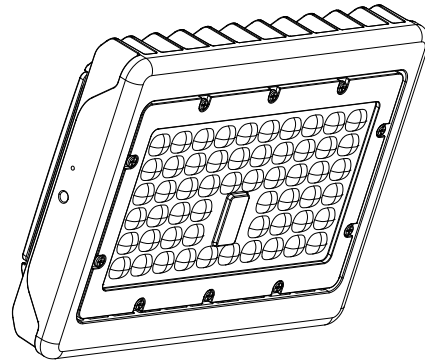
PREMISE

FL4C-SERIES

COMPACT FLOOD LIGHT

INSTALLATION INSTRUCTIONS FOR

- FL4C-304-1
- FL4C-504-1
- FL4C-704-1
- FL4C-904-1



WHAT'S IN THE BOX

- FL4C fixture
- Pre-installed 1.5m power cord, includes 1-10V dimming wires

WHAT YOU'LL NEED

- Wiring supplies as per national and local electrical codes
- Hex bit drivers to attach mounts

One of the following mounts are required

- A. Knuckle: (FL4C-KN / FL4C-KN-L)
- B. Trunnion: (FL4C-TR / FL4C-TR-L)
- C. Yoke: (FL4C-YK-S / FL4C-YK-M / FL4C-YK-L)
- D. Slip Fitter: (FL4C-SF-S / FL4C-SF-M / FL4C-SF-L)
- E. Mounting Arm: (FL4C-MA-S / FL4C-MA-M / FL4C-MA-L)

IMPORTANT

Before installing fixture, read all instructions and retain for future reference. The important instructions and safeguards that appear in this document are not inclusive of all possible conditions and situations that may occur. It must be understood that common sense, caution, and care are factors that cannot be built into a product. These factors must be supplied by those that care and operate the fixture. Consider a qualified licensed electrician for installation.

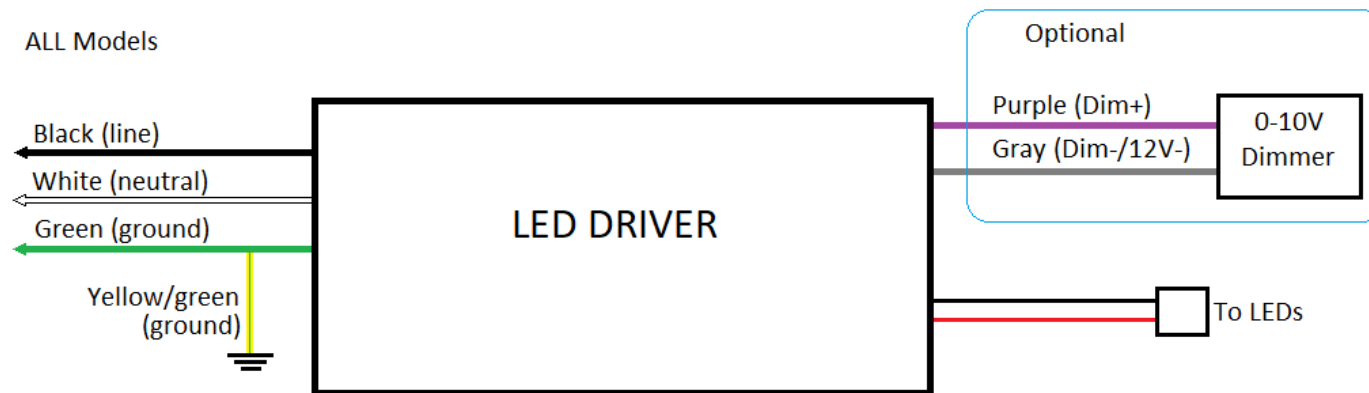
For additional information required not covered in this document please contact a local representative.



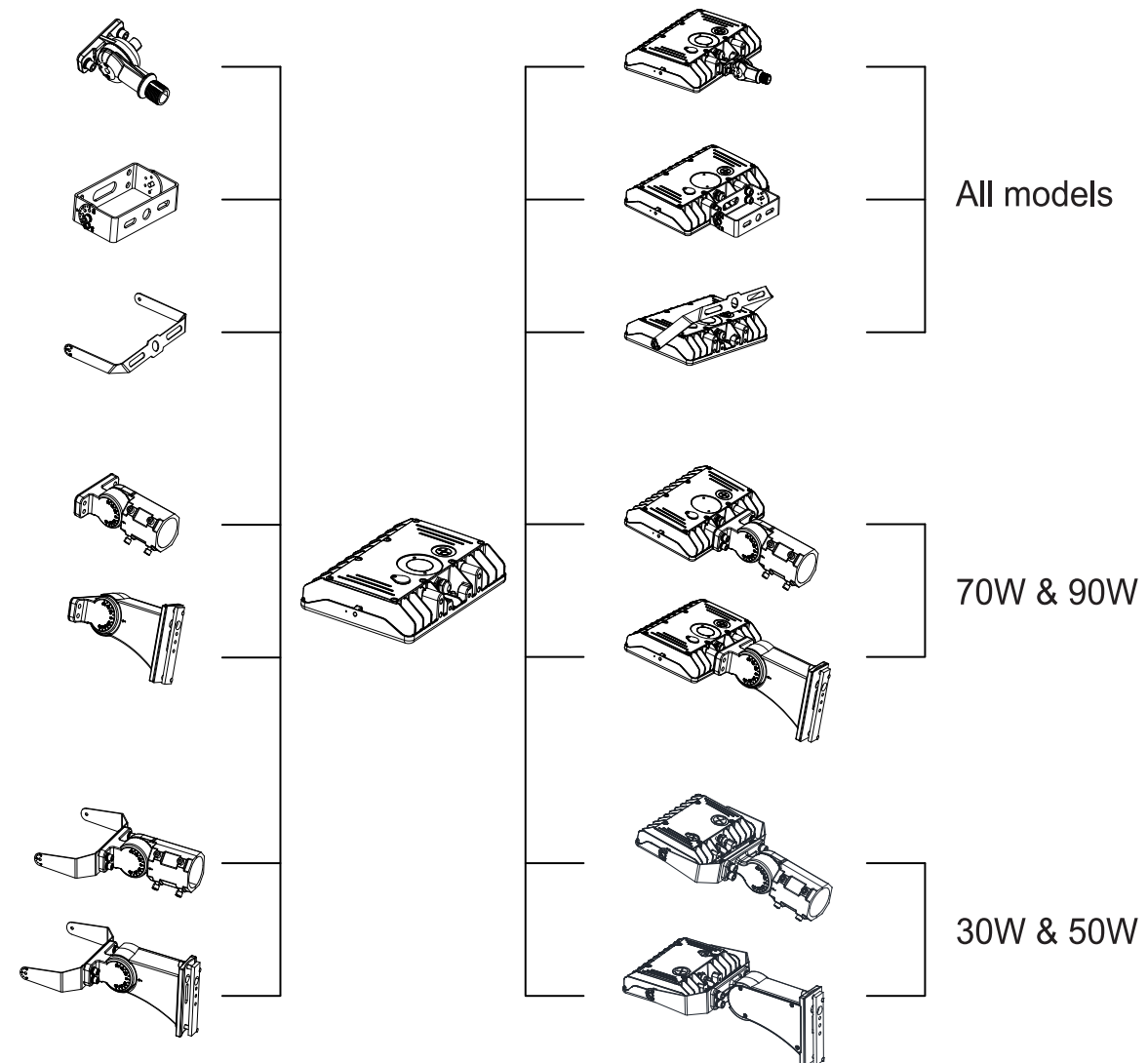
WARNING AND SAFETY

- Risk of electric shock!
- Ensure power is OFF at the electrical panel before starting installation or maintenance
- Verify site supply voltage matches luminaire product label
- Ensure the cover is closed during operation
- Modifications to the product will void warranty
- Ambient temperature range under normal operation not to exceed -40°C to 50°C (-40°F to 122°F)
- Wiring to fixture must be in accordance with the National Electrical Code and all applicable local electrical and safety regulations

WIRING SCHEMATIC FOR ALL MODELS

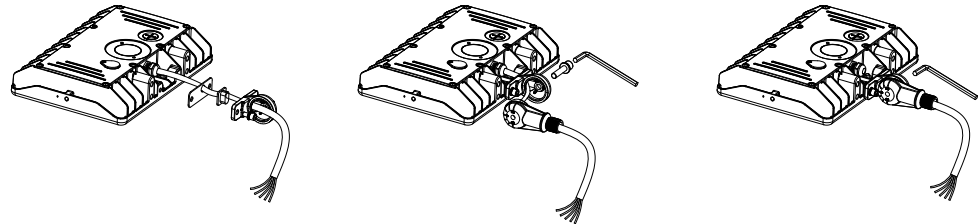


MOUNTING ACCESSORIES TO FIXTURE INSTALLATION (ORDERED SEPARATELY)



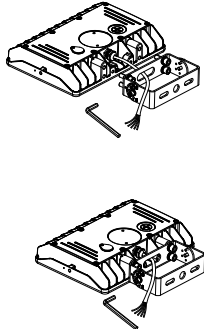
1/2" NPT KNUCKLE MOUNT

FL4C-KN (30W & 50W) & FL4C-KN-L (70W & 90W)

- 1 Separate knuckle into two pieces.
 - 2 Pass the fixture cord through the small metal plate, the rubber gasket and half of the knuckle that will mount to the fixture.
 - 3 Attach the knuckle half from Step 1 to the fixture with provided hardware and pass the cord through the other knuckle half.
 - 4 Screw the knuckle together and adjust angle as required.
- 

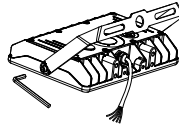
TRUNNION MOUNT

FL4C-TR (30W & 50W) & FL4C-TR-L (70W & 90W)

- 1 Pass the fixture cord through the trunnion.
 - 2 Attach trunnion mount to fixture with provided hardware and adjust as required.
- 

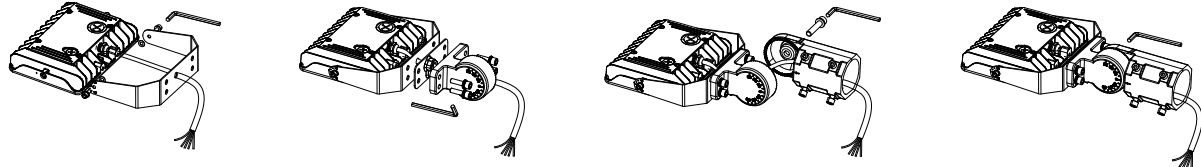
YORK MOUNT

FL4C-YK-S (30W), FL4C-YK-M (50W) & FL4C-YK-L (70W & 90W)

- 1 Attach yoke mount to fixture with provided hardware and adjust as required.
- 

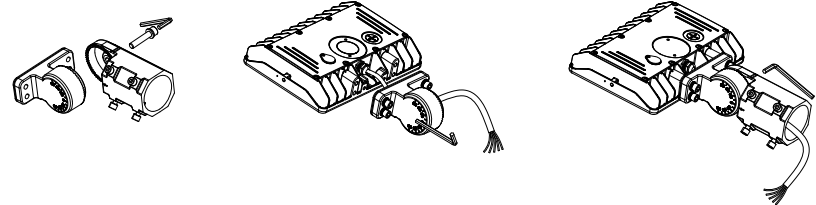
SLIP FITTER MOUNT WITH BRACKET

FL4C-SF-S (30W), FL4C-SF-M (50W)

- 1 Attach bracket to the fixture with provided hardware.
 - 2 Separate the slip fitter into two pieces.
 - 3 Feed the fixture cord through the bracket, metal plate, gasket and half of slip fitter that will mount to the fixture.
 - 4 Attach the slip fitter half from Step 3 to the fixture with provided hardware and pass the cord through the other slip fitter half.
 - 5 Screw the slip fitter together and adjust angle as required.
- 

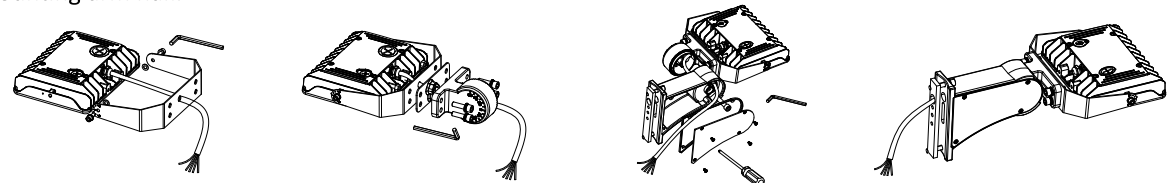
SLIP FITTER DIRECT MOUNT

FL4C-SF-L (70W & 90W)

- 1 Separate the slip fitter into two pieces.
 - 2 Feed the fixture cord through the metal plate, gasket and half of slip fitter that will mount to the fixture.
 - 3 Attach the slip fitter half from Step 2 to the fixture with provided hardware and pass the cord through the other slip fitter half.
 - 4 Screw the slip fitter together and adjust angle as required.
- 

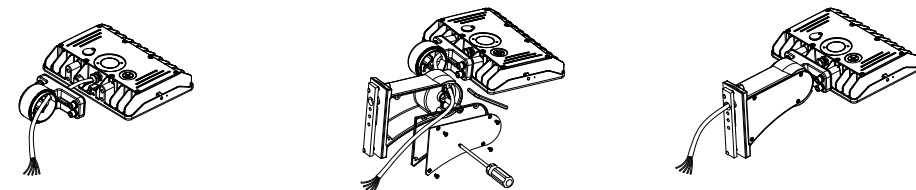
MOUNTING ARM WITH BRACKET MOUNT

FL4C-MA-S (30W) & FL4C-MA-M (50W)

- 1 Attach bracket to the fixture with provided hardware.
 - 2 Remove and retain the access plate and separate the mounting arm into two pieces.
 - 3 Feed the fixture cord through the bracket, metal plate, gasket and half of mounting arm that will mount to the fixture.
 - 4 Attach the mounting arm half from Step 3 to the fixture with provided hardware and pass the cord through the other mounting arm half.
 - 5 Adjust the mounting arm as required.
 - 6 Screw the mounting arm together, reattach access plate ensuring correct gasket placement.
- 

MOUNTING ARM DIRECT MOUNT

FL4C-MA-L (70 & 90W)

- 1 Remove and retain the access plate and separate the mounting arm into two pieces.
 - 2 Feed the fixture cord through the metal plate, gasket and half of mounting arm that will mount to the fixture.
 - 3 Attach the mounting arm half from Step 3 to the fixture with provided hardware and pass the cord through the other mounting arm half.
 - 4 Adjust the mounting arm as required.
 - 5 Screw the mounting arm together, reattach access plate ensuring gasket placement.
- 

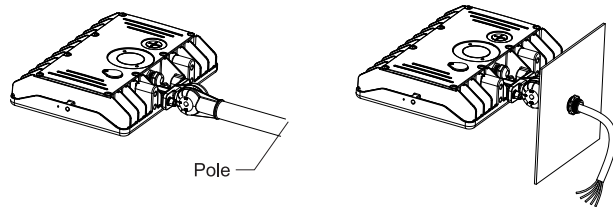
MOUNT TO STRUCTURE INSTALLATION

1/2" NPT KNUCKLE MOUNT

1 With knuckle attached to fixture, pass end through mounting surface and secure with included 1/2" NPT locking nut.

2 Refer to attached wiring diagram to complete connections.

Note: loosen knuckle screw to adjust angle up to 90° from vertical, tighten once angle is set.



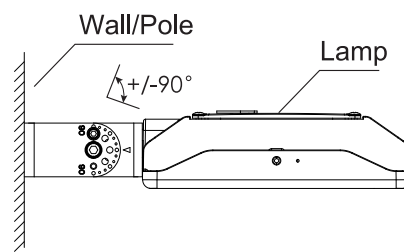
TRUNNION MOUNT

1 Use trunnion or indicated hole spacing to mark spacing required on surface.

2 Drill holes and attach trunnion mount to surface with hardware as required.

Note: surface mounting hardware field provided.

Note: loosen sides of trunnion to adjust angle up to 90° from vertical, tighten once angle is set.



MOUNTING ARM MOUNT

1 With mounting arm attached to fixture, remove and retain install plate, hardware and flat and curved gaskets. As necessary, remove and retain the access cover, screws and gasket for wiring or mounting.

4 To mount; line-up install plate with drilled holes inside of pole. For a square pole, align mounting arm outside of pole keeping both retained gaskets between pole and mounting arm and using provided hardware fasten install plate and mounting arm together. For a round pole, the curved gasket is not required, but flat gasket to remain when fastening.

Note: Mounting arm can mount onto 4" and 5" poles.

7 Reattach access plate ensuring correct gasket placement.

2 Use install plate or indicated hole spacing to mark holes as required on pole.

Note: top hole must be used, plus one of four small holes below (large hole is for wiring).

5 Refer to attached wiring diagram to complete connections.

3 Drill screw holes and wiring hole through pole as required.

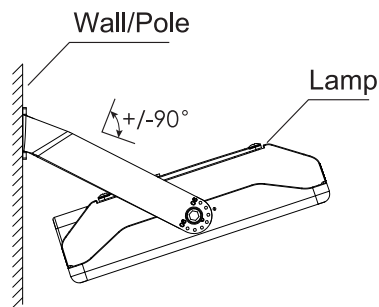
6 Adjust the mounting arm as required (up to 30° above horizontal).

YORK MOUNT

1 Use yoke or indicated hole spacing to mark spacing required on surface.

2 Attach yoke mount to surface with hardware as required.

Note: surface mounting hardware field provided.

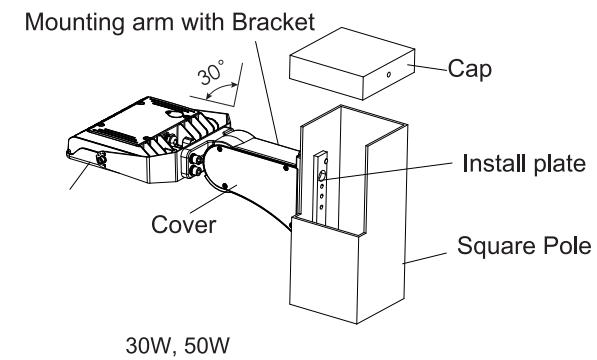
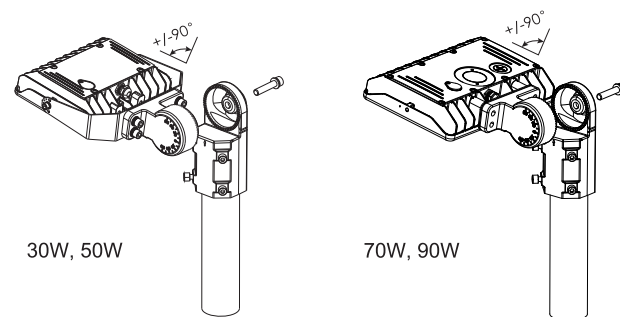


SLIP FITTER MOUNT

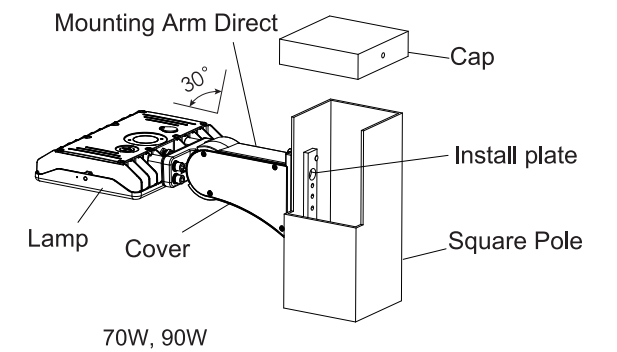
1 With slip fitter attached to fixture, refer to attached wiring diagram to complete connections.

2 Loosen slip fitter mounting screws and mount onto a 2" to 2-3/8" tenon. Tighten slip fitter mounting hardware to secure.

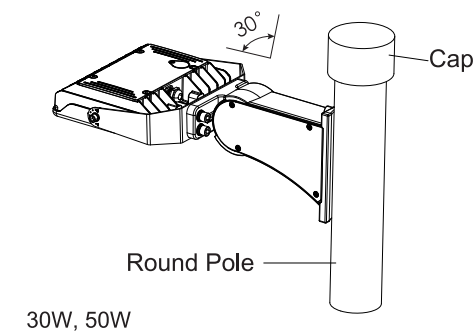
Note: loosen slip fitter bolt to adjust angle up to 90° from vertical, tighten once angle is set.



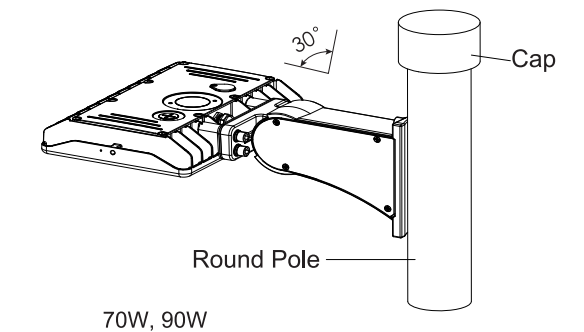
30W, 50W



70W, 90W



30W, 50W



70W, 90W