



Project	
Date	
Prepared by	
Model #	FLS1-304KN-1

FLS1- SERIES ULTRA-SLIM FLOOD LIGHT



OVERVIEW

The FLS1 Ultra-Slim Flood Light series is an ultra low-profile LED flood light designed for mounting on poles or walls to illuminate building perimeters, walkways, and landscapes or for wall graze and wall wash accent lighting.

PRODUCT HIGHLIGHTS

- Ultra low-profile and light-weight design lends to versatility
- Durable polycarbonate lens
- Easily mounts on waterproof J-box
- 5 year warranty

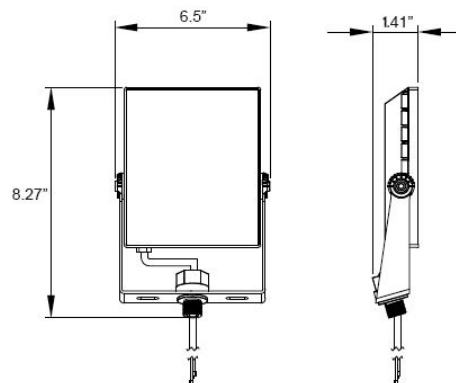
OPTICAL SPECIFICATIONS

Lumen Output (lm) ₁	2847 lm	Beam Angle (°) ₁	95°
CCT (K) ₁	4000K	Projected Lifetime (L ₇₀)	50,000 hours
CRI (Ra) ₁	81.9	Lumen Maintenance Factor	70%
Efficacy (lm/W) ₁	99.75 lm/W		

ELECTRICAL SPECIFICATIONS

Power	30W	Current Draw at 120V _{AC} (A) ₂	0.25
Apparent Power (VA)	31VA	Current Draw at 208V _{AC} (A) ₂	0.15
System Wattage (W)	28.551W	Current Draw at 240V _{AC} (A) ₂	0.13
Input Voltage	100-277V	Current Draw at 277V _{AC} (A) ₂	0.12

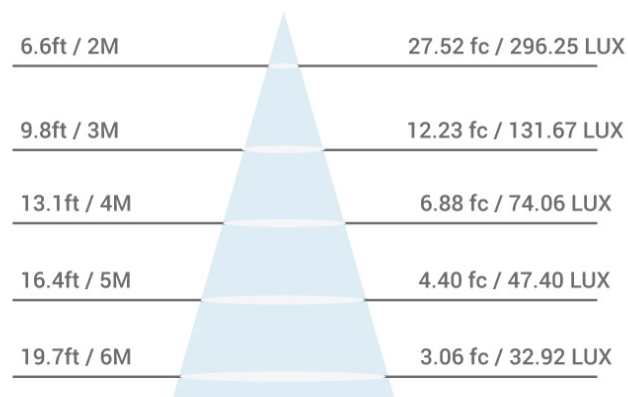
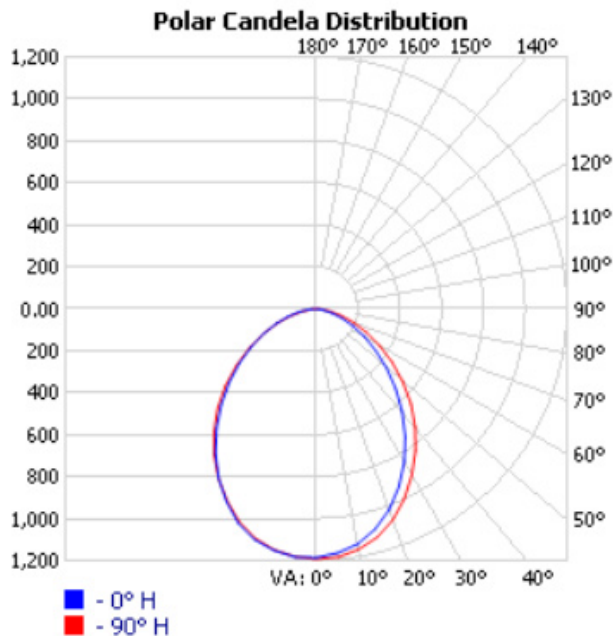
PRODUCT DIMENSION



CONSTRUCTION		APPROVALS AND LISTINGS	
Housing Material	Die-cast aluminum	DLC	PLD2J0ZH6THC
Housing Color	Dark Bronze	Wet Location Rated	Yes
Lens Material	Polycarbonate		
Dimensions (inch/mm)	165 mm (L) x 210 mm (H) x 36 mm (D) 6.5" (L) x 8.27" (H) x 1.41" (D)	UL/ETL	cETLus
Installation Method	Knuckle mount	UL/ETL File Number	4008363
Operation Range (°F/°C)	-40°C to 40°C -40°F to 104°F		
IP Rating	IP65		
Warranty	5 Years		

LED AND DRIVER SPECIFICATIONS			
LED (Brand)	SMD	Output Voltage (VDC)	27±2V
LED Design Origin	Korea	Power Factor	0.9663
LED Type	2835	THD	13.04%
Dimmable	No		

CANDELA	ILLUMINANCE AT A DISTANCE
---------	---------------------------



1. Due to the special conditions of manufacturing, the typical data of optical specifications can only reflect statistical figures and do not necessarily correspond to the actual parameters of each single product which could differ from the typical data.
2. Exceeding maximum ratings for input voltage and current will cause hazardous overload and will likely destroy the LED fixture.
3. Refer to Warranty Terms & Conditions available at premiseled.com/warranty