



Project	
Date	
Prepared by	
Model #	HBV1-1504-1

HBV1-SERIES HIGH BAY



OVERVIEW

The HBV1-Series is a monopoint high bay offering that combines performance and price to give you the best of both worlds. With an efficacy of 150 lm/W and a lumen package of either 21,000 or 28,000, they are the perfect choice for applications where an economical solution is required.

PRODUCT HIGHLIGHTS

- Up to 150 lumens/W
- Two impressive lumen packages: 21,000 lumens (150W) and 28,000 lumens (200W)
- Available in both 100-277V or 120-347V with 1-10V dimming
- Includes an hook mount and 6-foot cord for easy installation
- IP65 rated for protection against water jet spray
- A native 110° beam angle works well with mid to high ceiling applications



OPTICAL SPECIFICATIONS

Lumen Output (lm) ₁	21,791 lm	Beam Angle (°) ₁	110°
CCT (K) ₁	4000K	Lumen Maintenance (L ₇₀)	>50,000 hours
CRI (Ra) ₁	80+	Chromaticity Shift	±250K
Efficacy (lm/W) ₁	145 lm/W		

ELECTRICAL SPECIFICATIONS

Power	150W	Current Draw at 120V _{AC} (A) ₂	1.284A
Apparent Power (VA)	154.3VA	Current Draw at 208V _{AC} (A) ₂	0.728A
System Wattage (W)	149.5W	Current Draw at 240V _{AC} (A) ₂	0.636A
Replacement for	400W+ HID	Current Draw at 277V _{AC} (A) ₂	0.551A
Input Voltage	100-277V		

CONSTRUCTION

Housing Material	Aluminum	Weight (kg/lbs)	3.7 kg / 8.2 lbs
Housing Color	Black	Installation Method	Hook Mount (incl.)
Lens Material	Polycarbonate	Operation Range (°C/°F)	-40°C to 50°C / -40°F to 122°F
Dimensions (inch/mm)	Ø: 11 7/16" (290mm) H: 8 5/8" (219mm)	Warranty	5 years

LED AND DRIVER SPECIFICATIONS

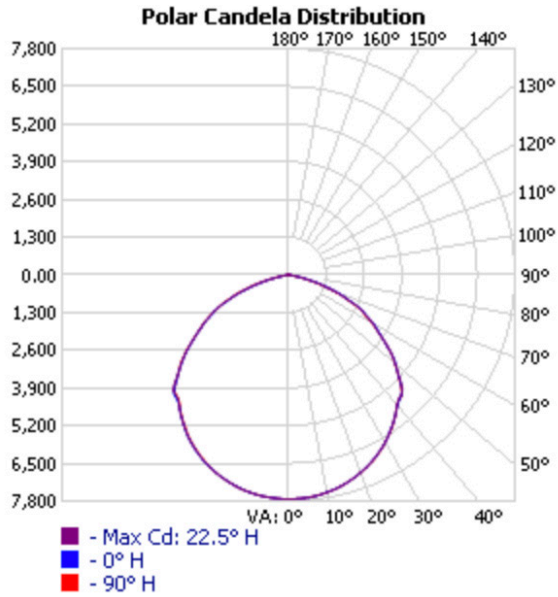
LED Type	2835	Driver Class	Class 2
Dimmable	0-10V	Surge Protection	4kV
Power Factor	>0.9	Inrush Current (A)	130A
THD	15%		

APPROVALS AND LISTINGS

UL/ETL	cULus	IP Rating	IP65
Wet Location Rated	Yes	DLC Premium	PLMVJLHOOJUE

CANDELA

ILLUMINANCE AT A DISTANCE

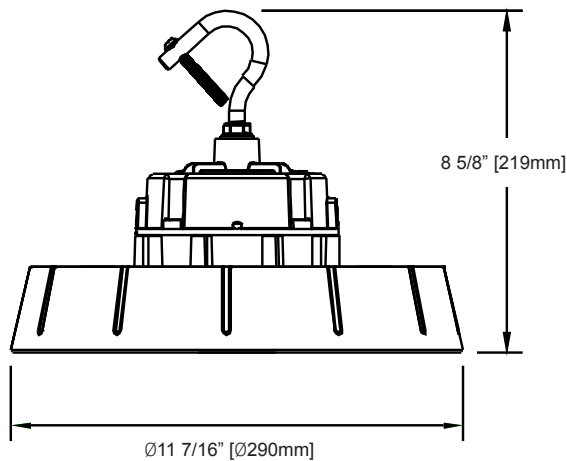


ILLUMINANCE AT A DISTANCE

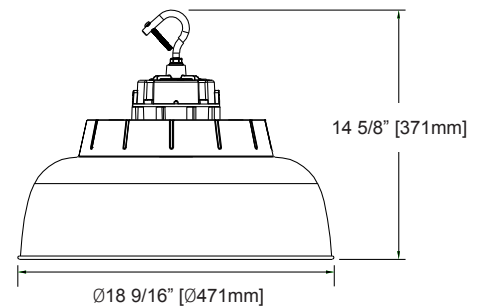
HEIGHT(FT)	CENTER BEAM FOOTCANDLE	BEAM SPREAD(FT)		FIELD SPREAD(FT)	
		HORIZONTAL	VERTICAL	HORIZONTAL	VERTICAL
4.00	482.68 FC	12.1	12.1	32.9	32.8
8.00	120.67 FC	24.2	24.1	65.7	65.7
12.00	53.63 FC	36.3	36.2	98.6	98.5
16.00	30.17 FC	48.3	48.3	131.4	131.4
20.00	19.31 FC	60.4	60.3	164.3	164.2
		BEAM ANGLE		FIELD ANGLE	
		113.0°	112.9°	152.6°	152.6°

DIMENSIONS

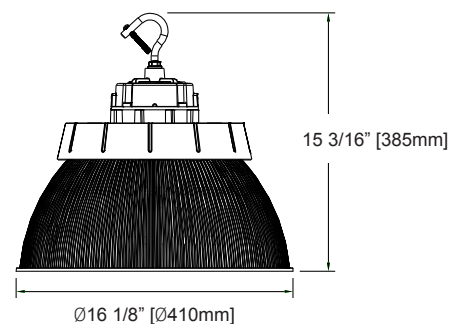
NO REFLECTOR



ALUMINUM REFLECTOR



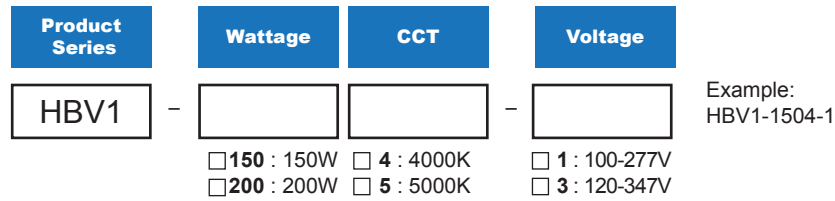
PRISMATIC REFLECTOR



AVAILABLE ACCESSORIES

	HBV-REF1-AL-90	90 degree reflector for HBV1-series 100-150W models		HBV-REF1-PC-90	90 degree prismatic reflector for HBV1-series 100-150W models
	HBV-REF2-AL-90	90 degree reflector for HBV1-series 200-240W models		HBV-REF2-PC-90	90 degree prismatic reflector for HBV1-series 200W-240W models
	HB-CARABINER	Carabiner for HBV1 High Bays			

PRODUCT KEY



1. Due to the special conditions of manufacturing, the typical data of optical specifications can only reflect statistical figures and do not necessarily correspond to the actual parameters of each single product which could differ from the typical data.
2. Exceeding maximum ratings for input voltage and current will cause hazardous overload and will likely destroy the LED fixture.
3. Refer to Warranty Terms & Conditions available at premiseled.com/warranty

Specifications and dimensions
subject to change without notice.

3401 ENTERPRISE PARKWAY
BEACHWOOD, OH USA 44122

80-86 CARRIER DRIVE
TORONTO, ON CANADA M9W 5R1

RD: 06/01/2020