



Project	
Date	
Prepared by	
Model #	HBV1-2004-1

# HBV1-SERIES HIGH BAY



## OVERVIEW

The HBV1-Series is a monopoint high bay offering that combines performance and price to give you the best of both worlds. With an efficacy of 150 lm/W and a lumen package of either 21,000 or 28,000, they are the perfect choice for applications where an economical solution is required.

## PRODUCT HIGHLIGHTS

- Up to 150 lumens/W
- Two impressive lumen packages: 21,000 lumens (150W) and 28,000 lumens (200W)
- Available in both 100-277V or 120-347V with 1-10V dimming
- Includes an hook mount and 6-foot cord for easy installation
- IP65 rated for protection against water jet spray
- A native 110° beam angle works well with mid to high ceiling applications



### OPTICAL SPECIFICATIONS

Lumen Output (lm) <sub>1</sub>	29,500 lm	Beam Angle (°) <sub>1</sub>	110°
CCT (K) <sub>1</sub>	4000K	Lumen Maintenance (L <sub>70</sub> )	>50,000 hours
CRI (Ra) <sub>1</sub>	80+	Chromaticity Shift	±250K
Efficacy (lm/W) <sub>1</sub>	147lm/W		

### ELECTRICAL SPECIFICATIONS

Power	200W	Current Draw at 120V <sub>AC</sub> (A) <sub>2</sub>	1.680A
Apparent Power (VA)	201.6VA	Current Draw at 208V <sub>AC</sub> (A) <sub>2</sub>	0.963A
System Wattage (W)	199.3W	Current Draw at 240V <sub>AC</sub> (A) <sub>2</sub>	0.840A
Replacement for	400W+ HID	Current Draw at 277V <sub>AC</sub> (A) <sub>2</sub>	0.733A
Input Voltage	100-277V		

### CONSTRUCTION

Housing Material	Aluminum	Weight (kg/lbs)	4.9 kg / 10.8 lbs
Housing Color	Black	Installation Method	Hook Mount (incl.)
Lens Material	Polycarbonate	Operation Range (°C/°F)	-40°C to 50°C / -40°F to 122°F
Dimensions (inch/mm)	Ø: 13 3/4" (350mm) H: 9 1/16" (231mm)	Warranty	5 Years

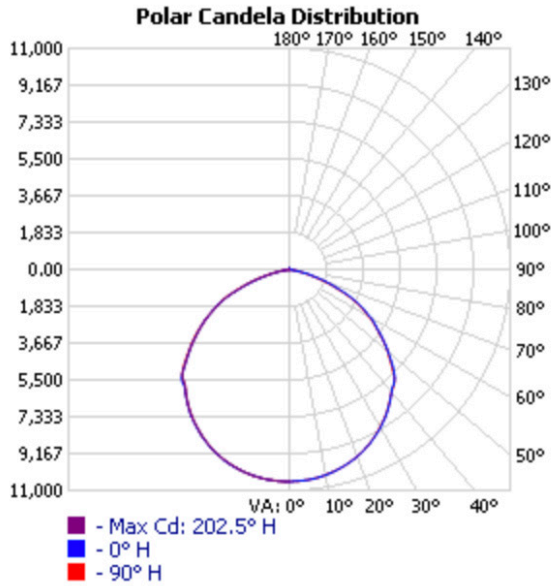
## LED AND DRIVER SPECIFICATIONS

LED Type	2835	Driver Class	Class 2
Dimmable	0-10V	Surge Protection	4kV
Power Factor	>0.9	Inrush Current (A)	130A
THD	20%		

## APPROVALS AND LISTINGS

UL/ETL	cULus	IP Rating	IP65
Wet Location Rated	Yes	DLC Premium	PL2GELQP4PB8

### CANDELA

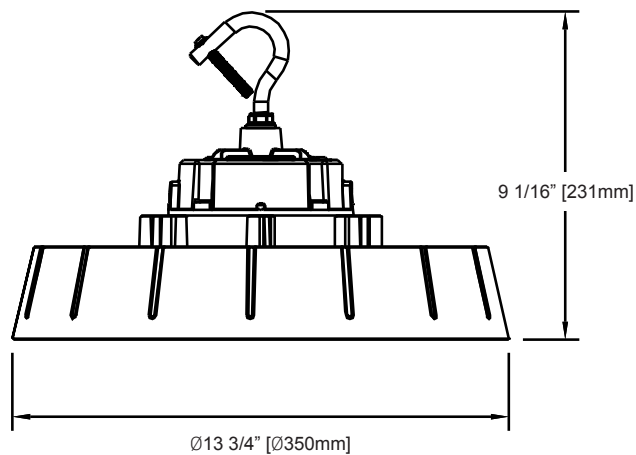


### ILLUMINANCE AT A DISTANCE

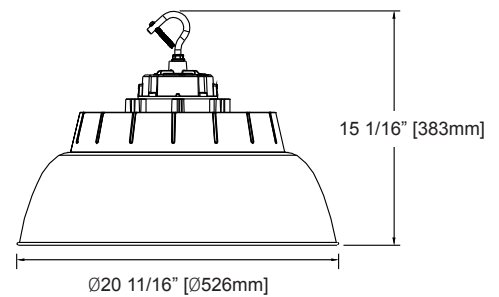
HEIGHT(FT)	ILLUMINANCE AT A DISTANCE		FIELD SPREAD(FT)	
	CENTER BEAM FOOTCANDLE	BEAM SPREAD(FT) HORIZONTAL VERTICAL	HORIZONTAL	VERTICAL
<b>4.00</b>	659.24 FC	12.1 12.2	31.9	32.3
<b>8.00</b>	164.81 FC	24.2 24.3	63.9	64.5
<b>12.00</b>	73.25 FC	36.4 36.5	95.8	96.8
<b>16.00</b>	41.20 FC	48.5 48.7	127.7	129.1
<b>20.00</b>	26.37 FC	60.6 60.9	159.7	161.4
		BEAM ANGLE	FIELD ANGLE	
		113.1°	113.4°	151.9° 152.2°

## DIMENSIONS

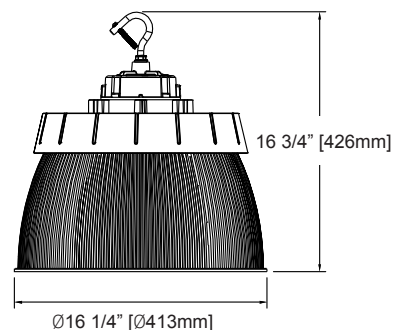
### NO REFLECTOR



### ALUMINUM REFLECTOR



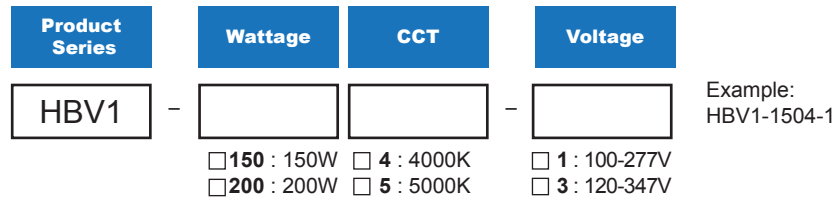
### PRISMATIC REFLECTOR



## AVAILABLE ACCESSORIES

	<b>HBV-REF1-AL-90</b>	90 degree reflector for HBV1-series 100-150W models		<b>HBV-REF1-PC-90</b>	90 degree prismatic reflector for HBV1-series 100-150W models
	<b>HBV-REF2-AL-90</b>	90 degree reflector for HBV1-series 200-240W models		<b>HBV-REF2-PC-90</b>	90 degree prismatic reflector for HBV1-series 200W-240W models
	<b>HB-CARABINER</b>	Carabiner for HBV1 High Bays			

## PRODUCT KEY



1. Due to the special conditions of manufacturing, the typical data of optical specifications can only reflect statistical figures and do not necessarily correspond to the actual parameters of each single product which could differ from the typical data.
2. Exceeding maximum ratings for input voltage and current will cause hazardous overload and will likely destroy the LED fixture.
3. Refer to Warranty Terms & Conditions available at [premiseled.com/warranty](http://premiseled.com/warranty)

Specifications and dimensions  
subject to change without notice.

3401 ENTERPRISE PARKWAY  
BEACHWOOD, OH USA 44122

80-86 CARRIER DRIVE  
TORONTO, ON CANADA M9W 5R1

RD: 06/01/2020