

Model #	
Type	
Project	
Date	

PT3-SERIES LED POLE TOP LUMINAIRES

These PT3-Series LED Pole Top luminaires are a modern twist on the everyday pathway fixture. With a wide beam angle that provides uniform light, these fixtures are the perfect lighting solution for parking lots, parks and retail settings.



HIGHLIGHTS

- Up to 131 lumen/W
- 80+ CRI
- Modern matte black finish to easily complement any environment
- Designed to work in -40°F / -40°C weather
- Field selectable wattage for light output flexibility
- IP65 Rated
- 3-pin twist-lock NEMA photocell socket with shorting cap included
- Glass protective lens with 55W & 100W models, polycarbonate annular lens with 150W models
- Used in parking lots, corporate parks and retail settings
- Backed by a worry-free 10 year warranty

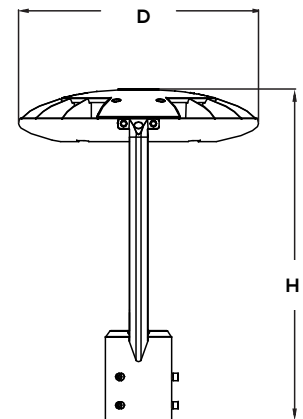


APPLICATIONS

Used in parking lots, corporate parks and retail settings.

DIMENSIONS

VOLTAGE (V)	POWER (W)	D (inches/mm)	H (inches/mm)	WEIGHT (kg/lbs)
120-347V	55W / 40W / 25W (selectable)	Ø15" (380 mm)	20 11/16" (526 mm)	5.0 kg / 11.0 lbs
	100W / 80W / 60W (selectable)	Ø15" (380 mm)	20 11/16" (526 mm)	5.3 kg / 11.7 lbs
	150W / 125W / 100W (selectable)	Ø17 3/4" (450 mm)	25 9/16" (650 mm)	7.8 kg / 17.2 lbs



ORDERING GUIDE

SERIES	POWER (W)	CCT	VOLTAGE & DIMMING
PT3	55G: 55W / 40W / 25W 100G: 100W / 80W / 60W 150G: 150W / 125W / 100W	S: 3000K / 4000K / 5000K	3: 120-347V, 0-10V dimming

MODEL SELECTION

SERIES	-	POWER (W)	CCT	-	VOLTAGE
PT3	-	55G	S	-	3

EXAMPLE: PT3-55GS-3

ACCESSORIES SELECTION

ORDER	MODEL #	DESCRIPTION
	JL-207C	3-pin twist-lock photocell, 120-277V (any wattage)
	JL-207F	3-pin twist-lock photocell, 120-480V (any wattage)

PRODUCT FEATURES

CONSTRUCTION

- Matte black die-cast aluminum
- Glass protective lens with 55W & 100W models, polycarbonate annular lens with 150W models
- 55W/100W: Native 120° beam angle
150W: Native 90° beam angle
- 3-pin twist-lock NEMA photocell socket with shorting cap included

INSTALLATION

- Max. pole/tenon diameter: 3"
Min. pole/tenon diameter: 1-3/4"
- Max. depth of adapter 3-3/8"
- Install screws provided

ELECTRICAL

- "-3" models designed to operate between 120-347V
- 0-10V dimming, dim-to-off
- Power factor >0.9
- THD <20%

LISTINGS & RATINGS

- cULus
- DLC Premium
- Wet Location
- IP65
- Listed for use in
55W/100W: -40°C to 50°C / -40°F to 122°F
150W: -40°C to 45°C / -40°F to 113°F

RATED LIFE & WARRANTY

- LED system: >50,000 hours at L70
- 10 year warranty
(visit premiseled.com/warranty/)

ORDERING INFORMATION

INPUT VOLTAGE	MODEL NUMBER	POWER (W)	CCT (K)	DELIVERED LUMENS (lm)	EFFICACY (lm/W)	DLC PREMIUM
120-347V	PT3-55GS-3	55W	3K	7,207 lm	128.3 lm/W	PLPOG37YKJJK
			4K	7,778 lm	144.1 lm/W	
			5K	7,717 lm	135.8 lm/W	
		40W	3K	5,642 lm	133.2 lm/W	
			4K	5,834 lm	147.5 lm/W	
			5K	5,842 lm	140.1 lm/W	
		25W	3K	3,651 lm	137.2 lm/W	
			4K	3,818 lm	147.1 lm/W	
			5K	3,835 lm	144.1 lm/W	
	PT3-100GS-3	100W	3K	12,289 lm	116.2 lm/W	PL3R4W55UKFS
			4K	12,698 lm	137.3 lm/W	
			5K	13,092 lm	123.5 lm/W	
		80W	3K	9,819 lm	124.6 lm/W	
			4K	10,460 lm	140.9 lm/W	
			5K	10,314 lm	134.7 lm/W	
		60W	3K	7,604 lm	129.6 lm/W	
			4K	8,124 lm	142.3 lm/W	
			5K	8,161 lm	138.0 lm/W	
	PT3-150GS-3	150W	3K	19,265 lm	122.1 lm/W	PLSRE2DCL8U2
			4K	20,602 lm	140.0 lm/W	
			5K	20,262 lm	130.9 lm/W	
125W		3K	17,127 lm	128.1 lm/W		
		4K	18,285 lm	145.1 lm/W		
		5K	18,163 lm	138.2 lm/W		
100W		3K	12,618 lm	130.1 lm/W		
		4K	13,083 lm	143.0 lm/W		
		5K	13,102 lm	139.8 lm/W		

PACKING INFORMATION

MODEL	CASE QUANTITY	PALLET QUANTITY
55W	CASE OF 1	-
100W	CASE OF 1	-
150W	CASE OF 1	-




ELECTRICAL INFORMATION

MODEL	POWER SELECTED (W)	SELECTED CCT (K)	APPARENT POWER (VA)	SYSTEM POWER (W)	CURRENT DRAW AT 120V _{ac}	CURRENT DRAW AT 208V _{ac}	CURRENT DRAW AT 240V _{ac}	CURRENT DRAW AT 277V _{ac}	CURRENT DRAW AT 347V _{ac}
55W	55W	3K	56.9VA	51.3W	0.476A	0.272A	0.237A	0.206A	0.168A
		4K	54.6VA	49.0W	0.459A	0.264A	0.226A	0.197A	0.162A
		5K	57.0VA	51.4W	0.479A	0.274A	0.237A	0.206A	0.168A
	40W	3K	41.5VA	37.2W	0.344A	0.201A	0.174A	0.153A	0.128A
		4K	40.2VA	35.8W	0.334A	0.192A	0.168A	0.147A	0.124A
		5K	41.4VA	37.1W	0.347A	0.200A	0.174A	0.153A	0.128A
	25W	3K	25.9VA	22.6W	0.232A	0.149A	0.136A	0.127A	0.120A
		4K	25.6VA	22.3W	0.225A	0.145A	0.131A	0.122A	0.117A
		5K	26.1VA	22.7W	0.231A	0.149A	0.135A	0.126A	0.120A
100W	100W	3K	102.8VA	90.1W	0.871A	0.499A	0.438A	0.384A	0.317A
		4K	97.2VA	85.5W	0.821A	0.471A	0.410A	0.365A	0.303A
		5K	103.6VA	90.3W	0.883A	0.502A	0.441A	0.386A	0.320A
	80W	3K	79.8VA	70.4W	0.670A	0.390A	0.336A	0.302A	0.257A
		4K	76.7VA	67.4W	0.638A	0.376A	0.329A	0.293A	0.251A
		5K	79.8VA	70.4W	0.663A	0.393A	0.337A	0.303A	0.257A
	60W	3K	61.3VA	53.3W	0.508A	0.300A	0.267A	0.241A	0.213A
		4K	59.0VA	51.2W	0.494A	0.294A	0.256A	0.234A	0.208A
		5K	61.4VA	53.4W	0.517A	0.301A	0.264A	0.242A	0.213A
150W	150W	3K	157.8VA	140.8W	1.315A	0.769A	0.665A	0.581A	0.481A
		4K	150.1VA	134.0W	1.243A	0.729A	0.634A	0.556A	0.459A
		5K	158.5VA	141.3W	1.314A	0.774A	0.668A	0.584A	0.483A
	125W	3K	125.2VA	109.8W	1.038A	0.609A	0.530A	0.465A	0.388A
		4K	114.6VA	100.3W	0.946A	0.557A	0.487A	0.427A	0.360A
		5K	120.4VA	105.8W	0.988A	0.586A	0.510A	0.446A	0.377A
	100W	3K	103.3VA	90.0W	0.850A	0.509A	0.446A	0.392A	0.330A
		4K	99.3VA	86.4W	0.809A	0.486A	0.423A	0.376A	0.320A
		5K	104.9VA	91.5W	0.859A	0.514A	0.450A	0.396A	0.333A

INPUT VOLTAGE	POWER (W)	INRUSH CURRENT (A)	DRIVER SURGE PROTECTION
120-347V	55W	<80A	L/N-PE: 4kV, L-N: 2kV
	100W	<60A	L/N-PE: 6kV, L-N: 4kV
	150W	<80A	

OPTIONAL ACCESSORIES

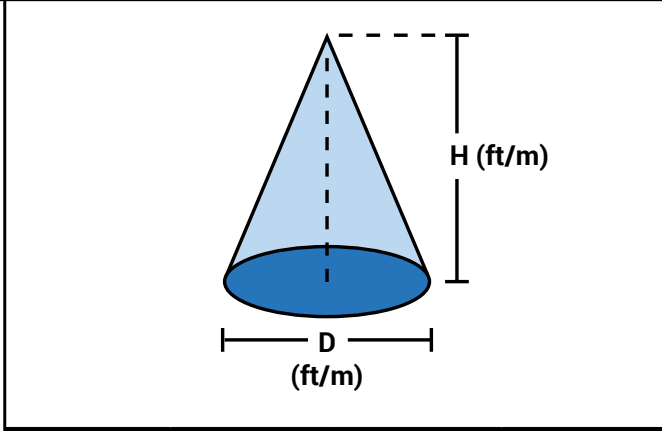
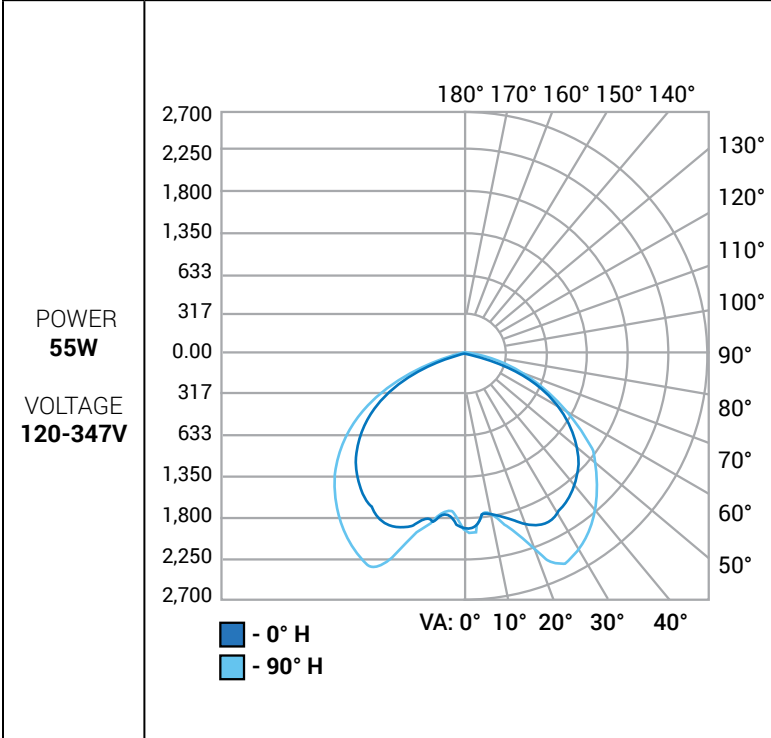
ACCESSORIES

IMAGE	DESCRIPTION	MODEL NUMBER
	Shorting cap for twist-lock photocell socket, IP66 (included)	JL-208 (black)
	3-pin twist-lock photocell, 120-277V, any wattage	JL-207C (blue)
	3-pin twist-lock photocell, 120-480V, any wattage	JL-207F (yellow)

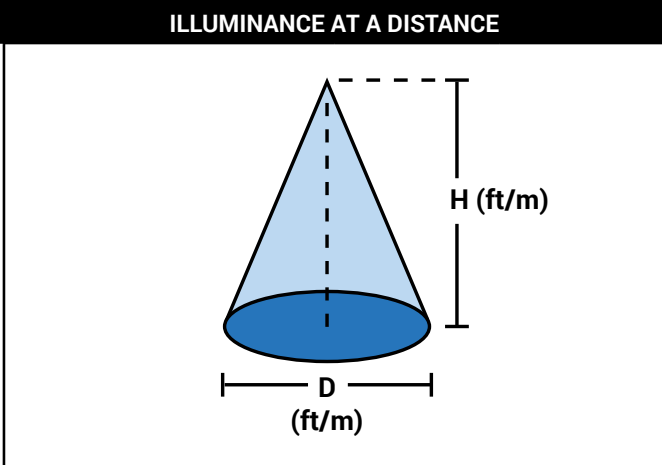
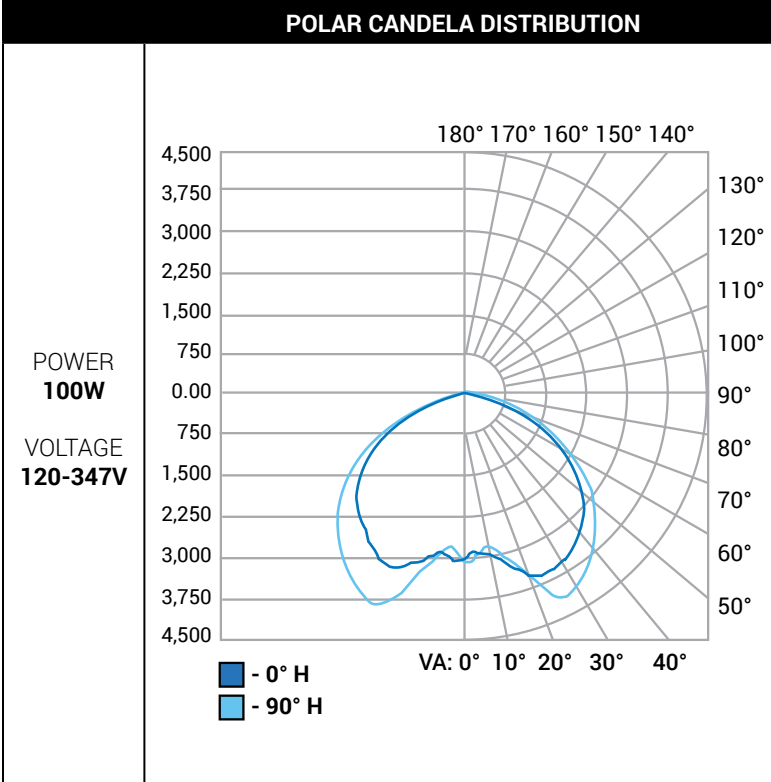
PHOTOMETRIC INFORMATION

POLAR CANDELA DISTRIBUTION

ILLUMINANCE AT A DISTANCE



H (ft/m)	LUX	FC	D (ft/m)
6.6' (2m)	486.5	45.2	22.0' (6.7m)
9.8' (3m)	216.2	20.1	32.9' (10.0m)
13.1' (4m)	121.6	11.3	43.7' (13.3m)
16.4' (5m)	77.8	7.23	54.5' (16.6m)
19.7' (6m)	54.1	5.0	65.7' (20.0m)

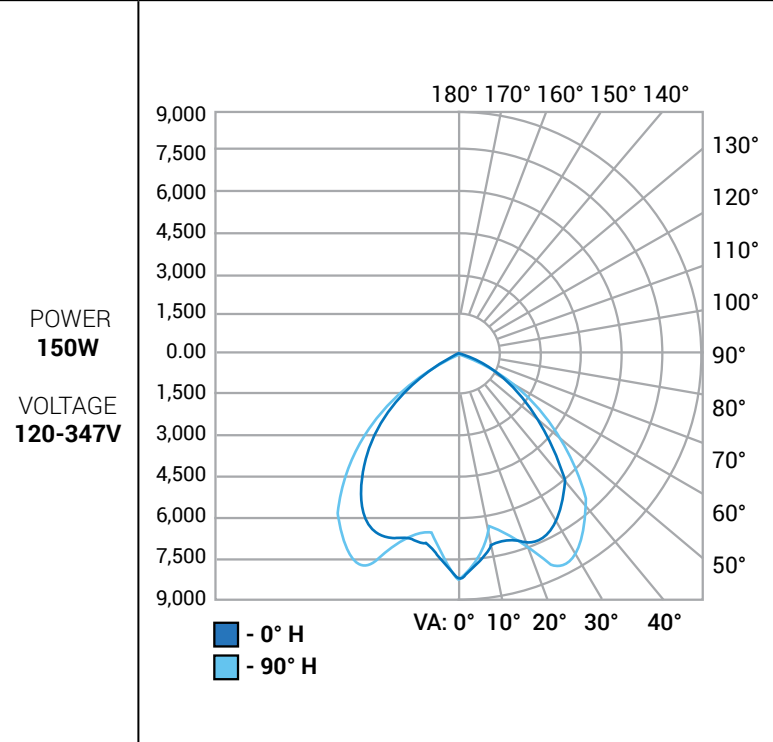


H (ft/m)	LUX	FC	D (ft/m)
6.6' (2m)	773.0	71.8	20.7' (6.3m)
9.8' (3m)	343.5	31.9	31.2' (9.5m)
13.1' (4m)	193.2	18.0	41.4' (12.6m)
16.4' (5m)	123.7	11.5	51.9' (15.8m)
19.7' (6m)	85.9	8.0	62.1' (18.9m)

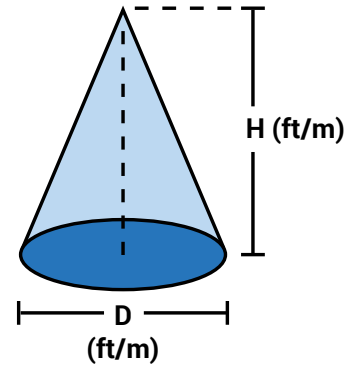
*Based on operation at 4000K & 120V.

PHOTOMETRIC INFORMATION

POLAR CANDELA DISTRIBUTION



ILLUMINANCE AT A DISTANCE



H (ft/m)	LUX	FC	D (ft/m)
6.6' (2m)	2,108.3	195.9	14.5' (4.4m)
9.8' (3m)	937.0	87.0	21.7' (6.6m)
13.1' (4m)	527.1	49.0	28.9' (8.8m)
16.4' (5m)	337.3	31.3	36.1' (11.0m)
19.7' (6m)	234.3	21.8	43.4' (13.2m)

*Based on operation at 4000K & 120V.