

## SAFETY INFORMATION

Please read and understand this entire manual before attempting to assemble, install or operate the product.

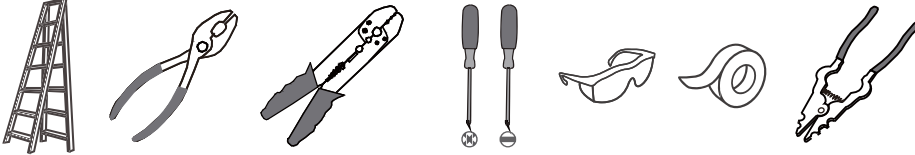
### WARNING

- RISK OF ELECTRIC SHOCK - Before beginning installation, turn off electricity at the circuit breaker box or the main fuse box.
- RISK OF FIRE - Use bulbs specified by the markings and/or labels on the fixture.

### CAUTION

- For your safety, read instructions completely before beginning installation.
- If in doubt about electrical installation, consult a licensed electrician.
- Turn off electricity to fixture before replacing the bulb(s).

### TOOLS REQUIRED

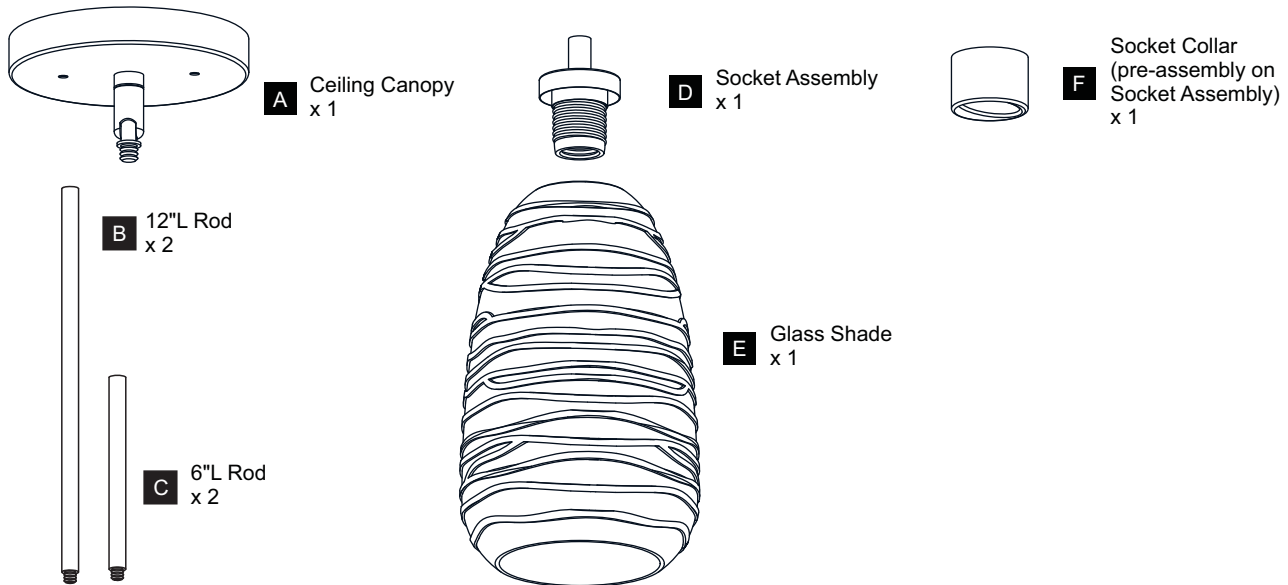


## CARE AND MAINTENANCE

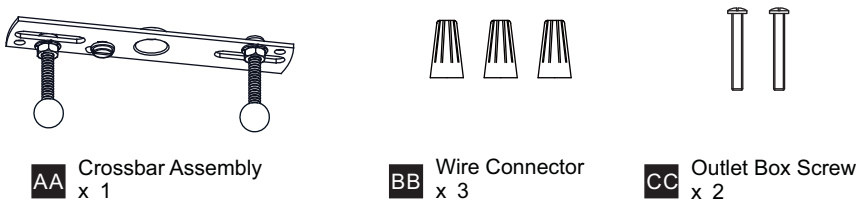
- Wipe clean using soft, dry cloth or static duster. Always avoid using harsh chemicals and abrasives to clean fixture as they may damage the finish.

If you need further assistance call Quozel Customer Care at 1-800-645-3184 (9:00am - 5:00pm EST), or visit us on-line at [www.quozel.com](http://www.quozel.com).

## PACKAGE CONTENTS



## MOUNTING HARDWARE

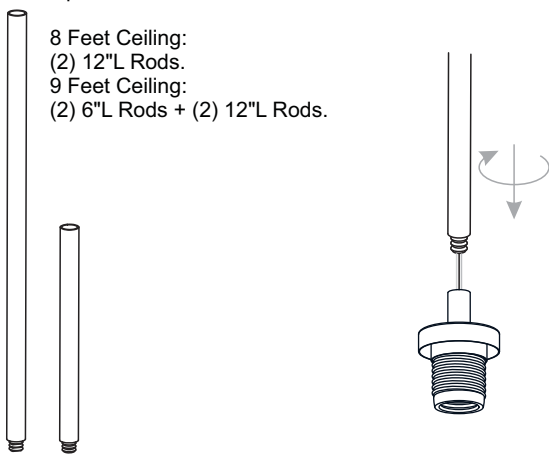


# INSTALLATION

## 1 Install Rods

Optional Rods:

8 Feet Ceiling:  
(2) 12"L Rods.  
9 Feet Ceiling:  
(2) 6"L Rods + (2) 12"L Rods.



The diagram shows two vertical rods of different lengths. To the right, a rod is shown being inserted into a threaded fitting with a downward arrow indicating the direction of insertion.

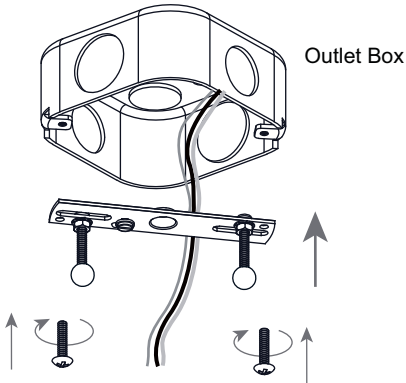
## 2 Install Ceiling Canopy to Upper Rod



The diagram shows a circular ceiling canopy with a central threaded hole. A rod is shown being inserted into this hole from below, with a downward arrow indicating the direction of insertion.

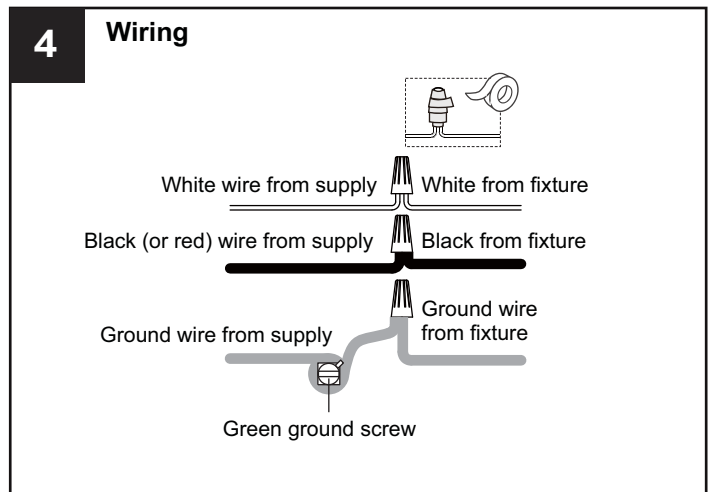
## 3 Install Crossbar Assembly

Outlet Box



The diagram shows a crossbar assembly with two screws being attached to an outlet box. Arrows indicate the direction of the screws being driven into the box.

## 4 Wiring

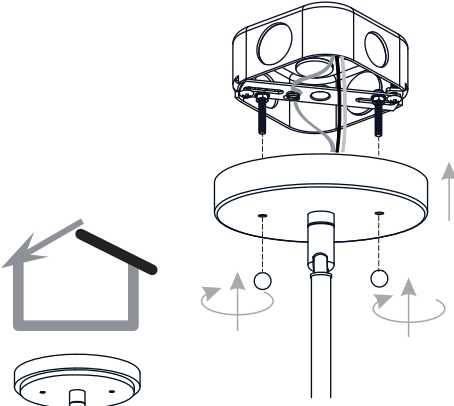


The diagram shows the wiring connections for the fixture. It includes a legend for the wires:

- White wire from supply / White from fixture
- Black (or red) wire from supply / Black from fixture
- Ground wire from supply / Ground wire from fixture
- Green ground screw

The diagram shows the wires being connected to the fixture's terminals and the ground screw.

## 5 Install Ceiling Canopy to Crossbar Assembly



The diagram shows the ceiling canopy being attached to the crossbar assembly. A swivel mechanism is shown, allowing the canopy to be rotated.



90Degree Swivel

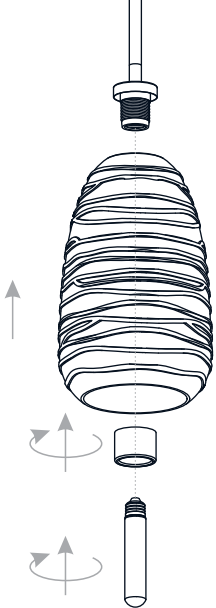
For angled ceilings, Swivel opening towards wall.

## 6 Install Shade and Bulb

Install the correct bulb referring to fixture markings and/or labels for maximum wattage.

**Recommended Bulb Type (not included):**

 BULB BASE TYPE Medium (E26)	 100W MAX BULB TYPE TYPE A
---	--



The diagram shows the shade and bulb being installed on the fixture. The shade is shown being attached to the top of the fixture, and the bulb is shown being inserted into the bottom of the fixture.

Your installation is now complete! Restore electricity and save this sheet for future reference.