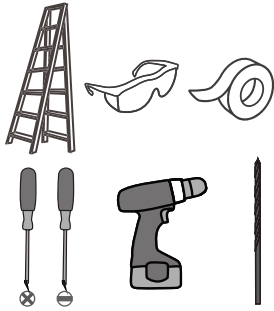
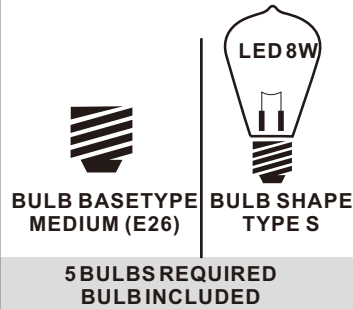


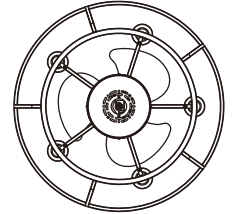
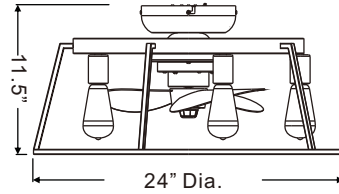
Tools Required



Light Source



Fixture Hanging Height



Warnings and Cautions

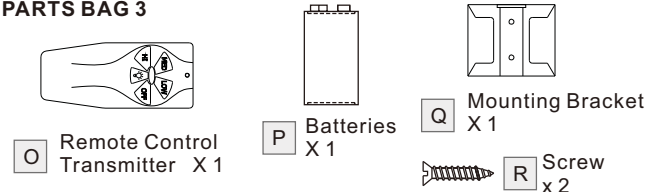
READ AND SAVE THESE INSTRUCTIONS

- 1) Turn off electricity at circuit breaker or main fuse box before installation. Consult a licensed electrician if in doubt.
- 2) These instructions are provided for your safety. It is very important you read them completely before installing the fixture. We strongly recommend that a licensed, professional electrician perform the installation.
- 3) **WARNING-** To Reduce The risk of personal injury, Do not bend the blades when installing the fan, or cleaning the fan. Do not insert foreign objects in between rotating fan blades.
- 4) **WARNING-** To Reduce The Risk Of Fire, Electric Shock, Or Personal Injury, Mount To Outlet Box Marked (Acceptable for Fan Support of 22.7kg(50lbs) or less) And Use Mounting Screws Provided With The Outlet Box.
- 5) All set screws must be checked, and retightened where necessary, before installation.
- 6) After making the wire connections, the wires should be spread apart with the grounded conductor and the equipment-grounding conductor on one side of the outlet box and the ungrounded conductor on the other side of the outlet box.
- 7) Disconnect fixture from the power source before replacing bulbs or cleaning. Make sure the bulbs are given sufficient time to cool before removing.
- 8) Suitable for use with solid-state speed controls.
- 9) Use Only With Light Kits Marked Suitable For Use In Damp Locations
- 10) This unit weighs 5.2KG.

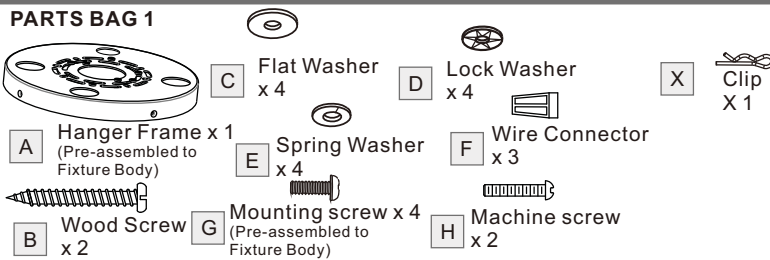
Package Contents

Preparation: Identify and inspect all parts before beginning installation. Check package content list and diagrams below to ensure all parts are present. If any parts are missing or damaged, do not attempt to assemble, install, or operate the fixture. Missing Parts? Contact your original place of purchase.

PARTS BAG 3



PARTS BAG 1



PARTS BAG 2

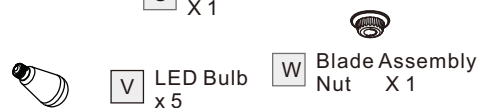
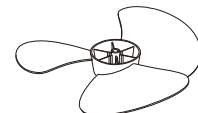
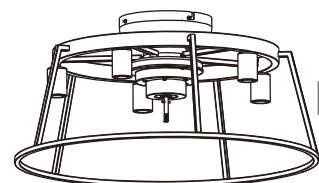
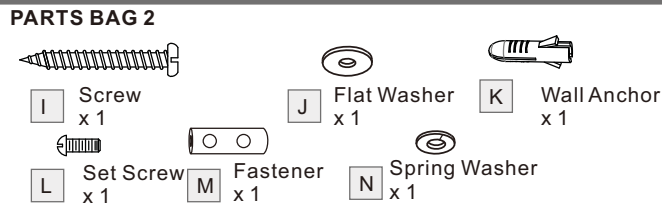
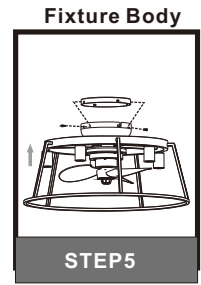
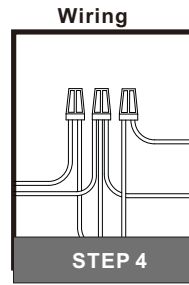
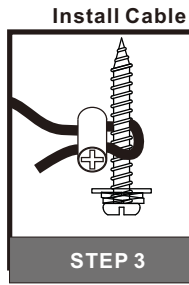
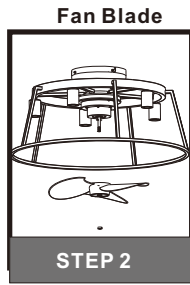
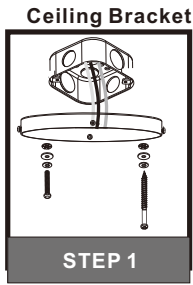
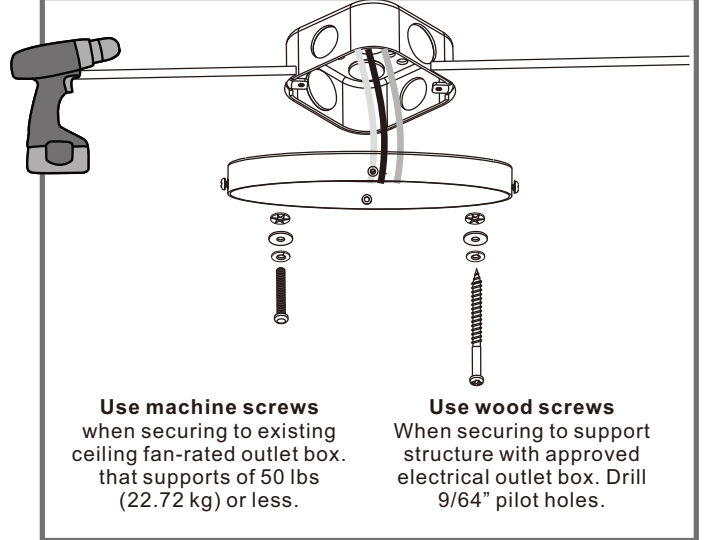
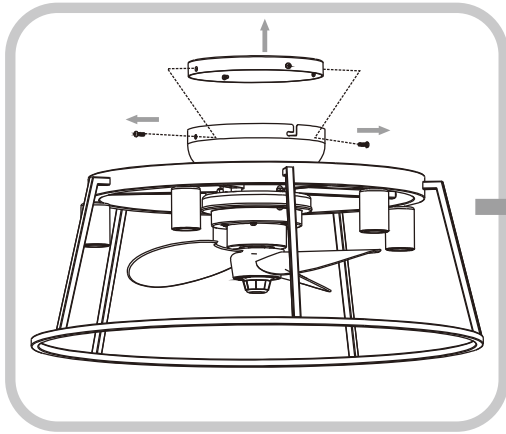


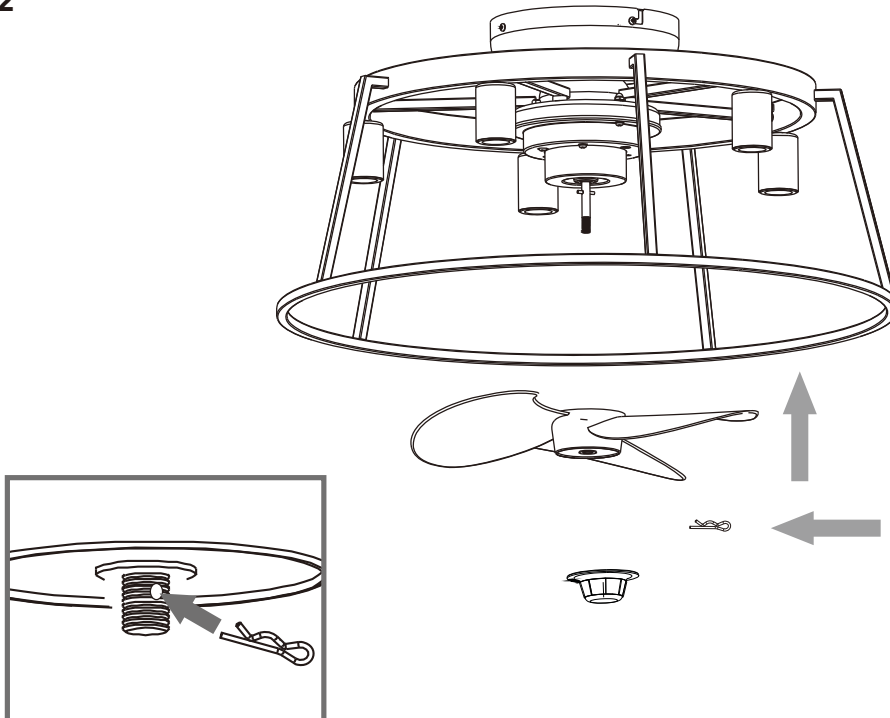
Table of Contents



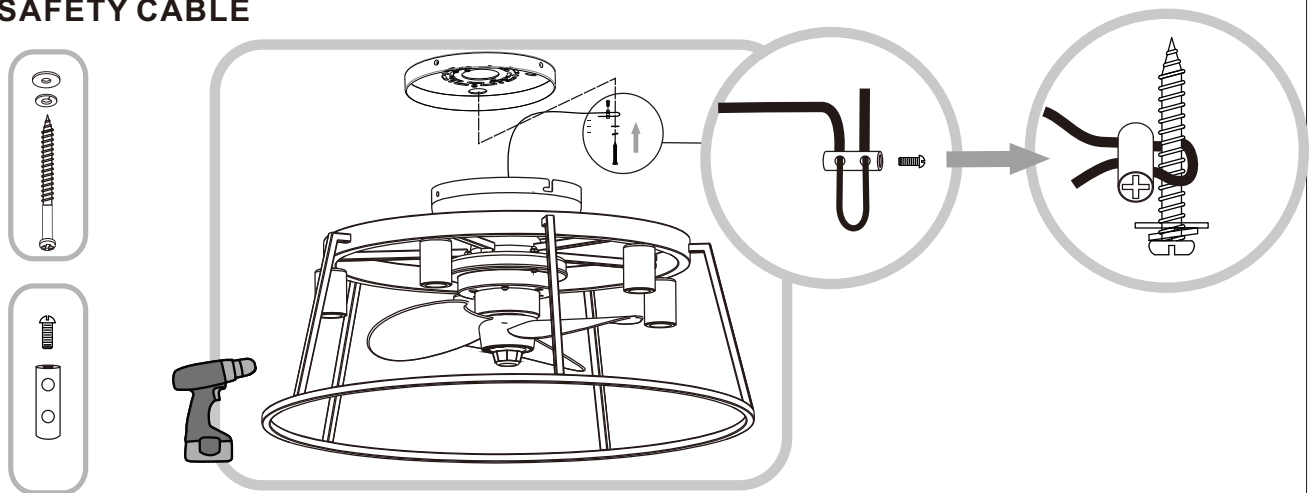
STEP 1



STEP 2



STEP 3-SAFETY CABLE



- A. Pass the cable through one hole on the Fastener first and then turn back to pass the cable through another hole on the Fastener. Make a small loop that is just large enough for the Screw. Once the loop size is determined, thread the Set Screw into the Fastener and hand tighten until snug.
- B. Place the Spring Washer and the Flat Washer onto the Screw and pass the Screw through the Cable loop. Thread the Screw into the ceiling, structural support close to the Hanger Frame. Hand tighten until snug to secure the cable.

Note: If you would like to install the cable to concrete ceiling, Wall Anchors will be required. Using a 5/16-inch drill bit (not included), drill pilot holes at marked locations.

STEP 4

Making the wire connections using the receiver, for use with the remote control

A. Making the Wire Connections

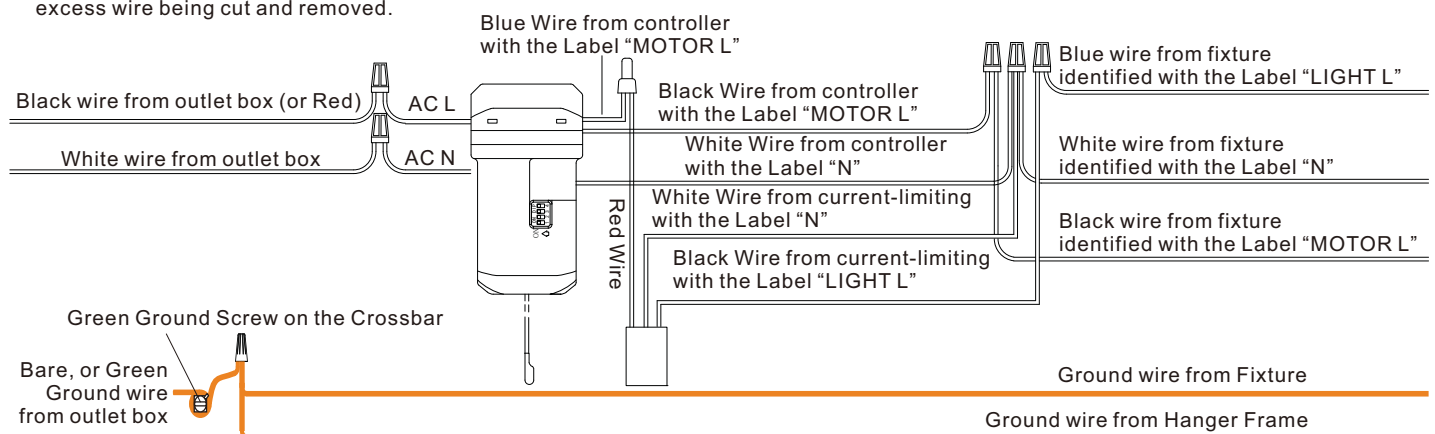
1. Connect fixture wires with label "Light L" together;
2. Connect fixture wires with label "N" together;
3. Connect fixture wires with label " Motor L" together.

B. Making the Wire Connections

1. Wrap bare or green ground wire around green ground screw on the crossbar, no less than 2 inches from the end of the wire. Tighten the green ground screw.
2. Use standard wire connectors (not included) to make all wire

connections. Twist connectors until wires are tightly joined together. Wrap each connection with approved electrical tape and carefully stuff all the connected wires into outlet box.

Note: If the electrical wire is going to be cut shorter than provided you will need to identify the "L" line wire and the "N" neutral wire before you cut the excess wire off. One is labeled N and the other labeled L. To do this separate the "L" line wire and the "N" neutral wire as far as you need to. Re-label the wire near where you want to make the cut. Be sure to mark the wire on the side of the fixture and not on the excess wire being cut and removed.

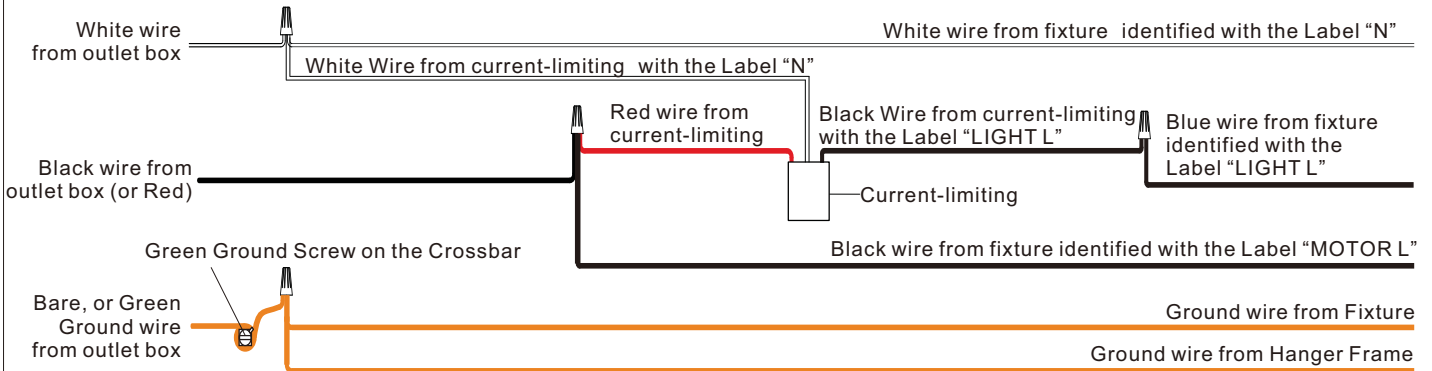


Making the wire connections without the receiver, the fan and light will be controlled by wall switches only.

a. Making the Wire Connections,

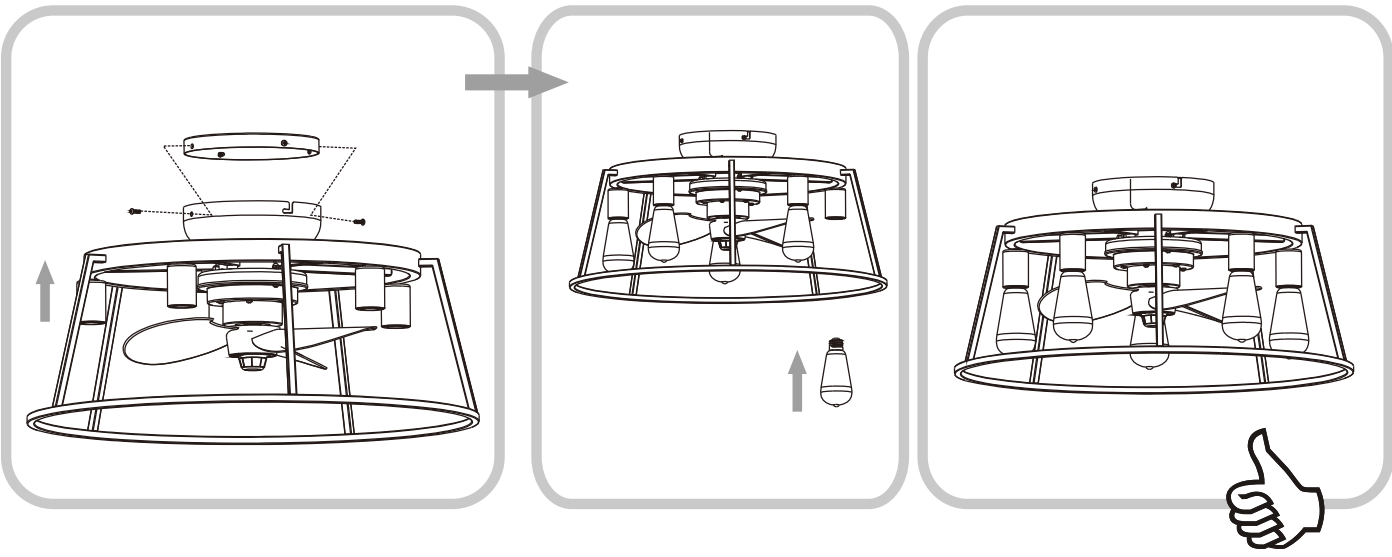
1. Remove the current-limiting from the receiver.
2. Wrap bare or green ground wire around green ground screw on the crossbar, no less than 2 inches from the end of the wire. Tighten the green ground screw.
3. Use standard wire connectors (not included) to make all wire connections. Twist connectors until wires are tightly joined together. Wrap each connection with approved electrical tape and carefully stuff all the connected wires into outlet box.

Note: If the electrical wire is going to be cut shorter than provided you will need to identify the "L" line wire and the "N" neutral wire before you cut the excess wire off. One is labeled N and the other labeled L. To do this separate the "L" line wire and the "N" neutral wire as far as you need to. Re-label the wire near where you want to make the cut. Be sure to mark the wire on the side of the fixture and not on the excess wire being cut and removed.



Warning: If you would like to use wall switch to control the light and fan, please refer to the switch installation instructions.

STEP 5



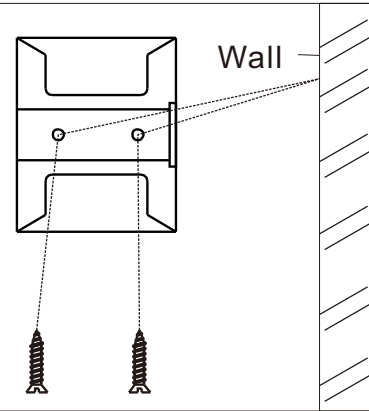
A. Insert the LED bulbs into the socket and thread in place.

NOTE: This product is equipped with a maximum 70W current limiter. The total lamp wattage cannot exceed 70W or the lamp will not light.

STEP 6

Install Remote Control Transmitter Wall Bracket (If being used)

- Place Remote Control Mounting Bracket on the wall in desired location and use two screws supplied to attach to the wall.
- Insert supplied battery in remote control in a position that is shown inside the remote control cover.

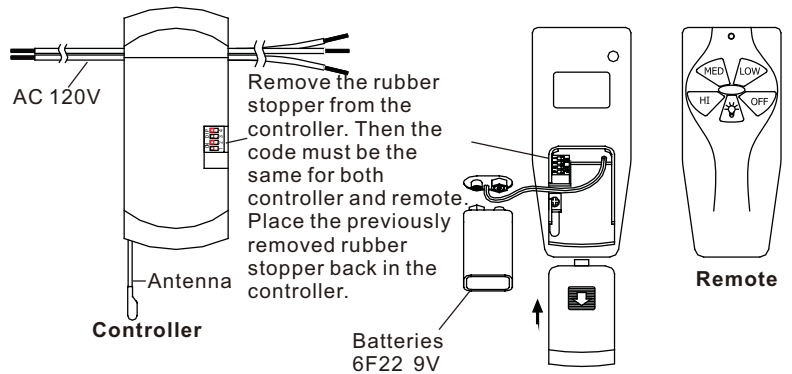


Instructions for fan and light remote control.

1. Setting up the remote

The wireless control is designed to operate both the light and speed of the fan. The remote uses a 9V battery. Remove the remote's back cover and insert the battery. Please make sure the battery is inserted correctly.

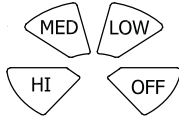
The code for the controller and remote must be the same. You can manually adjust the code as shown to the right.



2. Operating instructions



- Turn on power and press (light) key on the remote to turn on the lights. Press the key again to turn off. Long press this button, the bulb will be dimmable.



- (Four speed buttons) These are the four keys for adjusting fan speed

Warning: changes or modifications to this unit not expressly approved by the party responsible for compliance could void user's authority to operate the equipment.

STEP 9

How to Operate Your Ceiling Fan

- If airflow is desired in the opposite direction, turn the fan off and wait for the blades to stop turning. Then slide the reverse switch on top of motor assembly to the opposite position and turn fan on again.

Note: Push the reverse switch to Left or Right completely

Reverse Switch Information		
Season	Rotation Direction	Switch Position
Summer	Counterclockwise	Left
Winter	Clockwise	Right

