

Please go to www. quozel. com for product cleaning tips. Go to the **Care + Maintenance** selection.

Tools Required: Flathead screwdriver, Phillips screwdriver, pliers, wire cutters, wire strippers, electrical tape, safety glasses.

Light Source: LED 21W

Estimated Assembly Time: 20-30 minutes

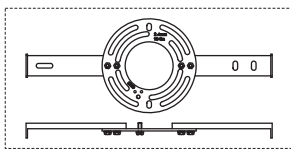
Preparation: Identify and inspect all parts before beginning installation. Check package content list and diagrams below to be sure all parts are present. If any parts are missing or damaged, do not attempt to assemble, install, or operate the fixture. Contact customer service for replacement parts.

⚠ Warnings and Cautions

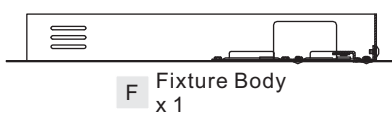
Turn off electricity at circuit breaker or main fuse box before installation. Consult a licensed electrician if in doubt.

These instructions are provided for your safety. It is very important you read them completely before installing the fixture. We strongly recommend that a licensed, professional electrician perform the installation.

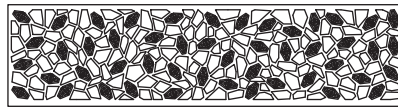
Package Contents



A Crossbar Assembly
x 1



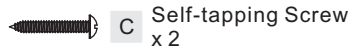
F Fixture Body
x 1



G Shade
x 1



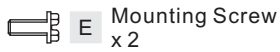
B Wall Anchor
x 2



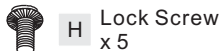
C Self-tapping Screw
x 2



D Flat Washer
x 7



E Mounting Screw
x 2



H Lock Screw
x 5

STEP 1 - Attach Shade to Fixture Body

A. Attach the Shade (G) to the Fixture Body (F) and line up the tabs on the top edge of the Shade (G) to the holes on Fixture Body (F). Place Washers (D) over Lock Screws (H) and thread Lock Screws (H) into mounting holes on the tabs to secure the Shade (G). Tighten until snug.

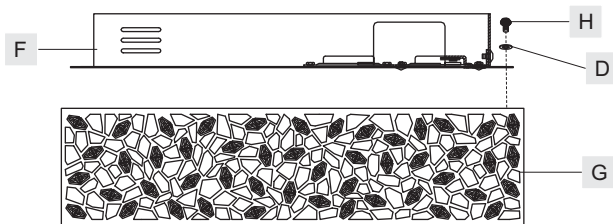


Figure 1

STEP 2 - Attach Crossbar Assembly to Outlet Box

- Attach the Crossbar Assembly (A) onto the Outlet Box and make two marks on the wall from keyholes on the flat strap of the Crossbar Assembly (A).
- Remove the Crossbar Assembly (A) and drill proper holes on the wall from marks. Insert Wall Anchors (B) into the holes properly.
- Attach the Crossbar Assembly (A) to Outlet Box. Thread Outlet Box Screws (not Supplied) into mounting holes on the Outlet Box. Pass

(Step 2 Continued)

Washers (D) over Self-tapping Screws (C) and thread Self-tapping Screws (C) into Wall Anchors (B). Hand tighten until snug.

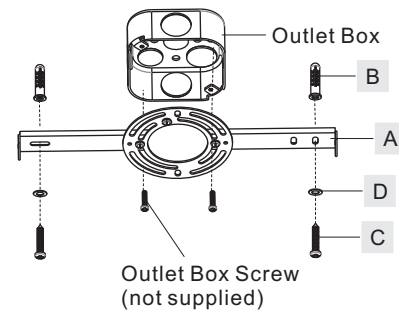


Figure 2

STEP 3 - Wire Connections

A. Use standard wire connectors (not included) to make all wire connections. Twist connectors until wires are tightly joined together. Wrap each connection with approved electrical tape and carefully stuff all the connected wires into the Outlet Box.

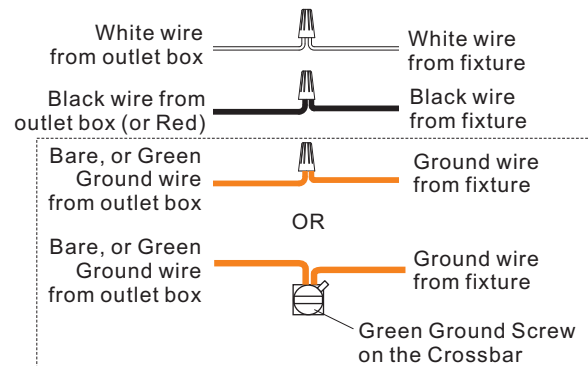


Figure 3

Thank you for purchasing a Quoizel product.
Need assistance with parts or assembly? Call Quoizel customer service at 1-800-645-3184
or visit us on-line at www. quozel. com

STEP 4 – Attach Fixture Body to Crossbar

A. Fit excess cord and electrical wires in the ceiling canopy properly. Line up the holes on the side of the ceiling canopy to the mounting holes on the Crossbar Assembly (A). Secure them with Mounting Screws (E). Tighten until snug.

Your fixture is now assembled and ready to use. Enjoy!

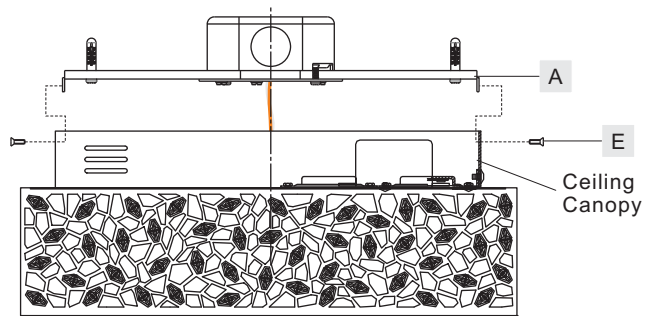
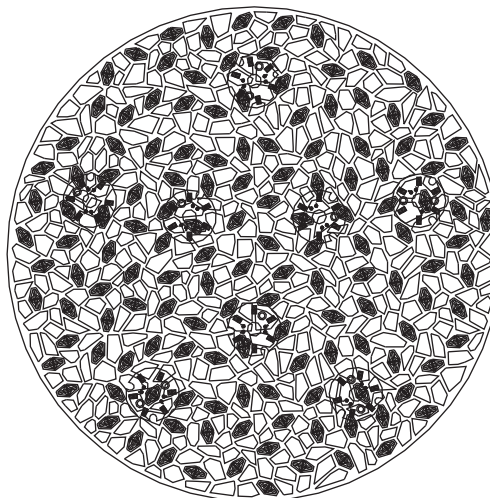
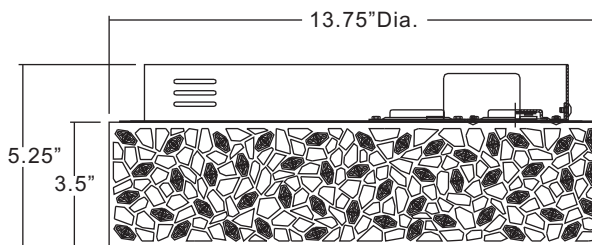
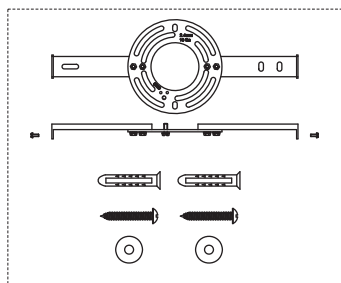


Figure 4

PCST1614C

FINISH: POLISHED CHROME



NOTE: ALL DIMENSIONS ARE ROUNDED UP TO THE NEAREST 1/4"

Thank you for purchasing a Quoizel product.
Need assistance with parts or assembly? Call Quoizel customer service at 1-800-645-3184
or visit us on-line at www.quoizel.com