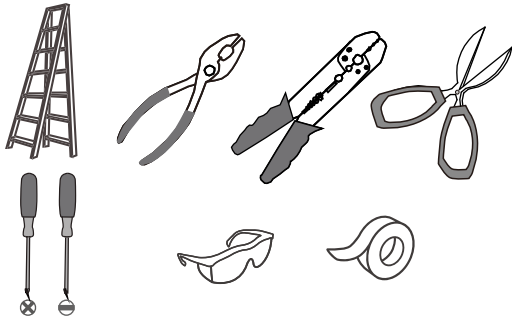
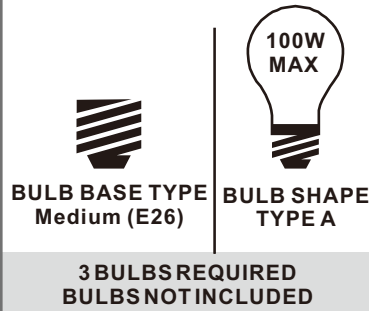


Tools Required



Light Source



**Fixture Height Adjustable
10.25" to 46.25"**

⚠ Warnings and Cautions

Turn off the electricity at the circuit breaker before installation. Consult a licensed electrician if in doubt about installation.

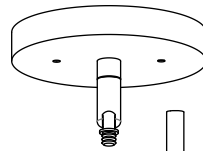
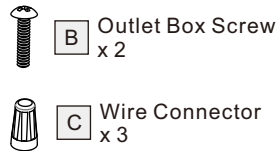
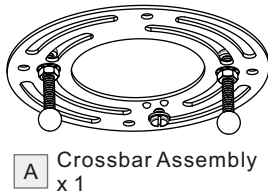
Turn off power to the fixture and allow the bulbs to cool before replacing.

Package Contents

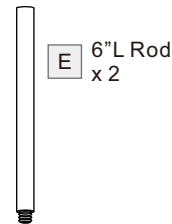
Preparation: Identify and inspect all parts before beginning the installation.

Missing or damaged parts? Contact your original place of purchase.

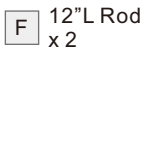
PARTS BAG



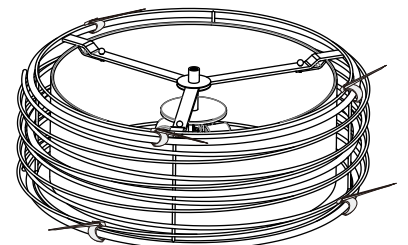
D Ceiling Canopy Assembly x 1



E 6" L Rod x 2



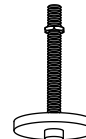
F 12" L Rod x 2



G Fixture Body x 1



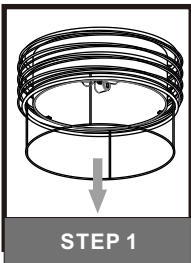
H Diffuser x 1



I Nipple assembly x 1

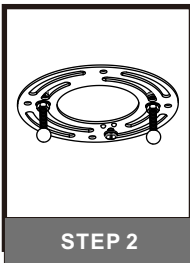
Table of Contents

Remove support cage



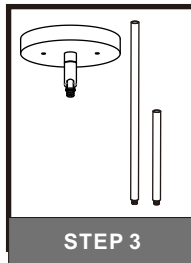
STEP 1

Crossbar Assembly



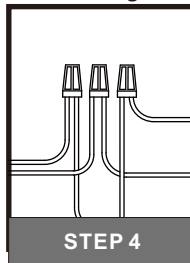
STEP 2

Ceiling Canopy Assembly & Downrod



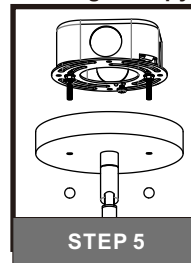
STEP 3

Wiring



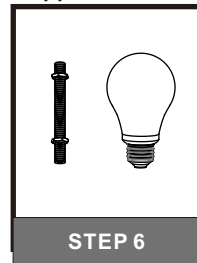
STEP 4

Ceiling Canopy



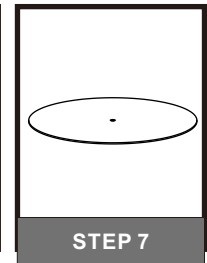
STEP 5

Nipple and Bulb



STEP 6

Diffuser

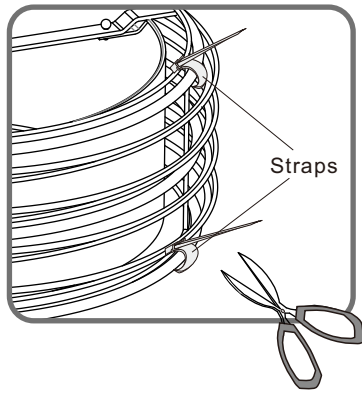


STEP 7

STEP 1

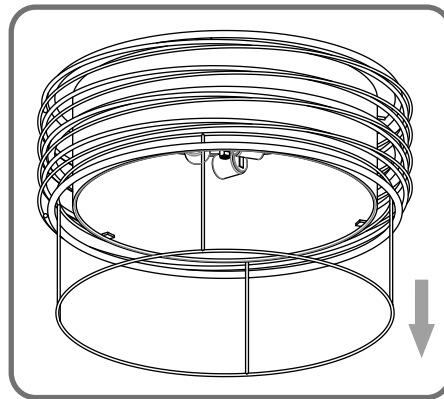
1

Cut straps



2

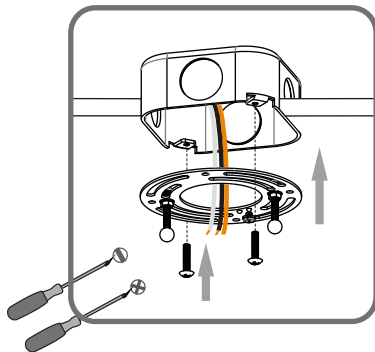
Remove support cage



STEP 2

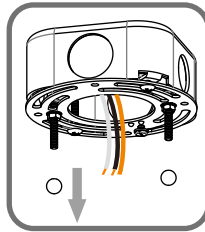
1

Step 1
Install crossbar assembly

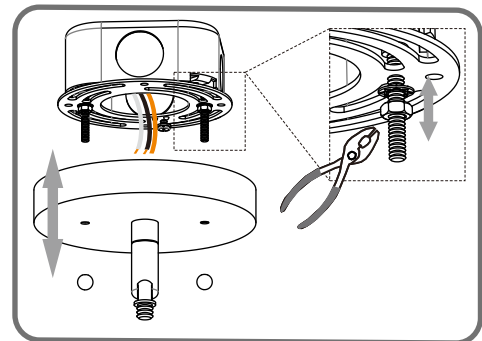


2

Step 2 - 3
Test fitting ceiling canopy to
mounting screws



3



STEP 3

OPTION 1 Pendant — SPL2820K

Optional Rods

8' ceiling:
(2) 12"L rods

9' ceiling:
(2) 6"L + (2) 12"L rods

1
Install rods

2
Tighten hex nut inside of the ceiling canopy

3
Install Ceiling Canopy

OPTION 2 Semi-flush — SPL1720K

1
Optional: Remove swivel

2
Install ceiling canopy

STEP 4

White wire (neutral) from outlet box

Black or Red wire (hot) from outlet box

Bare or Green ground wire from outlet box

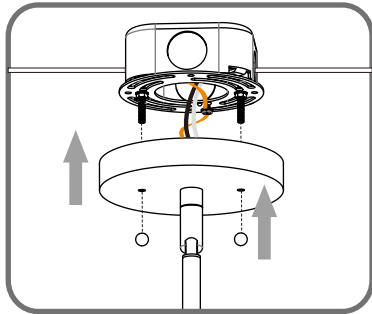
White wire from fixture

Black wire from fixture

Ground wire from Fixture

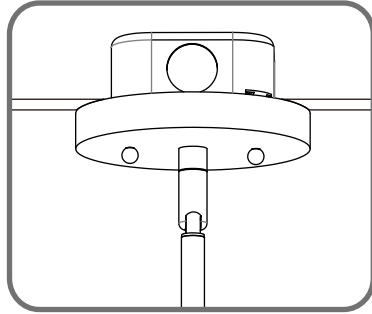
*Green Ground Screw on crossbar optional

STEP 5



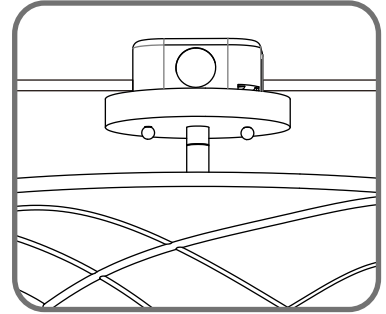
OPTION 1

SPL2820K



OPTION 2

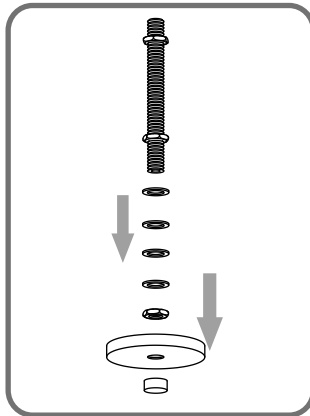
SPL1720K



STEP 6

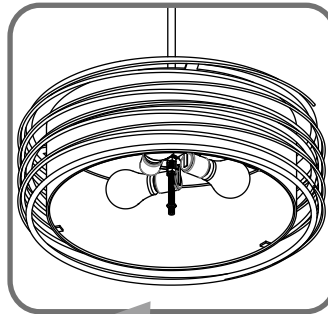
1

Remove finial, cap, (1) hex nut and washers from nipple



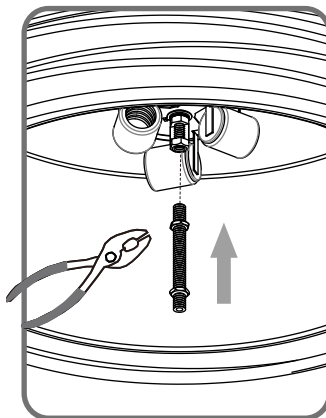
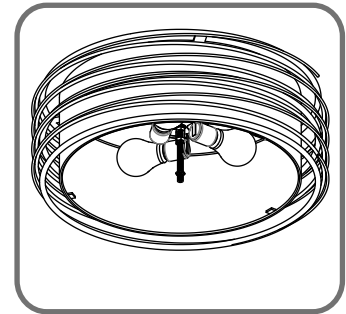
OPTION 1

SPL2820K

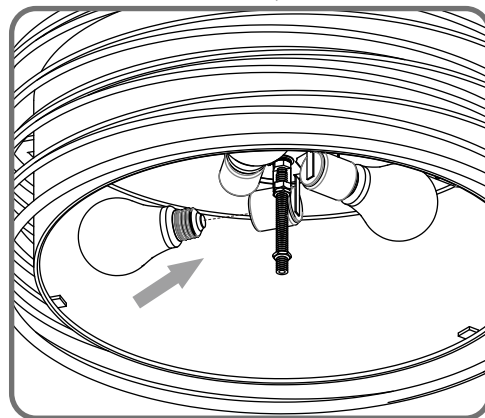


OPTION 2

SPL1720K



Install nipple with hex nuts



Install bulb

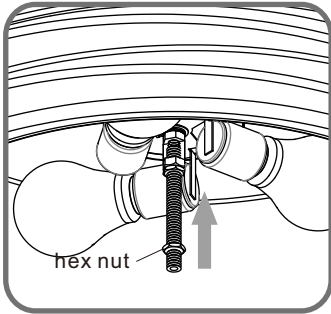
2

3

STEP 7

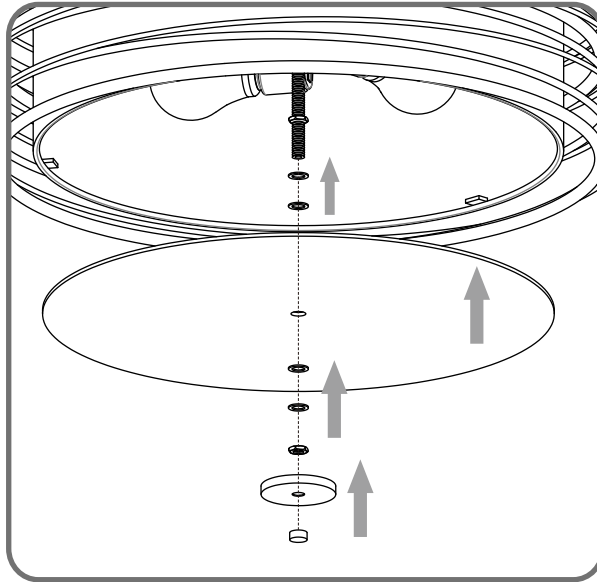
1

Turn the hex nut upward



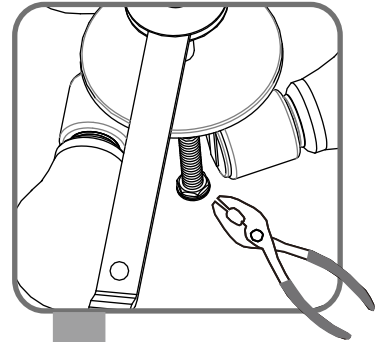
2

Install diffuser and finial



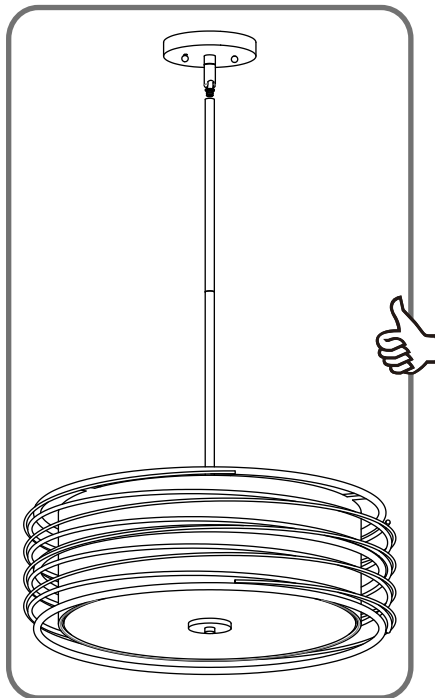
3

Tighten hex nut against the diffuser



OPTION 1

SPL2820K



OPTION 2

SPL1720K

