

The highbay LED provides well distributed, uniform lighting and is ideal for manufacturing, warehouses, and other large indoor spaces. It is an ideal one-for-one replacement for conventional lighting systems such as HID and fluorescent.



APPLICATIONS

Ideal for manufacturing, warehouses and other large indoor spaces with mounting heights from 10'-40'.

Project	
Type	
Date	
Notes	

SPECIFICATIONS

Construction

Housing is made from aluminum and steel. An aluminum heat sink allows fixture to perform at warm temperatures. A simple disconnect plug allows for easy installation.

Electrical

The standard fixture has a high efficiency LED driver that operates at 120-277V. 347V is available as an option. Dimming is standard. 10KV surge suppression is standard.

Optics

Leds have a colour temperature of 4,000K. 5,000K is available as an option. The CRI is greater than 80 and the operating temperature range is -30°C to +55°C.

Lens

Standard fixture comes without lens. Clear and frosted lenses are available as options.

Finish

Standard finish is white.

Options

Battery back up
Dimmable motion sensor
Wireguard
Clear lens
Frosted lens
Ceiling mount brackets

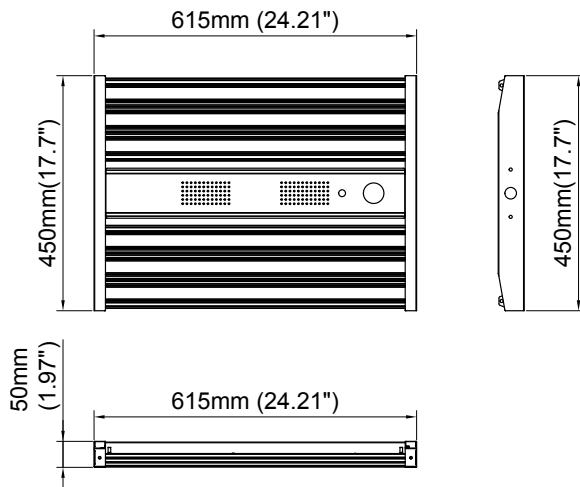
Mounting

Suspended mount with suspending chain. Six foot chain is included with the fixture. Optional ceiling mount bracket allows for surface mounting (order separately).

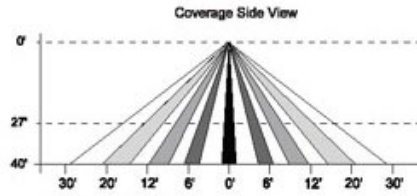
Watts	159W
Lumens	27,030
Efficacy	170

Certification	cULus, DLC
Operating Temp.	-30°C to +55°C
Colour Temp.	4,000K (standard) 5,000K (option)
LED Life	100,000 hours
Warranty	5 years
Power Factor	0.95
Total Harmonic Distortion	15%
CRI	80

DIMENSIONS



OPTIONAL PASSIVE INFRARED SENSOR



- 0 – 10VDC dimming control
- Multi level dimming from 10%-30%
- Time delay can be set from 5 – 30 minutes
- 360° Range - 40 ft high x 30 ft across

Sensor Default Setting

The sensor has the following default setting:

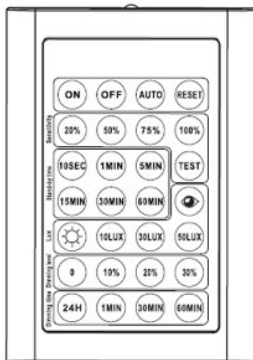
- Sensitivity – 100%
- Standby Time – 5 minutes
- Daylight setting – ☀
- Dimming level – 20%
- Dimming time – 60 mins

Where:

1. Sensitivity is the responsiveness to detect movement.
2. Standby time denotes how long the lights remain at 100% lux levels once the sensor is activated
3. Daylight sensor setting sets the natural light levels needed for the sensor to shut off the fixture. The default setting deactivates the daylight sensor completely.
4. Dimming level indicates the level at which light drops after no motion has been detected during the standby time.
5. Dimming time is how long the light will remain at the low dim level on without activity before it turns off

Sensor is fully adjustable. For custom settings, order Sensor Remote separately.

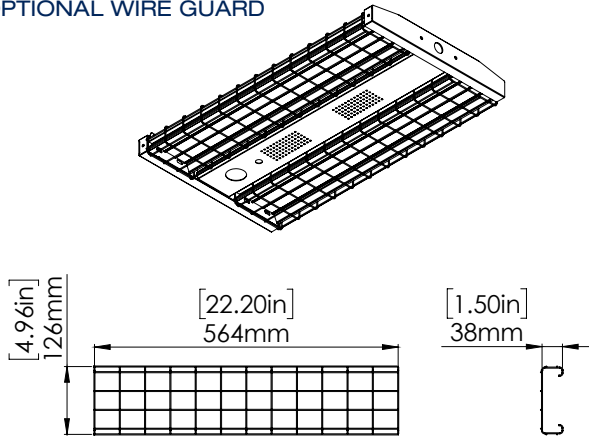
Programming



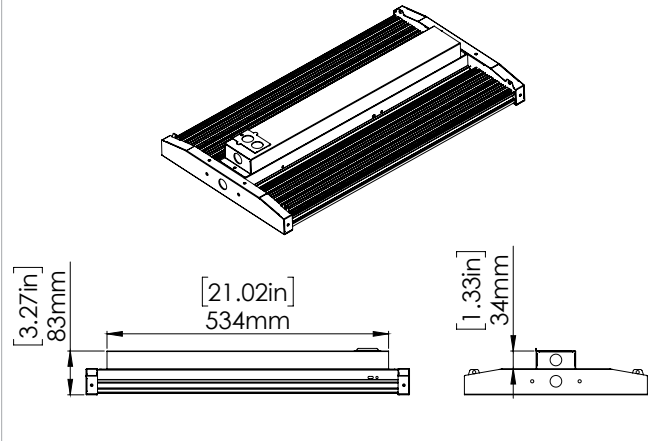
	<p>The light either permanently turns ON / OFF. Sensor is disabled.</p>		<p>Long press for 3-4s for the sensor to go into test mode which allows the user to test the motion sensor sensitivity in the daylight by disabling the dimming time period and lux level.</p>
	<p>Turns the fixture ON with the last saved settings.</p>		<p>Pressing this button will reset the light to default setting.</p> <ol style="list-style-type: none"> 1. 100% Sensor sensitivity 2. 5 min stand-by time 3. Lux level at daylight threshold 4. 20% dimming level 5. 60 min dimming period
	<p>Set the sensitivity and range of the motion sensor.</p>		<p>Set the hold – time. When sensor detects motion, the light stays on at the maximum light level for the hold-time period chosen.</p>
	<p>When pressed, sensor will measure the Lux level of the surrounding area and save it. The light will adjust its dimming level based on the changes occurring with the surrounding ambient light</p>		<p>Set the Lux level for the light to operate. The light will turn on after the surrounding light level is less than the light level set on the sensor except the daylight option which disables the Lux settings.</p>
	<p>Set the Stand-by dimming level.</p>		<p>Set the dimming time period. (If set at 24H, the light stays ON). When sensor detects no motion it will stay ON at the dimming level set, for the chosen time.</p>

ACCESSORIES (ORDER SEPARATELY)

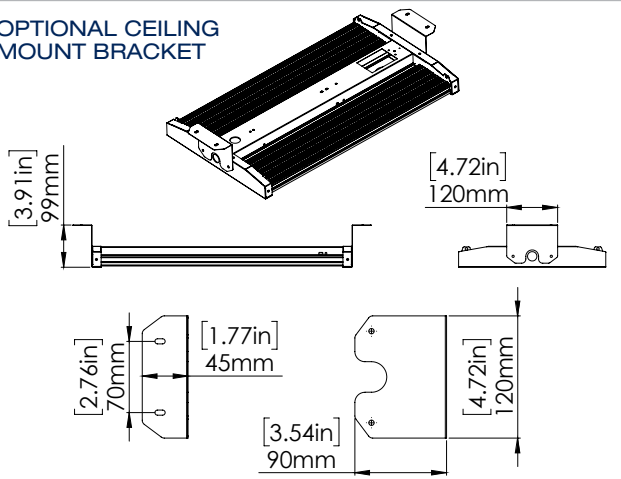
OPTIONAL WIRE GUARD



OPTIONAL BATTERY BACKUP



OPTIONAL CEILING MOUNT BRACKET

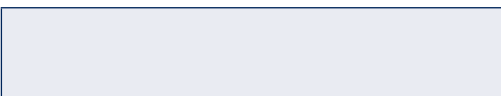


ORDERING GUIDE

HB	-	LED150	-		-	DIM	-	
				VOLTAGE		COLOUR TEMP.		DRIVER
				B - 120 - 277V*		4K - 4000K*		DIM - 0-10V Dimming*
				C - 347V		5K - 5000K		
								OPTIONS
								BBK - Battery back up
								DMS - Dimmable Smart Sensor

* Standard configuration

ACCESSORIES (ORDER SEPARATELY)



OPTIONS

- CL - Clear lens
- FL- Frosted lens
- WG - Wireguard
- CM - Ceiling mount brackets
- Motion sensor remote control