



# LND/LNUD-LED

Linear Direct/Indirect

Colour  
Selectable



## IDEAL APPLICATIONS

- Hallways
- Boardrooms
- Offices
- Reception Areas

## DESCRIPTION:

The LND/LNUD-LED Series are linear direct/indirect architectural fixtures that create a sleek, modern look for commercial spaces. These fixtures are versatile with features such as colour selection, multiple mounting options and connector accessories which facilitate lighting set ups in different shapes and configurations.

## FEATURES:

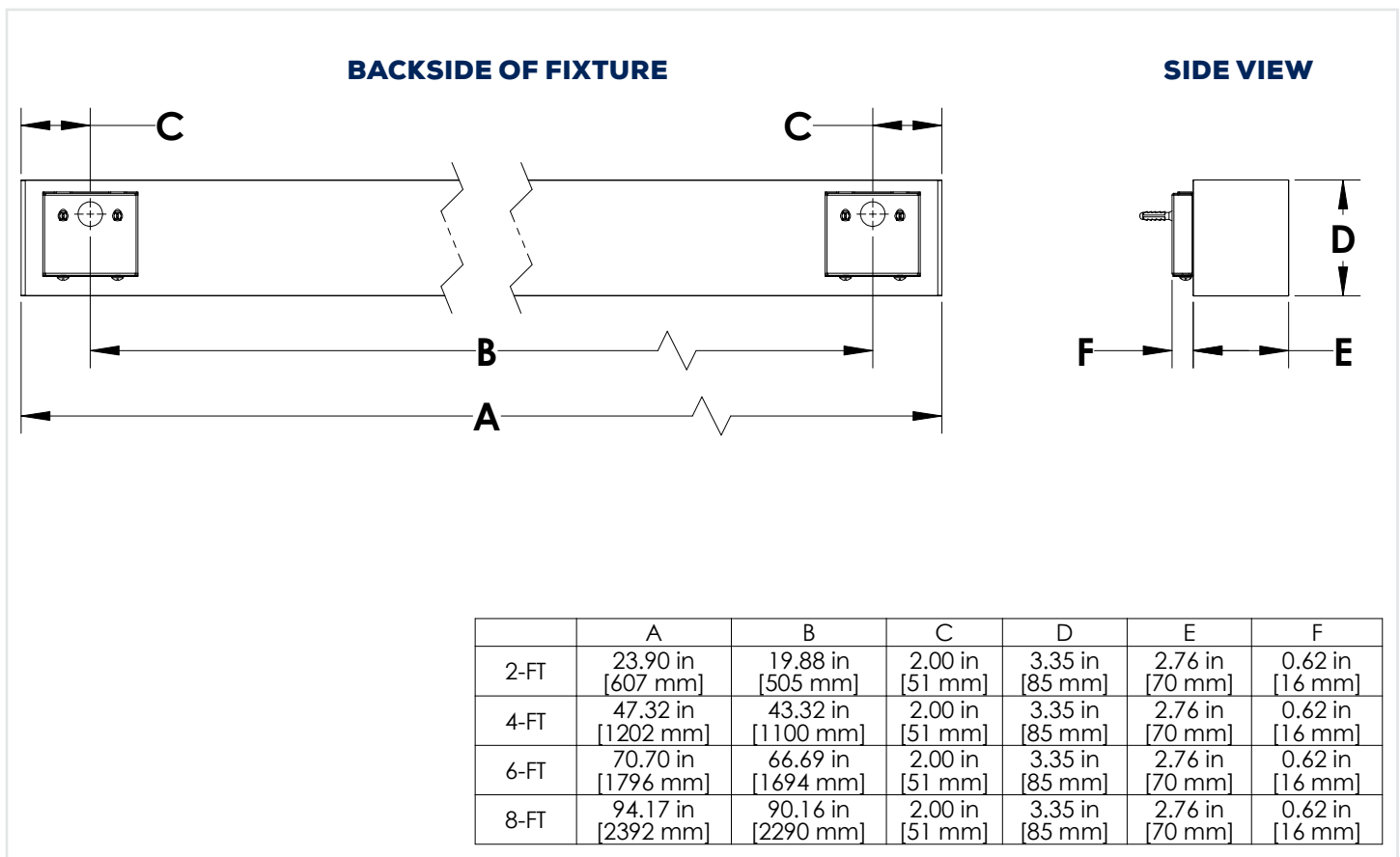
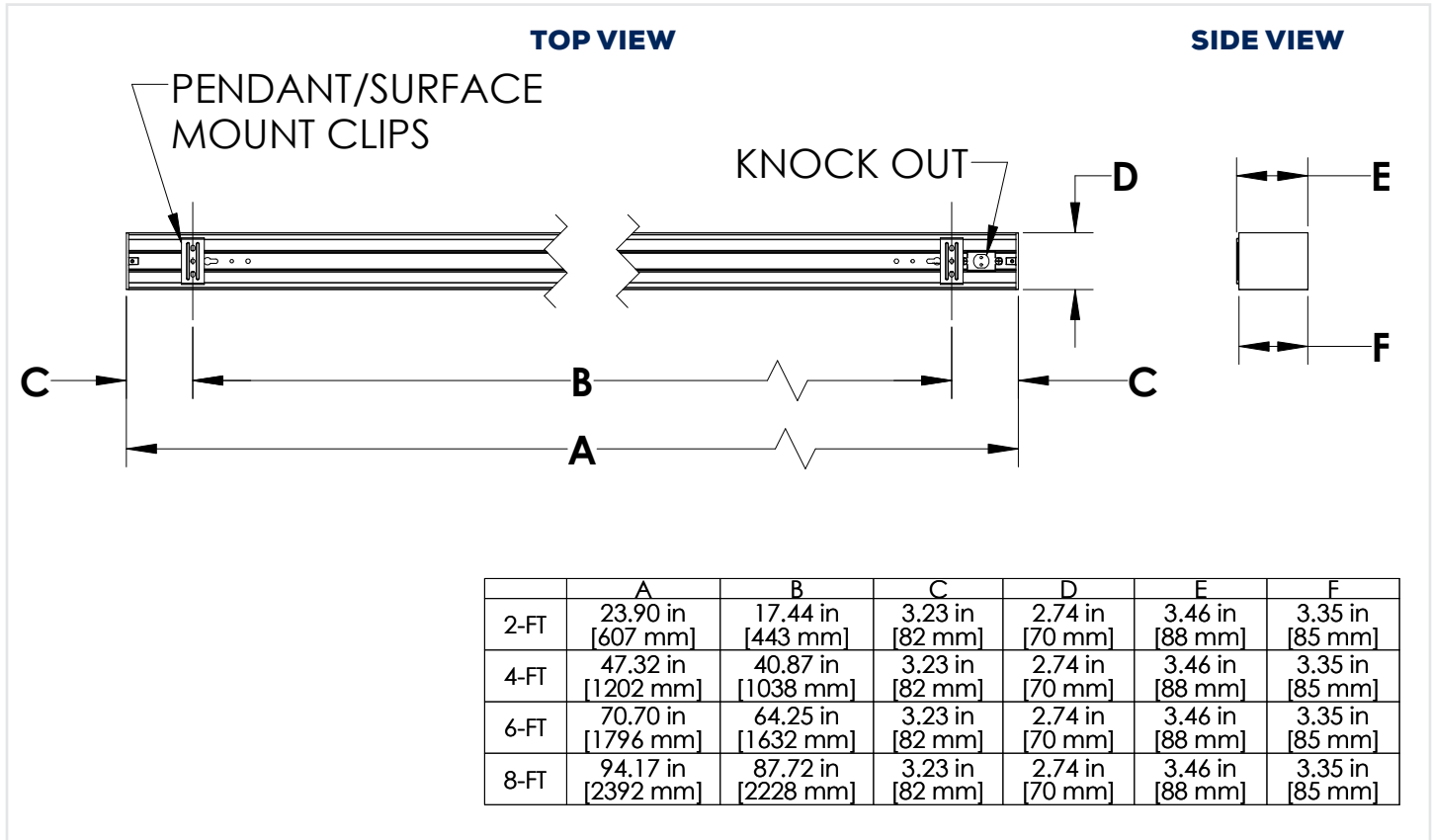
- Sleek linear fixtures for direct/indirect lighting.
- Available in 2', 4', 6', 8' lengths
- Fixtures can be connected in straight runs or in different configurations using connector accessories. Examples include Octagon, Square, Rectangle, Cross, T and Y shape.
- The fixtures can be connected in the linear configuration through the bracket by simply removing the end caps and connecting the fixtures together.
- Connectors include LED boards in the downward orientation to provide seamless continued illumination in any pattern.
- The direct lighting from the fixtures have a beam angle distribution of 90 degrees.
- Ceiling mount is standard, wall mount is factory installed, suspension mount and recessed mount are options sold separately.
- Can do runs of up to 64' with one power supply.
- Fixtures are colour selectable allowing you to choose between 3000K/4000K/5000K at the time of installation.
- 0-10V dimming (5-100%) is standard.
- TRIAC Dimming is optional.
- Standard finish is white or black, other custom colors are available.
- Optional factory-installed smart lighting control available: Lutron Athena Wireless smart control allows zone and control changes digitally and wirelessly.

SPECIFICATIONS	LND/LNUD24 -LED20	LND/LNUD48 -LED40	LND/LNUD72 -LED60	LND/LNUD96 -LED80
Orientation	Down light (LND) or Updown light (LNUD)			
Length	2'	4'	6'	8'
Watts	20 W	40 W	60 W	80 W
Lumens (LND)	2,420 Lm	4,801 Lm	7,293 Lm	9,733 Lm
Lumens (LNUD)	2,600 Lm	5,186 Lm	7,872 Lm	10,491 Lm
Efficacy (Lm/W)	121 Lm/W	120.8 Lm/W	121.6 Lm/W	121.7 Lm/W
Voltage	120 - 277V*, 120 - 347V			
Colour Temp.	VK - Colour Selectable 3000K/4000K/5000K			
Finish	White*, Black*, Custom Colour			
Housing Details	Extruded Aluminum			
Mounting	Ceiling/Surface Mount*, Suspension Mount, Wall Mount, Recessed Mount			
THD	15%	7%	15%	
PF	0.9	0.95	0.9	
LED Life (L77)	100,000 hours			
Operating Temp.	-30°C to +40°C			
CRI	84			
Dimming	0-10V Dimming (5%-100%)*, TRIAC Dimming			
Certifications	UL, Damp Location, 5 Year Warranty, DLC 5.1			
Factory Installed Options	Battery Backup, Wall Mount, Recessed Mount, Lutron Athena Wireless Lighting Control.			
Options Sold Separately	65" Suspension mount kit, Y config Suspension mount kit, 90 L connector, T connector, X connector, 120 L connector, Y connector			

\* Standard Configuration

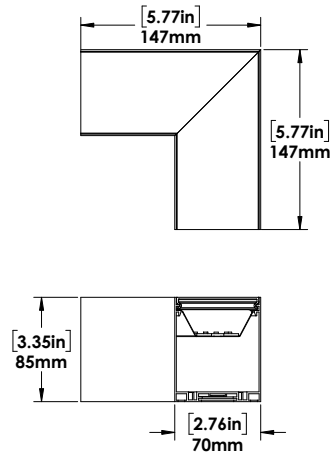


# DIMENSIONS

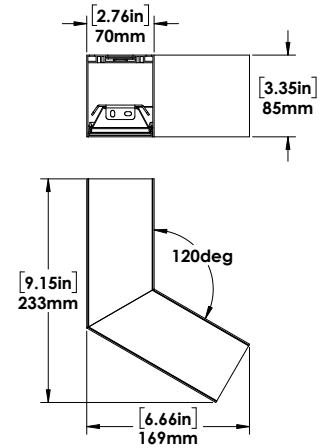


# ACCESSORIES DIMENSIONS

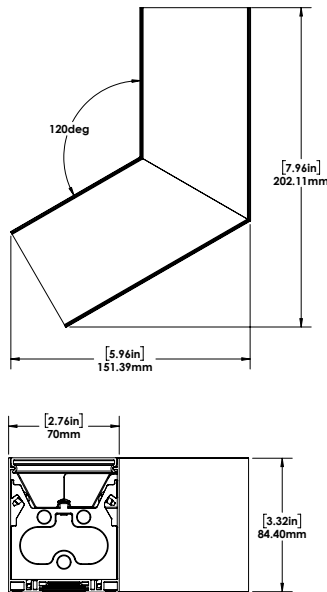
**L90 INSIDE CONNECTOR**



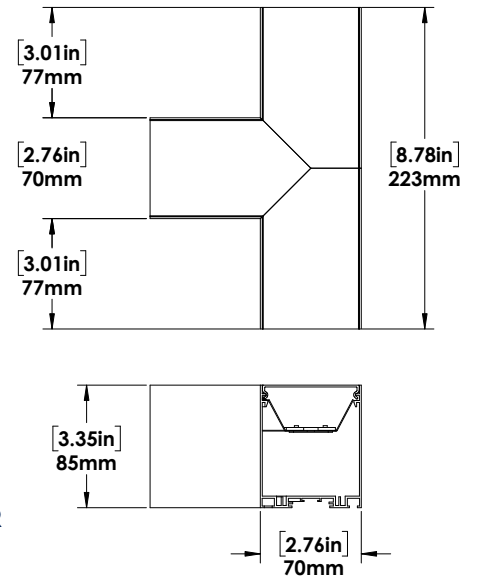
**L120 INSIDE CONNECTOR**



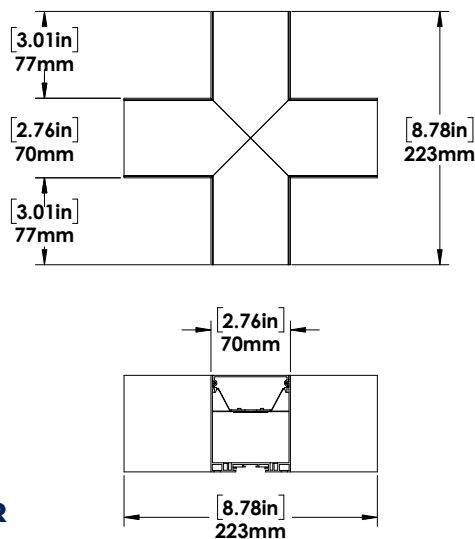
**L120 INSIDE CONNECTOR (94.5 mm)**



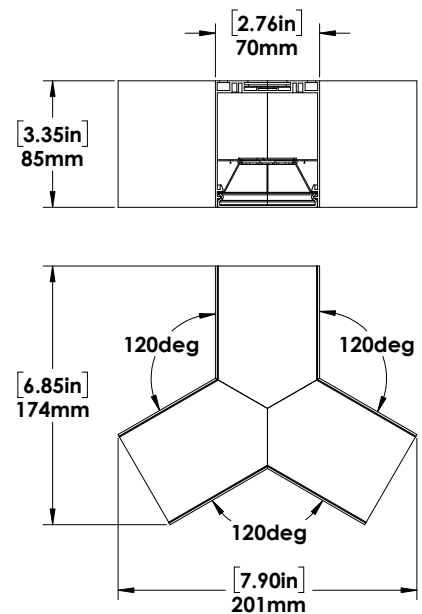
**T INSIDE CONNECTOR**



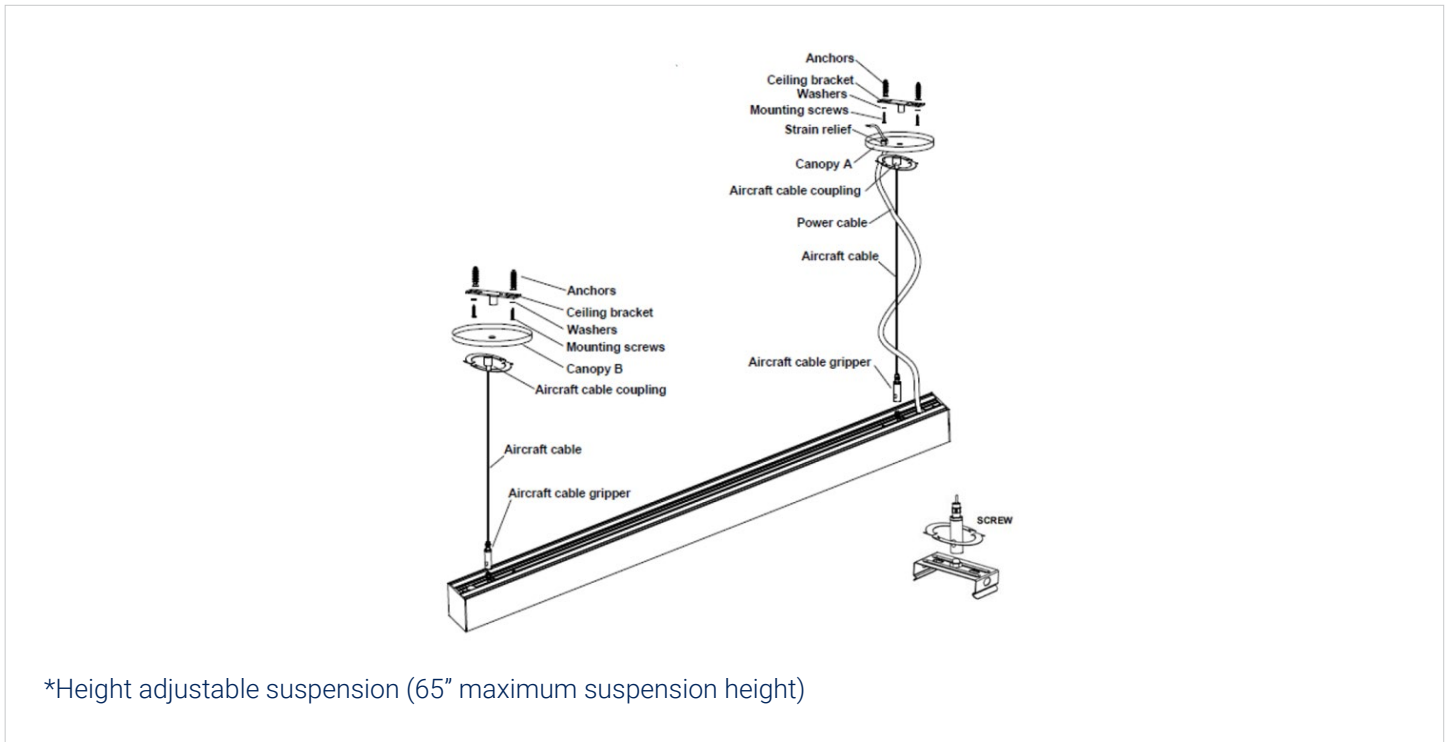
**X INSIDE CONNECTOR**



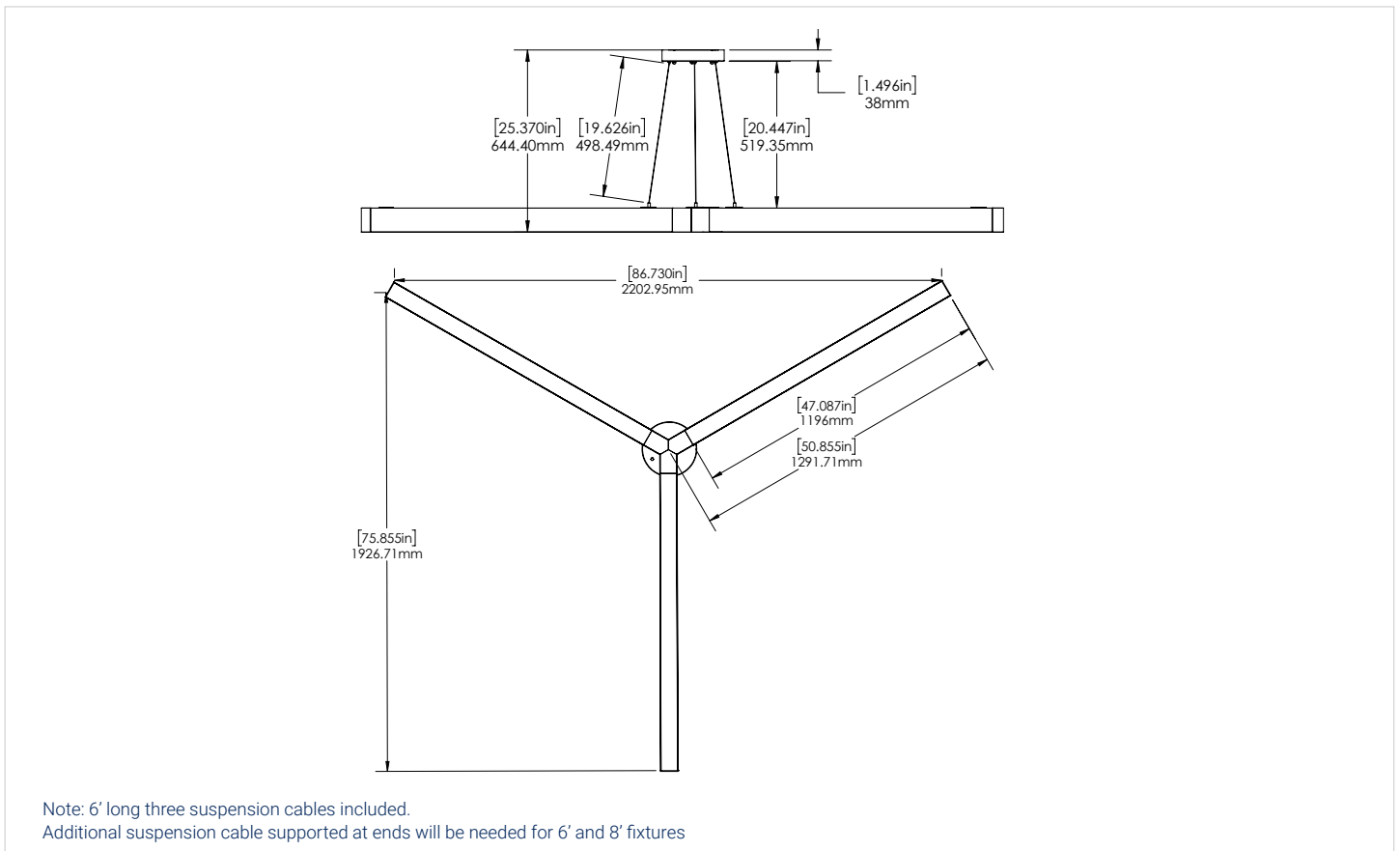
**Y INSIDE CONNECTOR**



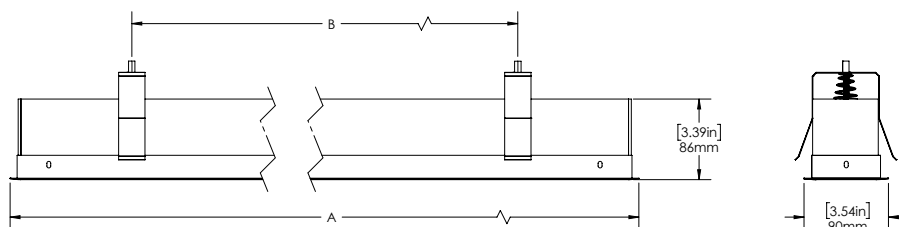
## SUSPENSION MOUNT KIT



## Y CONFIGURATION SUSPENSION MOUNT KIT



## RECESSED MOUNT KIT



	A	B
LND24	[24.71in] 627.63mm	[14.52in] 368.80mm
LND48	[48.13in] 1222.62mm	[37.94in] 963.67mm
LND72	[71.51in] 1816.35mm	[61.32in] 1557.52mm
LND96	[94.98in] 2412.49mm	[84.79in] 2153.66mm

### AMPERAGE DRAW & SURGE PROTECTION

	CURRENT (A)					SURGE PROTECTION (kV)	
	120V	208V	240V	277V	347V	120-277V	120-347V
LND/LNUD24-LED20	0.18A	0.11A	0.09A	0.08A	0.07A	2.5kV	2kV
LND/LNUD48-LED40	0.35A	0.21A	0.18A	0.16A	0.13A	2kV	
LND/LNUD72-LED60	0.53A	0.31A	0.27A	0.23A	0.19A	2kV	
LND/LNUD96-LED80	0.7A	0.41A	0.35A	0.31A	0.25A	2kV	

### WEIGHT (LBS)

LND/LNUD24-LED20	3.5
LND/LNUD48-LED40	5.5
LND/LNUD72-LED60	8.5
LND/LNUD96-LED80	10

### LUMEN MAINTENANCE

	50,000 HRS	75,000 HRS	100,000 HRS
LND/LNUD24-LED20 LND/LNUD48-LED40 LND/LNUD72-LED60 LND/LNUD96-LED80	87.9%	82.3%	77.1%

### MAX CONNECTED IN SERIES

FIXTURE	MAX
LND/LNUD24-LED20	30
LND/LNUD48-LED40	15
LND/LNUD72-LED60	10
LND/LNUD96-LED80	8

### LND SPECIFICATIONS

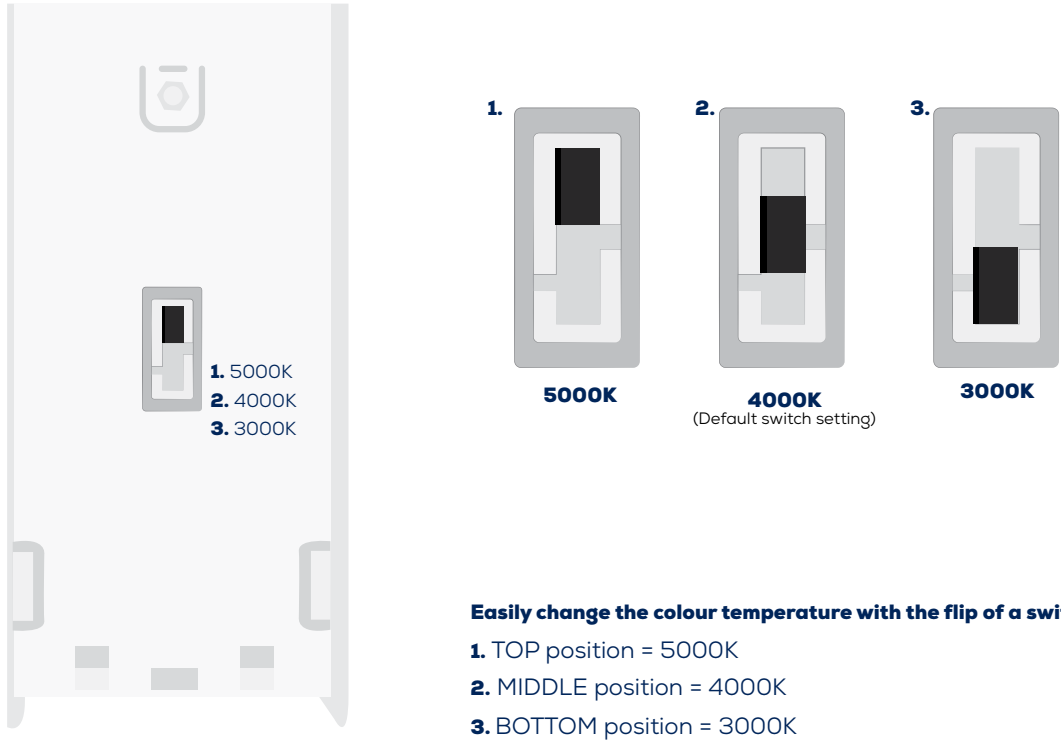
Model Number	Voltage (V)	Power (W)	Light Output (lm)	Efficacy (lm/W)	THD (%)	PF	CCT (K)
LND24-LED20-B-VK-XXX-DIM	120-277	20	2420	121.0	>15	0.900	3K/4K/5K
LND48-LED40-B-VK-XXX-DIM	120-277	40	4801	120.8	7.0	0.952	3K/4K/5K
LND72-LED60-B-VK-XXX-DIM	120-277	60	7293	121.6	15.0	0.900	3K/4K/5K
LND96-LED80-B-VK-XXX-DIM	120-277	80	9733	121.7	15.0	0.900	3K/4K/5K
LND24-LED20-H-VK-XXX-DIM	120-347	20	2420	121.0	>15	0.900	3K/4K/5K
LND48-LED40-H-VK-XXX-DIM	120-347	40	4799	120.5	7.1	0.939	3K/4K/5K
LND72-LED60-H-VK-XXX-DIM	120-347	60	7331	121.3	7.0	0.939	3K/4K/5K
LND96-LED80-H-VK-XXX-DIM	120-347	80	9767	121.4	7.1	0.939	3K/4K/5K

### LNUD SPECIFICATIONS

Model Number	Voltage (V)	Power (W)	Light Output (lm)	Uplight Output* (lm)	Downlight Output* (lm)	Efficacy (lm/W)	THD (%)	PF	CCT (K)
LNUD24-LED20-B-VK-XXX-DIM	120-277	20	2600	650	1950	130.0	>15	0.900	3K/4K/5K
LNUD48-LED40-B-VK-XXX-DIM	120-277	40	5186	1297	3890	130.7	6.8	0.956	3K/4K/5K
LNUD72-LED60-B-VK-XXX-DIM	120-277	60	7872	1968	5904	131.2	15.0	0.900	3K/4K/5K
LNUD96-LED80-B-VK-XXX-DIM	120-277	80	10491	2623	7868	131.1	15.0	0.900	3K/4K/5K
LNUD24-LED20-H-VK-XXX-DIM	120-347	20	2540	635	1905	127.0	>15	0.900	3K/4K/5K
LNUD48-LED40-H-VK-XXX-DIM	120-347	39	5018	1255	3764	127.4	7.5	0.938	3K/4K/5K
LNUD72-LED60-H-VK-XXX-DIM	120-347	60	7661	1915	5746	127.9	8.1	0.939	3K/4K/5K
LNUD96-LED80-H-VK-XXX-DIM	120-347	80	10231	2558	7673	127.8	6.3	0.940	3K/4K/5K

\*Estimated calculations based on 25% uplight and 75% downlight lumen output.

## COLOUR SELECTABLE SWITCH



The switch is located inside of the fixture.

**Easily change the colour temperature with the flip of a switch.**

1. TOP position = 5000K
2. MIDDLE position = 4000K
3. BOTTOM position = 3000K

## BATTERY BACK UP DETAILS:

TECHNICAL SPECIFICATIONS	
Rated Input Voltage	100-347VAC
Input Current	20-100mA
Input Power	8W
Power Factor	0.6 @ 100VAC, 0.5 @347 VAC
Output Voltage (Emergency Mode)	8V
Recharge Current	0-200mA
Recharge Time	24 Hours
Discharge Time	90 Minutes
Maximum Case Temperature Tc	70°C
Ambient Operating Temperature Ta	10-60°C
Service Life	50,000 Hours
RFI/EMI	FCC

\*Battery Back Up is factory installed inside housing.

Note: Lumen output with emergency battery backup can be calculated by multiplying battery power output with efficacy of fixture.

## ORDERING GUIDE:

VK

Fixture	Wattage	Voltage	Colour Temp.	Paint Finish	Driver	Controls	Mounting	Options
LND24	LED20	B - 120-277V*	VK - Colour Selectable	WHT - White*	DIM - 0 -10V Dimming*	BLANK - No Controls*	BLANK - Ceiling Surface Mount	BBK8 - 8W Battery Backup**
LND48	LED40	H - 120-347V		BLK - Black*				
LND72	LED60			CC - Custom Colour	TRIAC - TRIAC Dimming***	AWN - Lutron Smart Control****	WM - Wall Mount	
LND96	LED80					AWNS - Lutron Smart Control w/ Sensor****	RM - Recessed Mount	
LNUD24								
LNUD48								
LNUD72								
LNUD96								

\* Standard Configuration

\*\*Battery will only power the unit in which it is installed in and not power additional units in a run of fixtures.

\*\*\*Choose input voltage A - 120V when ordering TRIAC dimming.

\*\*\*\*Factory installed Lutron Athena Wireless Node with RF only (A-WN-D01-RF-XX) or with Daylight and Occupancy Sensor (A-WN-D01-OCC-XX with maximum 12ft mounting height). Gateway and controller not included. Cannot be used with Recessed mount option.

Note: Suspension Mount Kit will be available in White and Black finish only. Suspension mount kit needs to be ordered separately.

### ORDERING GUIDE FOR ACCESSORIES

#### Options Sold Separately

Check the items that you wish to order:

- 083328 - LND VK 120 DEGREE L CONNECTOR WHT - 94.5 MM\*\*
- 083028 - LND VK 90 DEGREE L CONNECTOR
- 083029 - LND VK 90 DEGREE T CONNECTOR
- 083030 - LND VK 90 DEGREE X CONNECTOR
- 083031 - LND VK 120 DEGREE L CONNECTOR
- 083032 - LND VK 120 DEGREE Y CONNECTOR
- 083033 - LND/LNUD 6' WHITE SUSPENSION MOUNT KIT W/ POWER CORD (FOR 120-277V)
- 083036 - LND/LNUD 6' WHITE SUSPENSION MOUNT KIT W/ POWER CORD (FOR 120-347V)
- 083264 - LND/LNUD 6' WHITE SUSPENSION MOUNT KIT W/O POWER CORD (FOR 120-347V)\*
- 083267 - LND/LNUD 6' WHITE POWER CORD (FOR 120-347V)
- 083265 - LND/LNUD 6' BLACK SUSPENSION MOUNT KIT W/O POWER CORD (FOR 120-347V)\*
- 083266 - LND/LNUD 6' BLACK POWER CORD (FOR 120-347V)
- 083308 -LND/LNUD Y CONFIG SUSPENSION MOUNT KIT (THREE 6' AIRCRAFT CABLE SET)

\*Power cord must be ordered separately.