



RHB1R-LED100

LED Round Highbay

SPECIFICATIONS*

Watts	100.9
Lumens	13,388.6
Efficacy	132.6
Replaces Up To	250W MH
Colour Temp	4000K*, 5000K
Certification	ETL, IP65, DLC
Operating Temp	-40°C to +40°C
Voltage	120-277V*, 347V
LED Life	50,000 Hours
Housing Material	Cast Aluminum
Lens Material	Polycarbonate
Finish	Black
Total Harmonic Distortion	.1
Power Factor	>0.9
Mounting Options	Pendant Mount, Suspended Mount
Weight	6.8 lbs
CRI	>70
Dimming	0-10V Dimming*

*Standard



DESCRIPTION

Ruggedly designed highbay fixture series with high efficacy and easy installation features, the RHB1R-LED is ideal for industrial, manufacturing, factory environments.

APPLICATIONS



Warehouses



Manufacturing



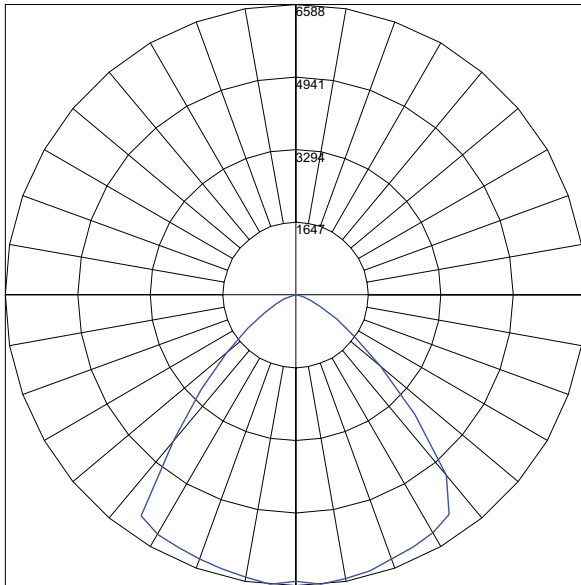
Factories

FEATURES

- Die cast aluminum housing, polycarbonate lens and polyester powder coat finish
- Ideal replacement for traditional highbays: RHB1R-LED100 replaces 250W MH.
- 2mt cord and mounting hook included with fixture for easy installation
- 4kV surge suppression is standard with 120-277V unit, 6kV surge suppression is standard with 347V unit.
- High efficacy at approximately 135 lumens/watt.

CANDELA PLOTS

POLAR GRAPH



Maximum Candela = 6588.45 Located At Horizontal Angle = 90, Vertical Angle = 5
Vertical Plane Through Horizontal Angles (90 - 270) (Through Max. Cd.)

COEFFICIENTS OF UTILIZATION - ZONAL CAVITY METHOD

Effective Floor Cavity Reflectance 0.20

RC	80				70				50				30				10				0
	RW	70	50	30	10	70	50	30	10	50	30	10	50	30	10	50	30	10	0		
0	119	119	119	119	116	116	116	116	111	111	111	106	106	106	102	102	102	102	100		
1	111	108	105	102	109	106	103	100	101	99	97	98	96	94	94	93	91	89	89		
2	104	97	92	87	101	95	90	86	92	88	84	89	85	82	86	83	81	79	79		
3	96	88	81	76	94	86	80	75	83	78	74	81	76	72	78	74	71	69	69		
4	89	79	72	66	87	78	71	66	76	70	65	73	68	64	71	67	63	61	61		
5	83	72	64	59	81	71	64	58	69	62	58	67	61	57	65	60	56	55	55		
6	77	65	58	52	75	65	57	52	63	56	51	61	55	51	60	55	51	49	49		
7	72	60	52	47	70	59	52	47	58	51	46	56	50	46	55	50	46	44	44		
8	67	55	47	42	66	54	47	42	53	47	42	52	46	42	51	45	41	40	40		
9	63	51	43	38	62	50	43	38	49	43	38	48	42	38	47	42	38	36	36		
10	59	47	40	35	58	47	40	35	46	39	35	45	39	35	44	38	35	33	33		

ZONAL LUMEN SUMMARY

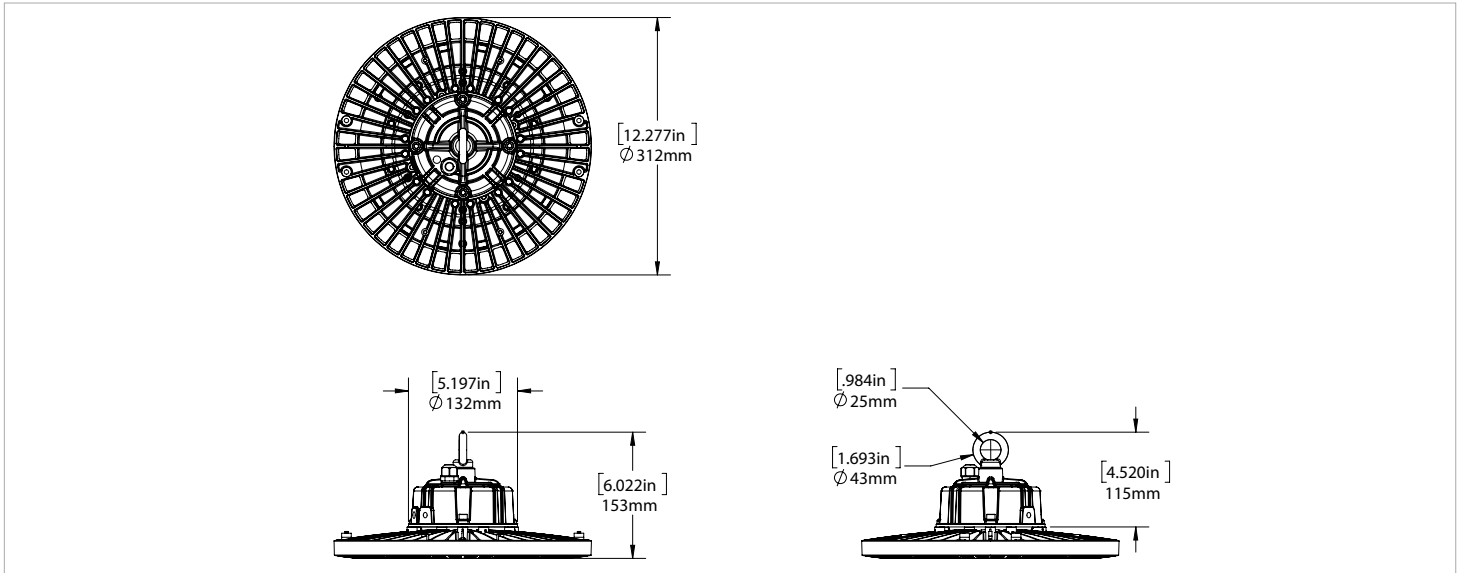
Zone	Lumens	%Lamp	%Fixt
0-20	2409.1	17.50	17.50
0-30	5270.65	38.40	38.40
0-40	8879.51	64.60	64.60
0-60	12886.88	93.80	93.80
0-80	13685.41	99.60	99.60
0-90	13712.23	99.80	99.80
10-90	13096.49	95.30	95.30
20-40	6470.41	47.10	47.10
20-50	9133.41	66.50	66.50
40-70	4612.18	33.60	33.60
60-80	798.53	5.80	5.80
70-80	193.72	1.40	1.40
80-90	26.82	0.20	0.20
90-110	2.26	0.00	0.00
90-120	4.35	0.00	0.00
90-130	7.60	0.10	0.10
90-150	16.13	0.10	0.10
90-180	23.12	0.20	0.20
110-180	20.86	0.20	0.20
0-180	13735.35	100.00	100.00

Total Luminaire Efficiency = 100.00%

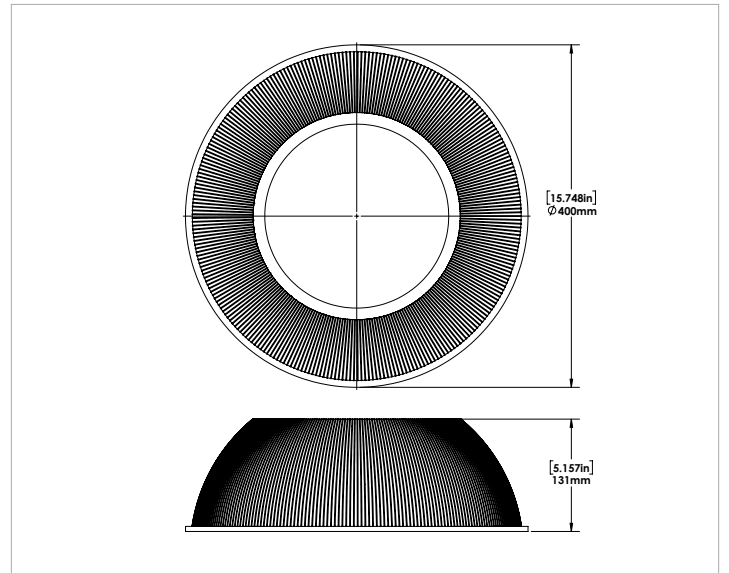
ZONAL LUMEN SUMMARY

Zone	Lumens
0-10	615.74
10-20	1793.36
20-30	2861.55
30-40	3608.86
40-50	2662.99
50-60	1344.38
60-70	604.81
70-80	193.72
80-90	26.82
90-100	0.99
100-110	1.27
110-120	2.09
120-130	3.25
130-140	4.14
140-150	4.38
150-160	3.79
160-170	2.40
170-180	0.81

DIMENSIONS



ACCESSORIES



OTHER MODEL SPECIFICATIONS

MODEL DESCRIPTION	VOLTAGE (V)	INPUT POWER (W)	LIGHT OUTPUT	EFFICACY (Lm/W)	THD	PF	CCT(K)	CRI
RHB1R-LED100-B-4K-XXX	120-277V	100.9	13388.6	132.6	12.1	0.935	4000	71.9
RHB1R-LED100-B-5K-XXX	120-277V	101.8	14043.7	137.9	12.1	0.935	4904	74.3
RHB1R-LED100-C-4K-XXX	347V	100.59	13267.8	131.9	11.1	0.933	4000	72.2
RHB1R-LED100-C-5K-XXX	347V	101.15	13989	138.3	11.1	0.933	5184	74.8

LEGEND

B - 120V-277V, C - 347V
 5K - 5000K, 4K -4000K
 XXX - HOUSING FINISH

ORDERING GUIDE

RHB1R	LED100			
WATTS	VOLTAGE	COLOUR TEMP.	FINISH	
	B - 120 - 277V*	4K - 4000K*	BLK - BLACK	
	C -347V	5K - 5000K		

*Standard

FIELD INSTALLED ACCESSORIES

CHECK THE ACCESSORIES YOU WISH TO ORDER:

Prismatic Lens