



WALL MOUNTED QUARTER SPHERE

The Quarter Sphere is a wall-mounted full cut-off fixture. Universal mounting plate with bubble level to ensure a level installation. Hinged lens frame for easy lamp replacement. Ideal for use in almost any application where light trespass or glare is a concern. The Quarter Sphere can also be used as an uplight.

HOUSING Precision die-cast aluminum with decorative bands. Housing has a powder coat paint finish.

LENS FRAME Precision die-cast aluminum hinged frame with a continuous rubber silicone gasket. Lens frame held in place with two screws. Lens frame has a powder coat paint finish.

GLASS Tempered clear glass with a continuous silicone rubber gasket. Glass is held in place with 4 clamps.

REFLECTOR Two distributions are available, forward throw and wide throw.

BALLAST For 50, 70, 100 and 150 watt High Pressure Sodium ballasts are available in 120V Normal and High Power Factor and Tri-Tap 120/277/347 volts. For 50, 70, 100, 150 and 175 watt Metal Halide all ballasts are Tri-Tap 120/277/347 volts.

LAMP All units come complete with lamp.



SOCKET Medium base 4KV pulse-rated socket with a nickel-plated screw shell and a spring-loaded centre contact.

HARDWARE All hardware is stainless steel.

FINISH Standard colours are Bronze and White. For custom colours please consult factory.

OPTIONS Photocell, Tamper Proof Hardware, Quartz Restrike.

Catalog Code

WP-Q

50HPS 70HPS 100HPS
150HPS 50MH 70MH 100MH
150MH 175MH

LAMP

120NPF* 120HPF*
120 277 347

VOLTAGE

FT - FORWARD THROW
WT - WIDE THROW

DISTRIBUTION

BRZ - BRONZE
WH - WHITE
CC - CUSTOM COLOUR

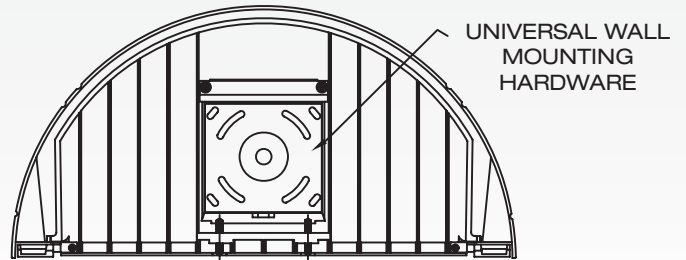
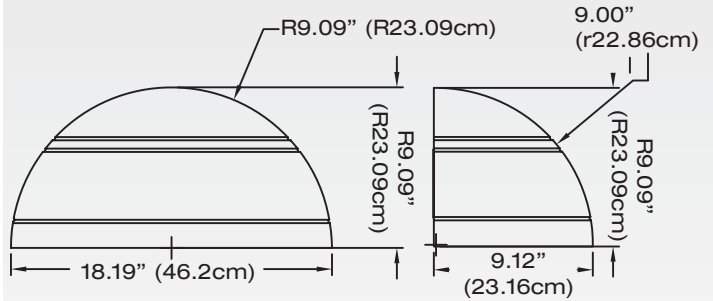
FINISH

QRS - QUARTZ RESTRIKE
TP - TAMPER PROOF
HARDWARE
PC - PHOTOCELL

OPTIONS

Dimensions

RAB
DESIGN



* ONLY AVAILABLE IN HIGH PRESSURE SODIUM

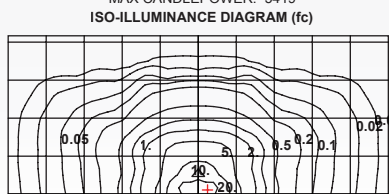
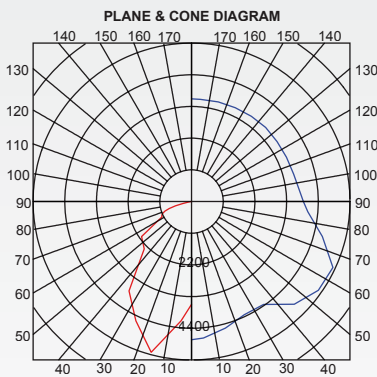
175 WATT FORWARD THROW

CATALOG NUMBER: WP-Q

FILENAME: WP-CS 175MH 7FT.IES
IESNA:LM-63-2002
[TEST] LLI 0704-01C
[TESTLAB] LIGHT LABORATORY INC.
[MANUFAC] RAB DESIGN
[LUMCAT] WP-CS 175MH FT
[LUMINAIRE] 18-1/8" X 9" X 7-1/8" SURFACE MOUNT LIGHTING.
[MORE] FORWARD THROW TYPE SPECULAR REFLECTOR.
[MORE] FLAT CLEAR TEMPERED GLASS LENS.
[LAMP] GE MVR175/U/MED
[BALLAST] ADVANCE M57 71A5590
[BALLAST] 175W 120V MH MAGNETIC
[LAMPPOSITION] 90,90
[LAMPLUM] 11700
[WATT] 208

SUMMARY DATA

EFFICIENCY (Total): 76.4%
EFFICIENCY (Down / Up): 76.4 % / 0.0 %
EFFICIENCY (Street / House): 51.3 % / 25.1 %
LUMENS/LAMP: 11700
NO. OF LAMPS: 1
LUMINOUS OPENING: RECTANGULAR
Width: 1.25 (Feet)
Length: 0.51
Height: 0.00
INPUT WATTS: 208



Mounting Height = 12 Feet. Each box represents one mounting height.
+ = Point of max candela

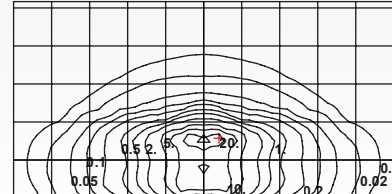
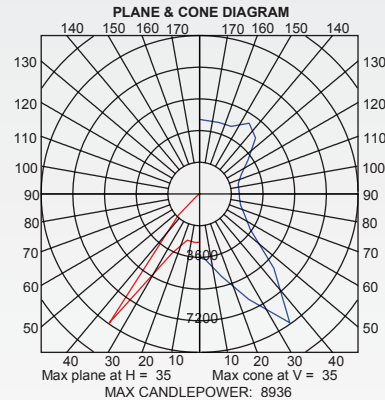
175 WATT WIDE THROW

CATALOG NUMBER: WP-CS

FILENAME: WP-CS 175MH WT.IES
IESNA:LM-63-2002
[TEST] LLI 0704-01D
[TESTLAB] LIGHT LABORATORY INC.
[MANUFAC] RAB DESIGN
[LUMCAT] WP-CS 175MH
[LUMINAIRE] 18-1/8" X 9" X 7-1/8" SURFACE MOUNT LIGHTING.
[MORE] WIDE THROW TYPE SPECULAR REFLECTOR.
[MORE] FLAT CLEAR TEMPERED GLASS LENS.
[LAMP] GE MVR175/U/MED
[BALLAST] ADVANCE M57 71A5590
[BALLAST] 175W 120V MH MAGNETIC
[LAMPPOSITION] 90,90
[LAMPLUM] 11700
[WATT] 201.4

SUMMARY DATA

EFFICIENCY (Total): 71.9%
EFFICIENCY (Down / Up): 71.9 % / 0.0 %
EFFICIENCY (Street / House): 37.1 % / 34.9 %
LUMENS/LAMP: 11700
NO. OF LAMPS: 1
LUMINOUS OPENING: RECTANGULAR
Width: 1.25 (Feet)
Length: 0.51
Height: 0.00
INPUT WATTS: 201.4



Mounting Height = 12 Feet. Each box represents one mounting height.
+ = Point of max candela

www.rabdesign.ca