

Date:	Project Name:
Type:	Part Number:



AURA SERIES

LED REGRESS GIMBAL






DESCRIPTION

The RENO Lighting's LED Round Gimbal High Output downlight combines a sleek design with a small aperture without any compromise to the PP light output. With up to 900 lumens and a CRI of 90, this small downlight provides an outstanding performance that will suit both residential and commercial applications

FEATURES

- IC-Rated and Air-Tight ready and may be in direct contact with insulation
- May be installed in dry wall or suspended ceilings
- Multi CCT
- 90 CRI standard
- Flicker-free 120V forward-phase triac dimming down to 5%
- Energy-Star, JA8 compliant
- Operating temperature: -4°F to 104°F (-20°C to 40°C)
- Rated Lifetime L70(hrs): >50,000
- Dual Voltage 120-347V
- 5 year warranty

APPLICATIONS

-  Residential Ceiling
-  Commercial Lighting
-  Hotel lobby



Date:	Project Name:
Type:	Part Number:

SPECIFICATION

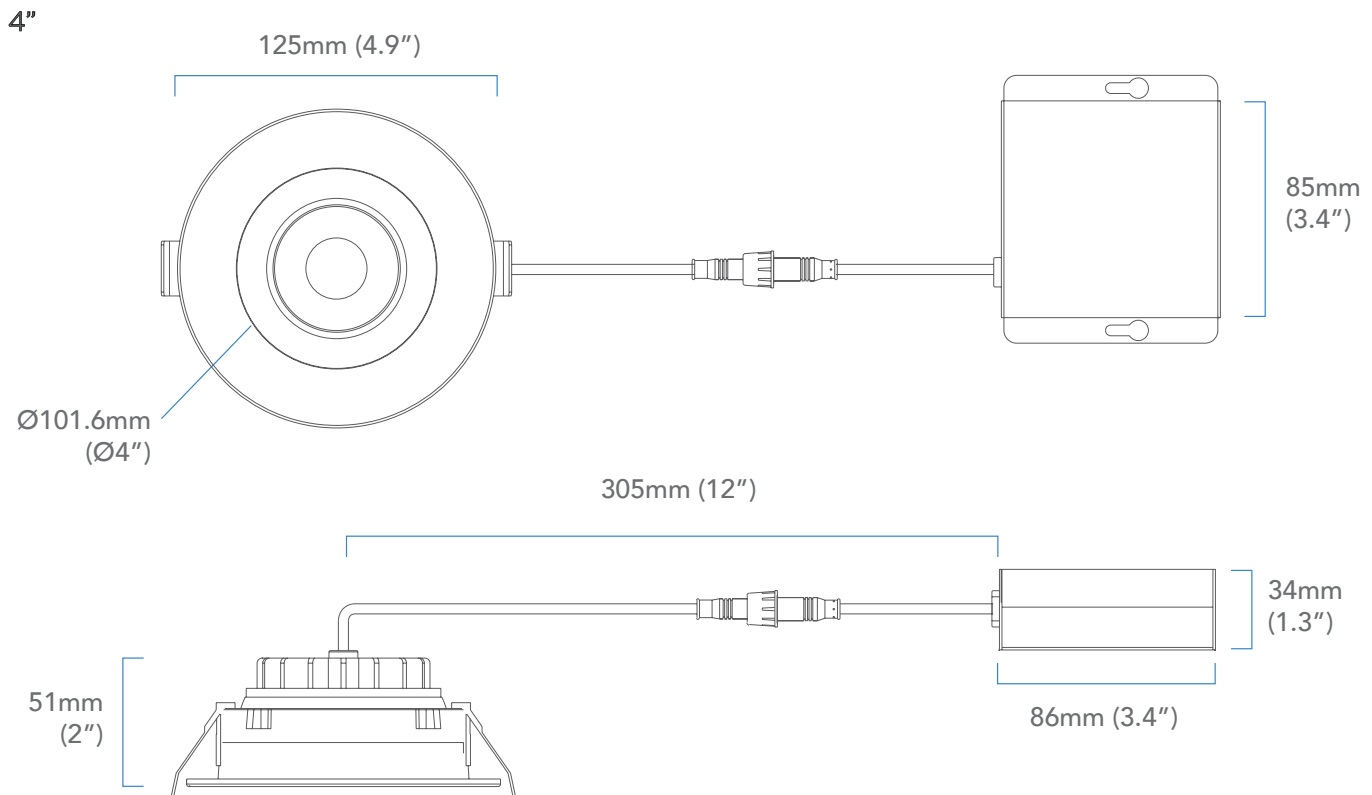
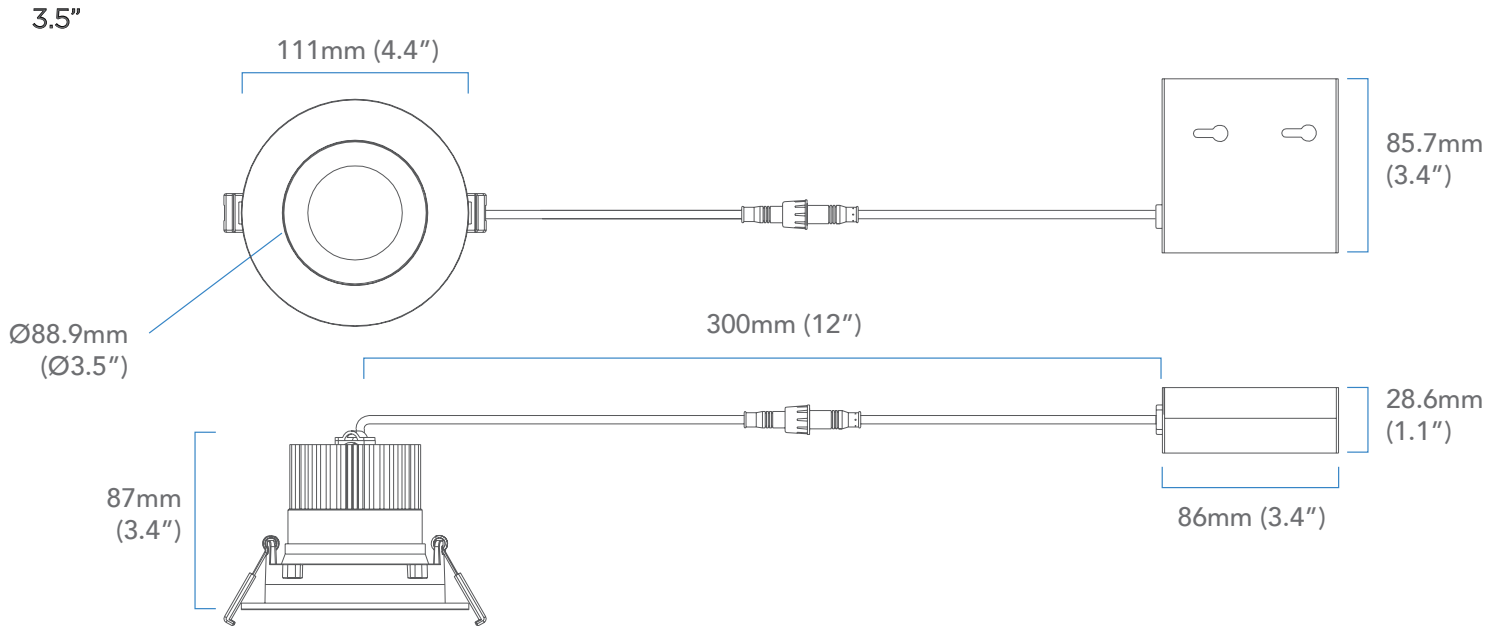
ORDER#	MODEL#	WATTS	SIZE	VOLTAGE (V)	LUMENS	CCT (K)	BEAM ANGLE	CRI
R36121	RENO-LED-AURA-35-S12W-5CCT-WH	12W	3.5"	120V	900 lm	2700/3000/3500/4000/5000K	38°	90
R36122	RENO-LED-AURA-35-S12W-5CCT-BK	12W	3.5"	120V	900 lm	2700/3000/3500/4000/5000K	38°	90
R36123	RENO-LED-AURA-4-S12W-5CCT-WH	12W	4"	120V	900 lm	2700/3000/3500/4000/5000K	38°	90
R36124	RENO-LED-AURA-4-S12W-5CCT-BK	12W	4"	120V	900 lm	2700/3000/3500/4000/5000K	38°	90

ACCESSORIES

ORDER#	MODEL#	DESCRIPTION
R39108	RENO-MP4	Mounting Plate without clip

Date:	Project Name:
Type:	Part Number:

DIMENSIONS



*NOTE: Width in ceiling needed for the driver to fit is 3"
Cut hole size 4-3/8" (110mm)