

Date:

Type:

Project Name:

Part Number:

LED SLIM WALL PACK



FEATURES

- DLC Listed
- Dual Voltage 120-347V
- High and stable lumen output
- 90 Degree Adjustable High
- Elegant and Efficient design
- 50,000 hours lifespan
- 5-year Warranty
- Custom colours available

APPLICATIONS

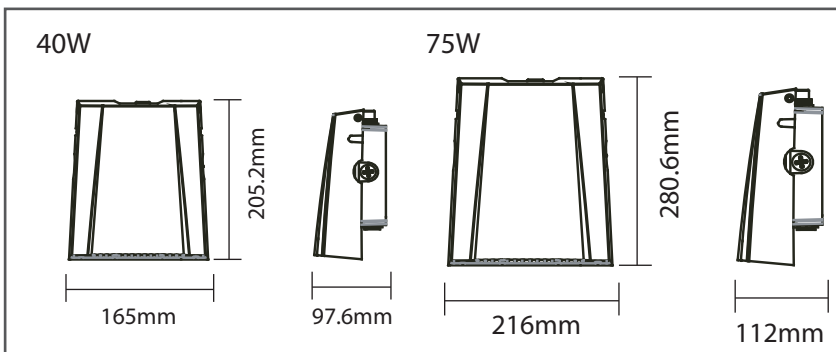
- Commercial Building
- Exterior Parking
- School & Hospital



SPECIFICATION

| ORDER NO. | MODEL NUMBER | WATTS | VOLTAGE(V) | HOUR RATING | BEAM ANGLE | INITIAL LUMENS | CCT(K) |
|-----------|--------------------|-------|------------|-------------|------------|----------------|--------|
| R51111 | RENO-SWP-DV-40W-4K | 40W | 120-347V | 50,000 | 40° | 5280 | 4000K |
| R51112 | RENO-SWP-DV-75W-4K | 75W | 120-347V | 50,000 | 40° | 9900 | 4000K |

DIMENSION



LUMINOUS EMITTANCE

