

Date:	Type:
Project Name:	Part Number:

## By Pass /Line Voltage LED T5 Tube (Type B) (Double ended)



## FEATURES

- Built-in safety switch prevents electrical shock during installation
- Operates directly on 120-277V & 347V line voltage
- Direct replacement for F54T5/HO Fluorescent Lamp Rated for use in fully enclosed fixtures.
- Suitable for use in dry and damp locations.
- NSF Listed: NSF/ANSI Standard 2 - Food Equipment
- Operating Temperature: -20°C/-4°F to 45°C/113°F
- 50,000+ Hour Lifetime(L70)
- 7 year warranty

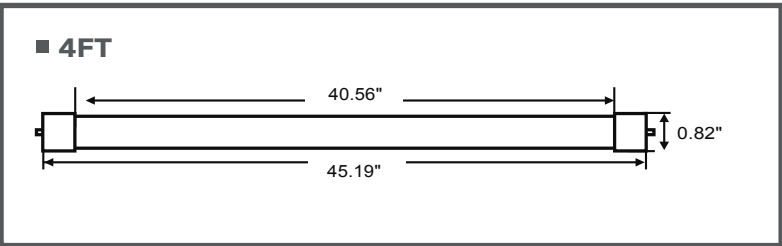
## APPLICATIONS

- Office Lighting
- Commercial Applications
- Residential
- Food Service Equipment

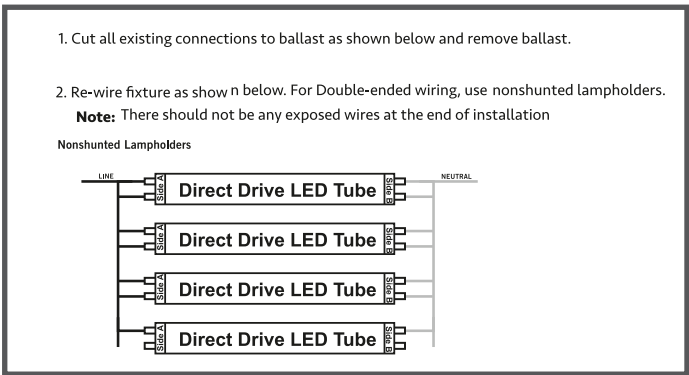
## SPECIFICATION

ORDER #	MODEL #	LENGTH	WATTS	BASE	VOLTAGE(V)	HOUR RATING	BEAM ANGLE	INITIAL LUMENS	CCT(K)	CRI
R42101	WLL-LEDT5BP25DV/840	4'	25W	G5	120-347V	50,000	330°	3300	4000K	83+
R42102	WLL-LEDT5BP25DV/850	4'	25W	G5	120-347V	50,000	330°	3400	5000K	83+

## DIMENSIONS



## DOUBLE-ENDED WIRING DIAGRAM





Date:

Type:

Project Name:

Part Number:

### RENO GLASS VS PLASTIC

#### Plastic Tube

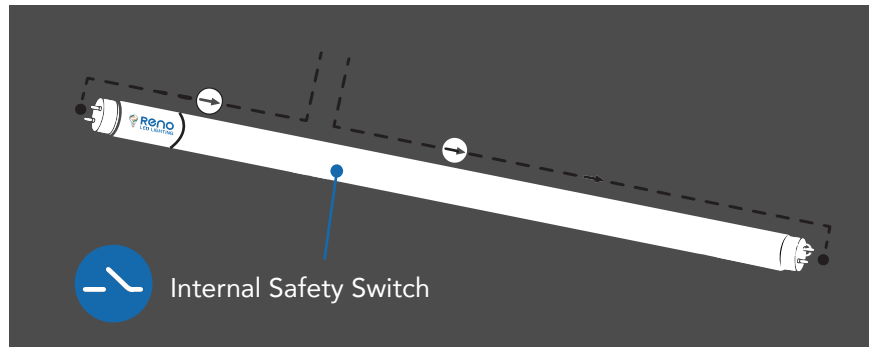


#### RENO Glass



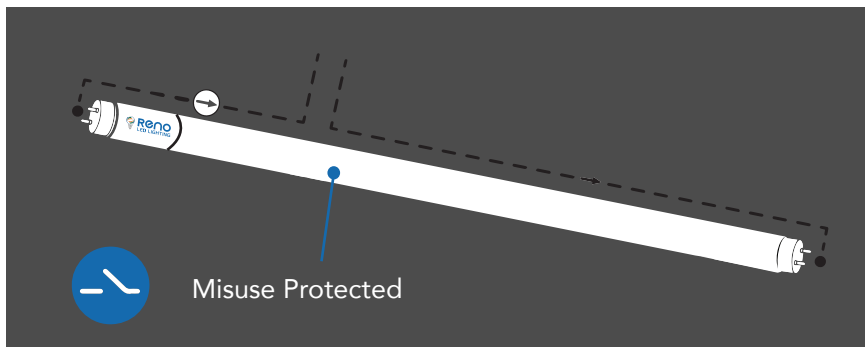
### BUILD IN PROTECTION FEATURES

#### INTERNAL SAFETY SWITCH



Internal Safety Switch for installation protection.  
(No current will flow until pins on both ends are engaged)

#### MISUSE PROTECTED FUNCTION



Misuse - Protected function, if forgot to by-pass the ballast, the lamp won't work, no risk of fire or cap melting.

