

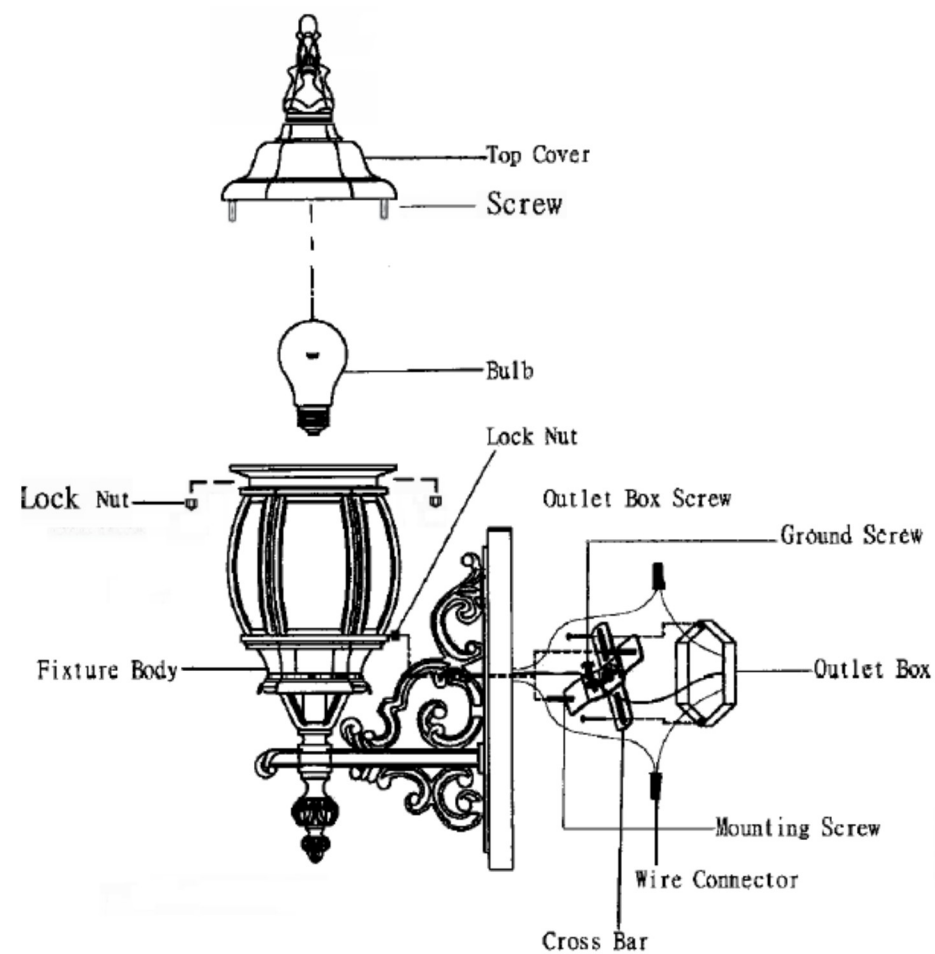
ASSEMBLY INSTRUCTION

SKU#60/3467/3468/3469

NOTE:Please consult a qualified electrician if you are not certain of the installation.

CAUTION:Before starting the installation,disconnect the power by turning off the circuit breaker or by removing the fuse at the fuse box.

1. Fasten Cross Bar to Outlet Box using 2 Outlet Box Screws provided(Make sure the thread of the mounting screws is facing outside when the Cross Bar is attached to the Outlet Box).
2. Connect wires with white to white and black to black, cover the connections by using the Wire Connectors provided. Tie the ground wire from Outlet Box and from fixture to the Ground Screws on the Cross Bar.
3. Place the Fixture Body to the wall by aligning the protruding Mounting Screws all the way through the Wall Plate and tighten the fixture using 2 Lock Nut provided. Fasten the fixture until it is held firmly to the wall.
4. Install bulb(Not included).Place the Top Cover onto the top of the Fixture Body. Align the Screws to protrude through the holes on the top of the Fixture Body. Secure the Top Cover into place by screwing the two Lock Nuts onto the two protruding Screws.
5. Turn on the power.



NUVO[®]
LIGHTING
A Satco Product

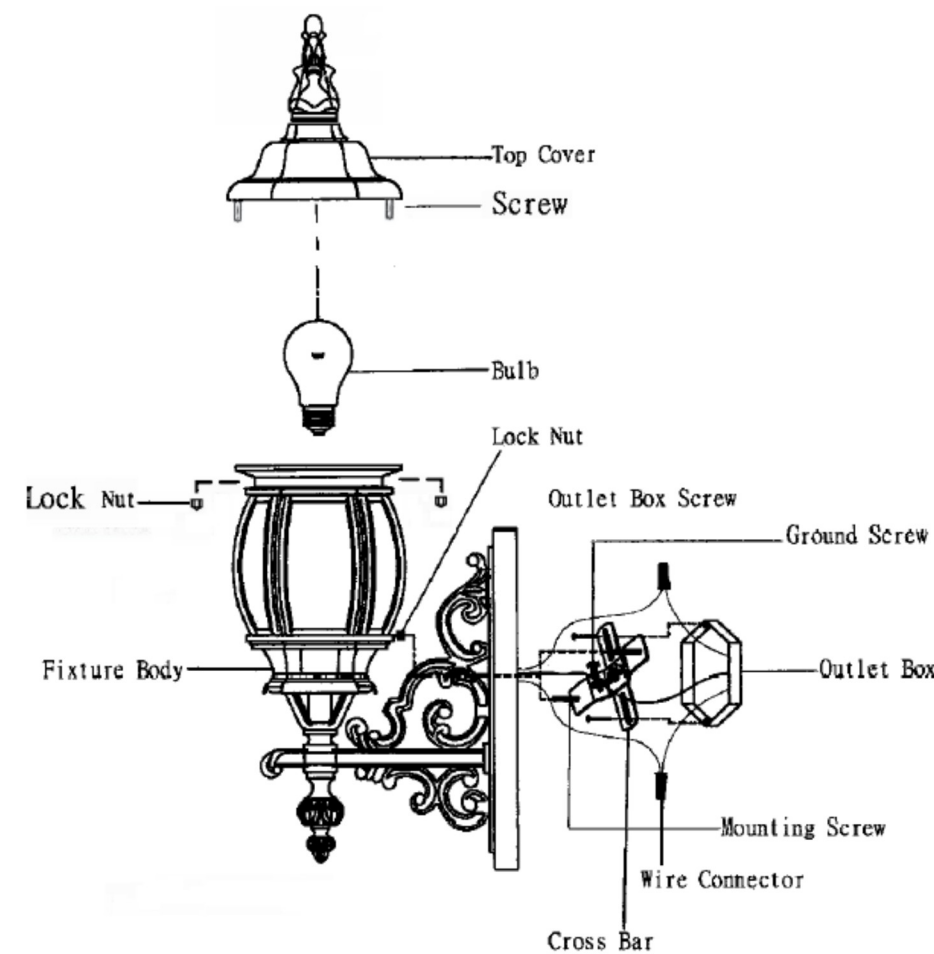
ASSEMBLY INSTRUCTION

SKU#60/3467/3468/3469

NOTE:Please consult a qualified electrician if you are not certain of the installation.

CAUTION:Before starting the installation,disconnect the power by turning off the circuit breaker or by removing the fuse at the fuse box.

1. Fasten Cross Bar to Outlet Box using 2 Outlet Box Screws provided(Make sure the thread of the mounting screws is facing outside when the Cross Bar is attached to the Outlet Box).
2. Connect wires with white to white and black to black, cover the connections by using the Wire Connectors provided. Tie the ground wire from Outlet Box and from fixture to the Ground Screws on the Cross Bar.
3. Place the Fixture Body to the wall by aligning the protruding Mounting Screws all the way through the Wall Plate and tighten the fixture using 2 Lock Nut provided. Fasten the fixture until it is held firmly to the wall.
4. Install bulb(Not included).Place the Top Cover onto the top of the Fixture Body. Align the Screws to protrude through the holes on the top of the Fixture Body. Secure the Top Cover into place by screwing the two Lock Nuts onto the two protruding Screws.
5. Turn on the power.



NUVO[®]
LIGHTING
A Satco Product