



SLB750

Marker Buoy Suited to Fast Water
Installation & Service Manual

Product Features & Technical Specifications

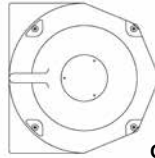
Able to be fitted with SL60 or SL70 Marine Lanterns

Integrated handle moulded in both can or cone

1 piece internal bracing connects mooring and lifting eyes

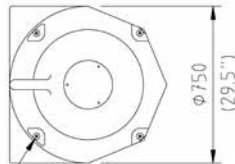
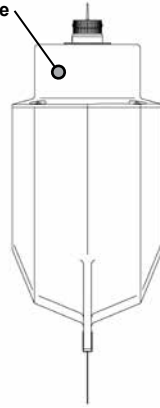
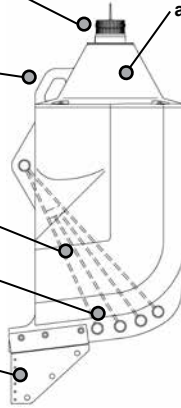
Multiple mooring eyes to suit various water speeds and depths

Stainless steel keel

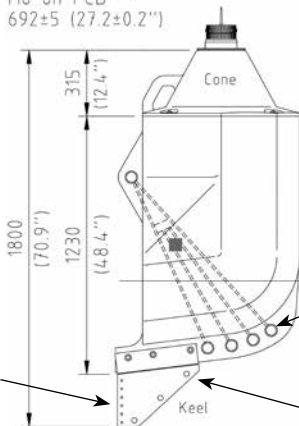


Optional top marks available

Rotationally moulded to 6mm wall thickness



M8 on PCD
692±5 (27.2±0.2")



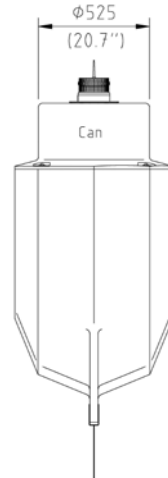
4 x Ø 48.5-42mm Wide Mooring Eyes

6 x Ø 9.5

Keel

3 x Ø 24.5 Counterweight holes

SLB750-CONE



SLB750-CAN

Table of Contents

Introduction.....Page 4

Sealite Buoy Division.....Page 4

Why Choose Polyethylene Buoys?.....Page 4

Mooring Requirements & Regulations.....Page 4

SLB750 Marker Buoy.....Page 5

 Product Components.....Page 6

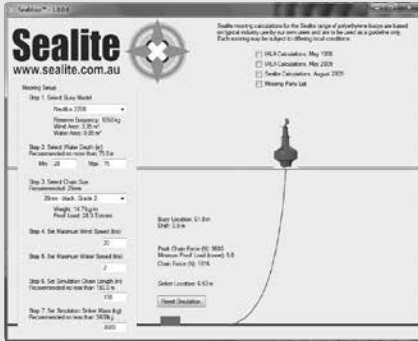
 Assembly Instructions.....Page 7

 Mooring Instructions.....Page 8

Marine Buoy Maintenance.....Page 10

Sealite Buoy Warranty.....Page 11

SEAMOR™ - SEALITE MOORING CALCULATOR



As a service to valued customers, Sealite has developed an advanced mooring calculator based in IALA guidelines and experience from major users.

The system simulates site mooring based on local conditions.

Contact Sealite today for a FREE copy.

Version No.	Description	Date	Approved
1.0	Manual Launch	November 2009	A. Dixon
2.0	Update	February 2010	K. Paton
3.0	Update: Spec Table	May 2012	J. Dore
3.1	Removed spec,back page and warranty statement	December 2018	

Introduction

Congratulations! By choosing to purchase a Sealite Buoy, you have become the owner of one of the most advanced rotationally-moulded polyethylene marine buoys in the world.

Sealite Pty Ltd has been manufacturing buoys for over 25 years, and particular care has been taken to ensure your buoy gives years of service.

As a commitment to producing the highest quality products for our customers, Sealite has been independently certified as complying with the requirements of ISO9001:2008 quality management system.

By taking a few moments to browse through this booklet, you will become familiar with the versatility of your buoy, and be able to maximise its operating function.

Sealite Buoy Division

Sealite marine buoys are manufactured on-site from rotationally-moulded UV-stabilised polyethylene, and are designed to offer a low-maintenance, high visibility solution to marine navigation.

The Sealite buoy division provides turn-key production of navigation buoys. From tooling development, raw materials selection, and production, to final testing and inspection, Sealite guarantees superior quality and fast turn-around times.

Sealite's buoy products are available in a wide range of configurations and sizes, and can be economically shipped worldwide.

Why Choose Polyethylene Buoys?

- No painting
- Inhibits growth
- Increased interval between servicing
- Routine maintenance on location
- Easily repaired in the unlikely event of damage
- Lightweight for ease of deployment and maintenance
- Environmentally friendly – no use of toxic antifouling paint

Mooring Requirements & Regulations

Please contact your local authority for any specific requirements regarding the deployment of buoys. IALA also has guidelines and recommendations that should be followed.

All information given in this manual is advisory only. Please consult with your local authority before deploying your buoy products.

Local conditions that need to be considered include:-

- Water depth
- Maximum currents
- Maximum wind speeds
- Sinker size and weight

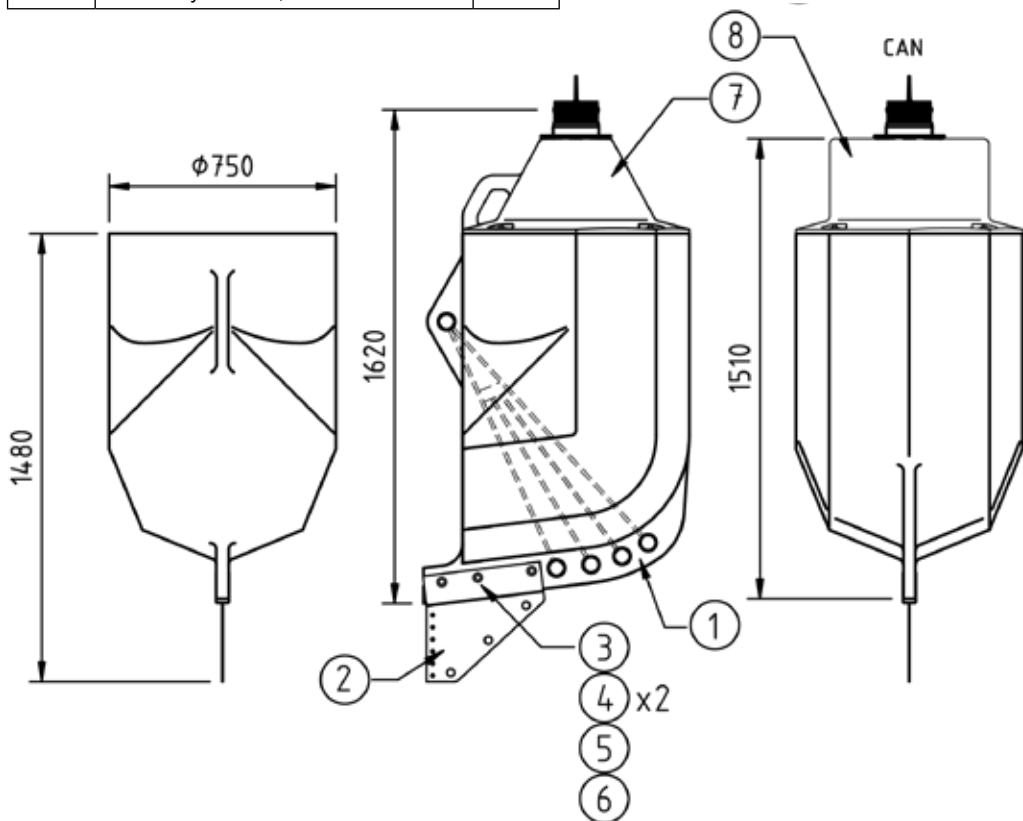
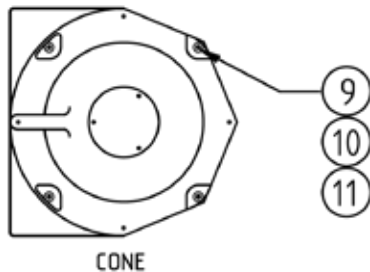
SLB750 Marker Buoy

The Sealite SLB750 is a large 750mm dia. marker buoy designed for a variety of applications and is particularly suited to fast water currents of up to 6 knots.

The unique one piece float section has an internally integrated bow and keel which ensures the buoy remains stable during fast currents.

SLB750 Product Components

No	Description	Qty
1	SLB750 Float (with bracing, ballast & fill)	1
2	SLB750 Keel	1
3	SS Bolt, Ø10 x 65	3
4	SS Penny Washer, Ø10 x 31 OD	6
5	SS Spring Washer, Ø10	3
6	SS Plain Nut, Ø10	3
7	SLB750 Cone	1
8	SLB750 Can	1
9	SS Socket Head Cap Screw, Ø8 x 40	4
10	SS Spring Washer, Ø10	4
11	SS Penny Washer, Ø10 x 31 OD	4





SLB750 Assembly Instructions

Check Components

- Unload all components from container or crate
- Check all components are complete and correct
- Contact your local Distributor or Sealite for any missing parts.

Fitting the Keel

- Turn the buoy up-side down on the flat top surface. Make sure this is done on level ground so the buoy is stable.
- Position the keel on buoy and secure using 3 x M10-65mm Long Bolts, 6 x Flat Penny Washers and 3 x M10 Nuts. If necessary tack weld the nut to the bolt.
- Fit any counterweight necessary to the keel. This will be dependent on the local conditions. A counterweight may consist of 3-8 links of chain secured to the keel with a shackle.

Fitting Top Section (Cans or Cone)

- Position the buoy so the keel is on the ground and the top surface is facing up.
- Position the Can or Cone on the top of the buoy so the handle is aligned with the Lifting Eye.
- Secure the Can or Cone using 4 x M8-40mm Long Socket Head Cap Screws and 4 x Penny and Spring Washers.

Fitting Lights to the Buoy (optional)

- Position the buoy so the keel is on the ground and the top surface is facing up.

Follow the light Installation manual and check that the light activates and flashes correctly before fitting to the buoy.

- Position the Light on the top of the can or cone.
- Secure the light to the Can or Cone using 4 x M8-20mm Long Socket Head Cap Screws and 4 x Flat and Spring Washers.

SLB750 Mooring Instructions

Due to each installation being unique, the size and weight of the sinker, length and size of chain and any counterweights will need to be determined in conjunction with the local Authorities.

The Sealite SLB750 Marker Buoy is designed to ride on the current in a vertical position, this will allow any lantern fitted to work correctly and be seen from any direction.

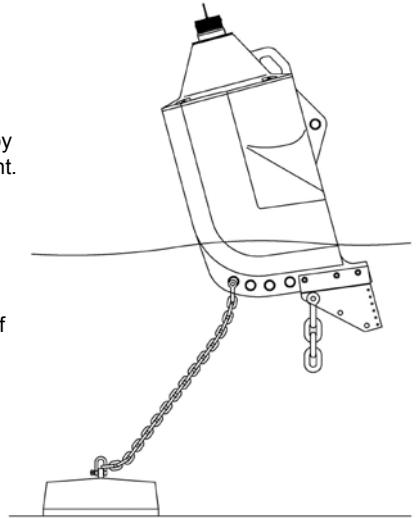
If the buoy is riding forward;

Sealite would recommend the following

- The Mooring Chain and counter weight are fitted too far forward on the buoy. When the current is flowing the buoy is leaning into the current rather than riding on the current.

Try the following suggestions

- Move the mooring chain further back along the mooring eyes in the base.
- Move the counter weight further back along the bottom of the keel.
- Add more weight to the counterweight on the keel.



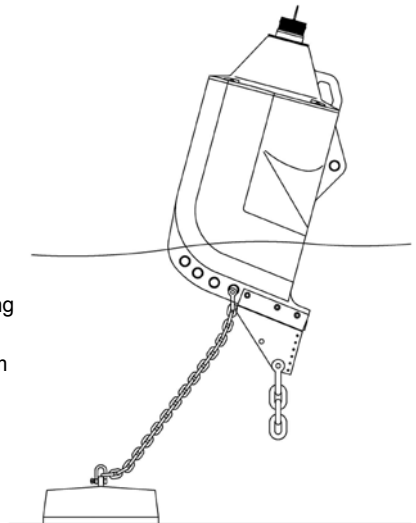
If the buoy is riding aft;

Sealite would recommend the following

- The Mooring Chain and counter weight are fitted too far aft on the buoy. When the current is flowing the buoy is leaning into the current rather than riding on the current.

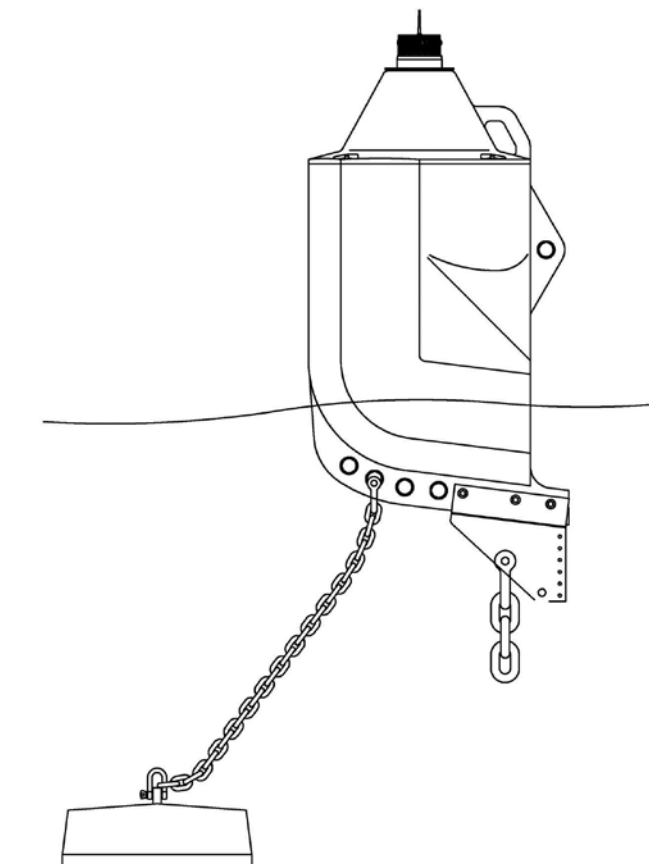
Try the following suggestions

- Move the mooring chain further forward along the mooring eyes in the base.
- Move the counter weight further forward along the bottom of the keel.
- Reduce the weight to the counterweight on the keel.



The buoy is riding correctly;

- The buoy is vertical in the water, with a light sitting horizontal.
- The chain is correctly sized, the buoy is not being dragged under the water or bobbing excessively.
- The counterweight on the keel is working correctly, being positioned correctly for the prevailing conditions.
- The sinker is weighted correctly to keep the buoy correctly positioned during all tidal currents





Marine Buoy Maintenance

Sealite Marine Buoys are designed to require very little maintenance. We recommend the buoy be inspected annually. Inspection may need to increase depending on the local conditions and the position of the buoy.

IALA Recommendation AISM E-107 suggests moorings are inspected annually.

Marine Buoy – Annual Maintenance

- Visually inspect buoy for damage
- Inspect the top mark for any damage. Repair any broken or damaged section.
- Clean buoy of animal debris

Mooring – Annual Maintenance

- Check and clear the tail and ride chains from shells and algae.
- Check for wear on any shackle axis and check the tapered pins. Any worn shackles must be replaced.
- Check the free movement of each swivel around its head. If any swivel head sticks it must be replaced.
- Check every link of the thrash length of the chain. Check the diameter of the nips and sides and also inspect the welds on every link.
- If depth allows, a worn riding chain may be reversed.
- Change a chain when any link shows excessive wear.
- Chain must be replaced if any link wears to less than 3/5 of the original diameter.

Mooring – Biannual Maintenance

- Inspect the ground chain and sinker.

Lanterns – Maintenance

- Please refer to the Installation Manual for the specific Marine Lantern fitted to the Buoy.

Sealite Buoy Warranty

Refer to Sealite website:www.sealite.com