

Elite High Bay T8/T5HO Quick Ship

Catalog Number

Notes

Type



Application

The Elite's superior lumen package is ideal for replacing traditional metal halide high bay systems. Benefits include high efficiency, 95% lumen maintenance, improved color rendering, extended lamp life, multi-level switching, instant on, dimming and improved uniformity. Suggested mounting heights from 15' - 40' with primary applications including "Big Box" retail, warehousing, commercial facilities, manufacturing facilities, open and stack aisle applications.

Description

The full body assembly accommodates multiple optics utilizing either T5HO or T8 lamps. The Elite's heavy duty 20 gauge housing exceeds code gauge steel and all components are post painted with a glossy, high reflectance white paint. Sockets include secure positioning rotating collars.

Reflector Optics

The superior beam spread optic covers from narrow aisle lighting to open area general lighting. The Elite is available using a 95% reflectance specular aluminum (SA) Miro®4 which has a 25 year warranty.

Electrical

All ballasts are class P rated, UL/CUL listed, and CEE approved. Our ballasts are also thermally protected, sound rated and tightly secured by mounting bolts.

Finish

The baked white enamel finish is electrostatically applied and post painted with a glossy, highly reflective and durable white paint.

Elite Fluorescent High Bay T8/T5HO Quick Ship

Maintenance

No tools required for lamp and ballast access.

Installation

Suspension by chain, cable, hook or monopoint with appropriate accessories.

Warranty

One year warranty against defect in manufacturing.

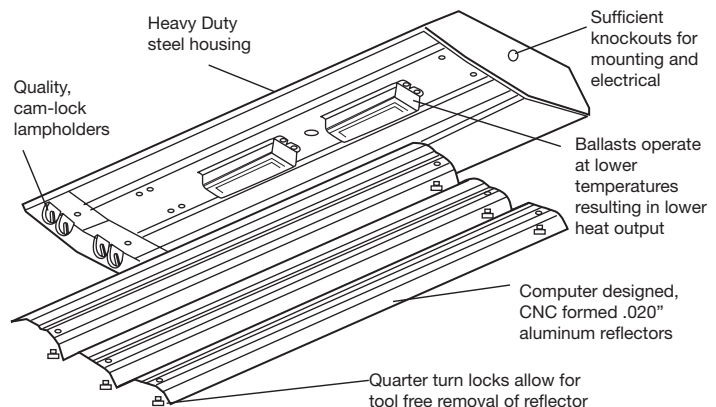
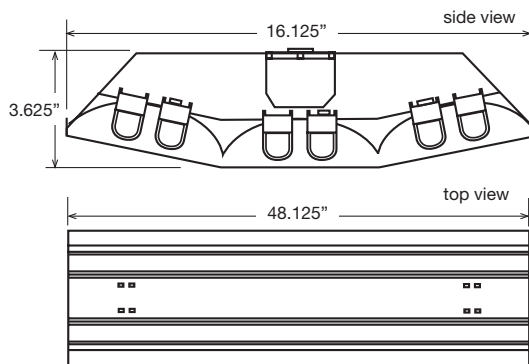
Listing

UL/CUL Listed - Suitable for damp locations.

SKU's Available

PART #	DESCRIPTION
EL4SA432UNIH10CSPF	Elite Miro4 4' 32w T8 4-Lamp HBF with 10' cord only and single packed
EL4SA454UNIV10CSPF	Elite Miro4 4' 54w T5HO 4-Lamp with 10' cord only and single packed
EL4SA632UNIH10CSPF	Elite Miro4 4' 32w T8 6-Lamp HBF with 10' cord only and single packed
EL4SA654UNIV10CSPF	Elite Miro4 4' 54w T5HO 6-Lamp with 10' cord only and single packed
EL4SA832UNIH10CSPF	Elite Miro4 4' 32W T8 8-Lamp HBF with 10' cord only and single packed
EL4SA854UNIV10CSPF	Elite Miro4 4' 54W T5HO 8-Lamp with 10' cord only and single packed

Dimensions & Construction



Elite High Bay T8/T5HO Quick Ship

Photometric Report

EL4SA432UNI10CSPF | Elite Miro4® 4' 32w T8 4-Lamp HBF with 10' cord only and single packed

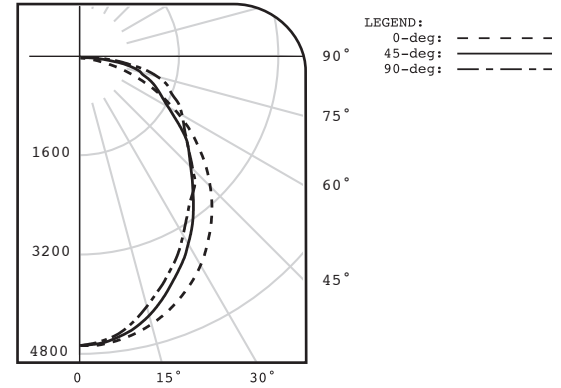
Zonal Lumen Summary

Zone	Lumens	% Lamp	% Fixt.
0-30	2990.88	25.30	27.40
0-40	4771.05	40.40	43.70
0-60	8176.69	69.30	74.90
0-90	10873.41	92.10	99.60
90-120	47.31	0.40	0.40
90-130	47.31	0.40	0.40
90-150	47.31	0.40	0.40
90-180	47.31	0.40	0.40
0-180	10920.72	92.50	100.0

Total Luminaire Efficiency = 92.50%

Photometric Report

Plane	0-Deg	90-Deg
Spacing Criterion	1.24	1.10
Shielding Angles	1	0
Luminous Length	48.125	16.125



EL4SA454UNIV10CSPF | Elite Miro4® 4' 54w T5HO 4-Lamp with 10' cord only and single packed

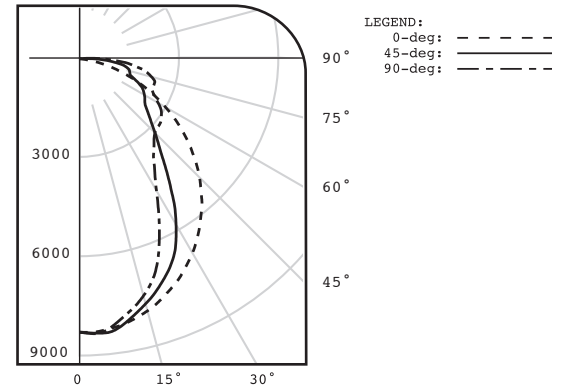
Zonal Lumen Summary

Zone	Lumens	% Lamp	% Fixt.
0-30	5320.64	29.90	30.60
0-40	8129.07	45.70	46.70
0-60	13067.80	73.40	75.10
0-90	17295.58	97.20	99.40
90-120	97.28	0.50	0.60
90-130	97.28	0.50	0.60
90-150	97.28	0.50	0.60
90-180	97.28	0.50	0.60
0-180	17392.86	97.70	100.0

Total Luminaire Efficiency = 97.70%

Photometric Report

Plane	0-Deg	90-Deg
Spacing Criterion	1.24	0.96
Shielding Angles	1	0
Luminous Length	48.125	16.125



EL4SA632UNI10CSPF | Elite Miro4® 4' 32w T8 6-Lamp HBF with 10' cord only and single packed

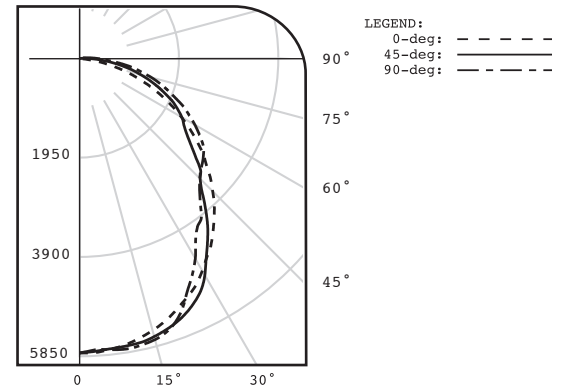
Zonal Lumen Summary

Zone	Lumens	% Lamp	% Fixt.
0-30	4454.20	25.20	27.60
0-40	7143.92	40.40	44.30
0-60	12251.52	69.20	76.00
0-90	15993.90	90.40	99.30
90-120	117.28	0.70	0.70
90-130	117.28	0.70	0.70
90-150	117.28	0.70	0.70
90-180	117.28	0.70	0.70
0-180	16111.18	91.00	100.0

Total Luminaire Efficiency = 91.00%

Photometric Report

Plane	0-Deg	90-Deg
Spacing Criterion	1.24	1.18
Shielding Angles	1	0
Luminous Length	48.125	16.125



EL4SA654UNIV10CSPF | Elite Miro4® 4' 54w T5HO 6-Lamp with 10' cord only and single packed

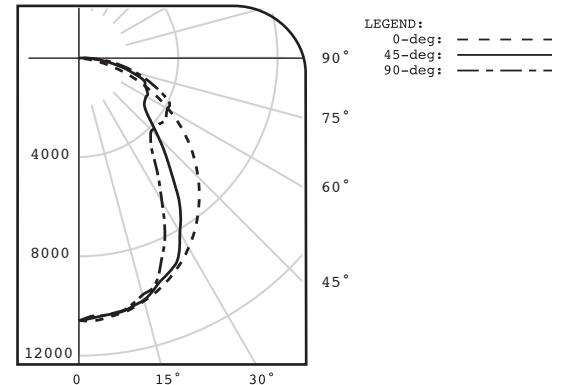
Zonal Lumen Summary

Zone	Lumens	% Lamp	% Fixt.
0-30	7906.97	29.60	30.50
0-40	12238.58	45.80	47.10
0-60	19830.07	74.30	76.40
0-90	25891.46	97.00	99.70
90-120	71.87	0.30	0.30
90-130	71.87	0.30	0.30
90-150	71.87	0.30	0.30
90-180	71.87	0.30	0.30
0-180	25963.33	97.20	100.0

Total Luminaire Efficiency = 97.20%

Photometric Report

Plane	0-Deg	90-Deg
Spacing Criterion	1.26	1.04
Shielding Angles	1	0
Luminous Length	48.125	16.125



Photometric Data by Independent Testing Lab. ITL Boulder.