

## LED General Purpose Strip RETROFIT KIT



Limitless Options  
for the following applications:

TCP's LED General Purpose Strip Retrofit Kits are designed to easily replace the fluorescent lamps and ballast in an existing fluorescent strip fixture with an integrated LED lighting solution. The universal design fits most 4.25" and 5.25" wide T8/T12 fluorescent strips.

These LED retrofit kits significantly reduce energy consumption compared to the existing fluorescent systems, providing instant energy savings along with the ability to take advantage of potential utility rebates. A long 50,000 hour rated life significantly decreases maintenance labor and material costs over the life of the system.

TCP's LED General Purpose Strip Retrofit Kits incorporate a ribbed, frosted white diffuser lens to protect the LEDs and minimize glare, while delivering bright, uniform light.

- General Lighting
- Task Lighting
- Aisles
- Warehouses
- Storage
- Manufacturing Facilities
- Retail



5 YEAR WARRANTY

# LED General Purpose Strip Retrofit Kit

## Features/Benefits

|  |  |
|--|--|
| Up to 58% less energy than traditional fluorescent systems                   | Instant energy savings and potential rebate eligibility  |
| Long 50,000 hour rated life  | Minimizes replacements and labor costs   |
| Excellent color consistency & CRI  | Enhances color of focal point while maintaining uniformity throughout lighting installation                          |
| 0-10V dimming driver comes standard  | Smooth, continuous dimming   |
| Mercury free   | Great for all environments   |
| Easy to install—surface mounts to existing fluorescent strip fixture housing | Easy installation and retrofit application—universal design fits most 4.25" and 5.25" wide T8/T12 fluorescent strips |

## Specifications

|                           |  |
|---------------------------|--|
| Input Line Voltage        | 120-277V   |
| Input Line Frequency (Hz) | 50/60HZ  |
| Lumens / Wattage          | 4 ft: 4200 (32W), 8 ft: 8500 (65W)                 |
| Lumens per Watt (LPW)     | >130   |
| Color Temperature (CCT)   | 3500K, 4000K & 5000K                               |
| Dimming                   | 0-10V (standard)                                   |
| Controls                  | Occupancy sensor w/ daylight harvesting (optional) |
| Rated Life                | >50,000 hours                                      |
| Operating Temperature     | -20°C to 50°C                                      |
| CRI                       | 80+  |
| Power Factor              | >0.9   |
| THD                       | <20%   |

## Warranty

Five year limited warranty against defects in manufacturing

## Replacement Comparison

| System                                   | Ballast Factor | Input Watts* | LED Energy Savings |
|--|----------------|--------------|--------------------|
| <b>TCP LED Strip Retrofit Kit – 4 FT</b> |                | <b>32W</b>   |                    |
| 2 Lamp 32W HBF                           | 1.18           | 65           | 51%                |
| 2 Lamp 32W NBF                           | 0.88           | 59           | 46%                |
| <b>TCP LED Strip Retrofit Kit – 8 FT</b> |                |              |                    |
| 4 Lamp 32W HBF                           | 1.18           | 153          | 58%                |
| 4 Lamp 32W NBF                           | 0.88           | 112          | 42%                |



5 YEAR WARRANTY



Not all versions of this product are qualified on the DLC QPL. To view our DLC qualified products, please consult the DLC Qualified Products List at [www.designlights.org/qpl](http://www.designlights.org/qpl).

### Applications

TCP's LED General Purpose Strip Retrofit Kits easily replace existing fluorescent lamp and ballasts with an integrated LED system in 4 and 8 foot strip fixtures. These kits deliver bright, uniform light and long life, with the benefits of energy savings and low maintenance. Applications include general lighting, task lighting, aisles, warehouses, storage, manufacturing facilities and retail spaces.

### Construction

- Visually appealing slim, low-profile design
- Heavy duty aluminum housing
- Durable UV stabilized powder coat finish
- Easy surface mounts onto housing of existing fluorescent strip fixture—universal design fits most 4.25" and 5.25" wide T8/T12 fluorescent strips

### Electrical

- Universal 120-277V
- 0-10V dimming (standard)
- Long 50,000 hour rated life
- cULus damp location rated
- Optional occupancy sensors with daylight harvesting (sold separately)

### Optics

- Durable ribbed, frosted white diffuser lens
- Glare-free light distribution



### Listings

cULus Listed – damp location rated  
RoHS Compliant  
DLC v4.2 Premium

### Warranty

Five year limited warranty against defects in manufacturing

### Installation

Surface mounts to existing fluorescent strip fixture housing  
Before installation, please consult your local ordinances and building codes for compliance

### Lumen Maintenance

| Lumen Maintenance Factor (LMF) |                           |                           |                            |   |
|--------------------------------|---------------------------|---------------------------|----------------------------|---|
|                                | 36,000 hours <sup>1</sup> | 50,000 hours <sup>2</sup> | 100,000 hours <sup>2</sup> | Reported L <sub>70</sub> (hours) <sup>1</sup> |
| TCPGPR4UZDA8xxK                | 90.61%                    | 86.90%                    | 74.82%                     | >36,000                                       |
| TCPGPR8UZDA8xxK                | 90.61%                    | 86.90%                    | 74.82%                     | >36,000                                       |

<sup>1</sup> IESNA TM-21-11 projected value based on 6X IESNA LM-80-08 total test duration of 6,000 hours.

<sup>2</sup> IESNA TM-21-11 calculated value exceeds 6X IESNA LM-80-08 total test duration of 6,000 hours.

## Catalog Ordering Matrix

Example: TCPGPR4UZDA850K

| TCP   | GPR                                |                          | U             | ZD                 | A             | 8      |   |
|-------|------------------------------------|--------------------------|---------------|--------------------|---------------|--------|---|
| BRAND | PRODUCT ID                         | SIZE                     | VOLTAGE       | CONTROLS/DIMMING   | LUMEN PACKAGE | CRI    | COLOR TEMPERATURE                         |
| TCP   | GPR – General Purpose Retrofit Kit | 4 – 4 foot<br>8 – 8 foot | U – 120V-277V | ZD – 0-10V Dimming | A             | 8 – 80 | 35K – 3500K<br>40K – 4000K<br>50K – 5000K |

**AVAILABLE CONTROLS:** **TS1** – TCP Occupancy Sensor w/bracket and interchangeable lenses, 40' or less, 120V, 277V, or 347V. (ordered separately) **LS1D** – Leviton Occupancy Sensor w/ Daylight Harvesting – PIR, 40' or less, 120V-277V.

## Performance Data

| ITEM #          | WATTAGE <sup>1</sup> | LUMENS <sup>2</sup> | LPW  | CRI | DIMENSIONS         |
|-----------------|----------------------|---------------------|------|-----|--------------------|
| TCPGPR4UZDA8xxK | 32                   | 4200                | >130 | 80+ | 48" x 5.7" x 2.36" |
| TCPGPR8UZDA8xxK | 65                   | 8500                | >130 | 80+ | 96" x 5.7" x 2.36" |

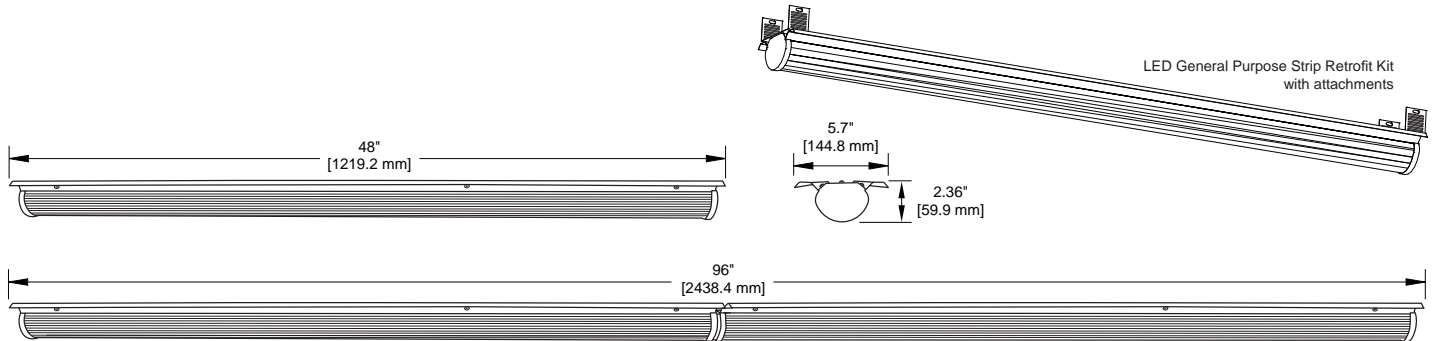
<sup>1</sup> Actual wattage may vary by +/- 10%.

<sup>2</sup> Approximate lumen output. Actual performance may vary based on CCT, options selected and end user application.

# LED General Purpose Strip Retrofit Kit

## LED TECHNICAL DATA

### Dimensions and Mounting Data



### Photometric Report

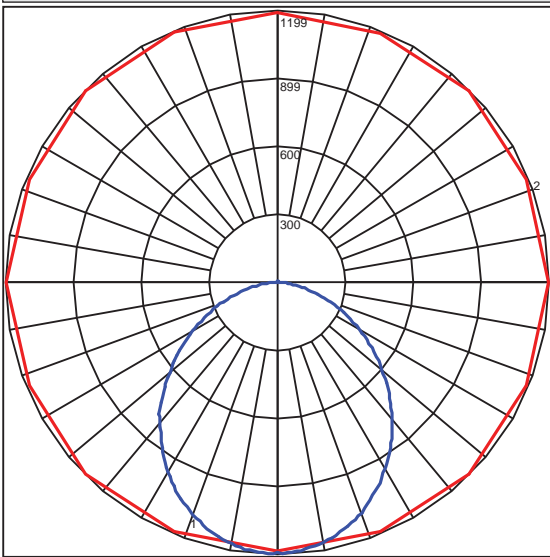
Based on photometric data for  
TCP Item # TCPGPR4UZDA850K

#### Coefficients of Utilization – Zonal Cavity Method

##### Effective Floor Cavity Reflectance 0.20

| RC<br>RW | 80  |     |     |     | 70  |     |     |     | 50  |     |     | 30  |     |     | 10 |    |    | 0  |
|----------|-----|-----|-----|-----|-----|-----|-----|-----|-----|-----|-----|-----|-----|-----|----|----|----|----|
|          | 70  | 50  | 30  | 10  | 70  | 50  | 30  | 10  | 50  | 30  | 10  | 50  | 30  | 10  | 50 | 30 | 10 | 0  |
| 0        | 117 | 117 | 117 | 117 | 113 | 113 | 113 | 113 | 106 | 106 | 106 | 100 | 100 | 100 | 94 | 94 | 94 | 91 |
| 1        | 105 | 99  | 94  | 89  | 101 | 96  | 91  | 87  | 90  | 86  | 83  | 84  | 81  | 79  | 79 | 77 | 75 | 72 |
| 2        | 94  | 85  | 78  | 71  | 91  | 83  | 76  | 70  | 78  | 72  | 67  | 73  | 68  | 64  | 69 | 65 | 61 | 59 |
| 3        | 86  | 74  | 66  | 59  | 82  | 72  | 64  | 58  | 68  | 61  | 55  | 64  | 58  | 53  | 60 | 55 | 51 | 49 |
| 4        | 78  | 66  | 56  | 49  | 75  | 64  | 55  | 48  | 60  | 53  | 47  | 57  | 50  | 45  | 54 | 48 | 44 | 41 |
| 5        | 72  | 59  | 49  | 42  | 69  | 57  | 48  | 42  | 54  | 46  | 40  | 51  | 44  | 39  | 48 | 42 | 38 | 35 |
| 6        | 66  | 53  | 43  | 37  | 64  | 51  | 43  | 36  | 48  | 41  | 35  | 46  | 39  | 34  | 44 | 38 | 33 | 31 |
| 7        | 61  | 48  | 39  | 32  | 59  | 46  | 38  | 32  | 44  | 37  | 31  | 42  | 35  | 30  | 40 | 34 | 29 | 27 |
| 8        | 57  | 43  | 35  | 29  | 55  | 42  | 34  | 28  | 40  | 33  | 28  | 38  | 32  | 27  | 37 | 31 | 26 | 24 |
| 9        | 53  | 40  | 31  | 26  | 52  | 39  | 31  | 26  | 37  | 30  | 25  | 35  | 29  | 24  | 34 | 28 | 24 | 22 |
| 10       | 50  | 37  | 29  | 23  | 48  | 36  | 28  | 23  | 34  | 27  | 23  | 33  | 27  | 22  | 31 | 26 | 22 | 20 |

#### Polar Graph



Maximum Candela = 1199.2 Located At Horizontal Angle = 180, Vertical Angle = 2  
# 1 - Vertical Plane Through Horizontal Angles (180 - 0) (Through Max. Cd.)  
# 2 - Horizontal Cone Through Vertical Angle (2) (Through Max. Cd.)

#### Zonal Lumen Summary

| Zone    | Lumens  | %Lamp | %Fixt  |
|---------|---------|-------|--------|
| 0-20    | 434.65  | N.A.  | 10.60  |
| 0-30    | 919.09  | N.A.  | 22.40  |
| 0-40    | 1500.32 | N.A.  | 36.50  |
| 0-60    | 2662.65 | N.A.  | 64.80  |
| 0-80    | 3497.56 | N.A.  | 85.10  |
| 0-90    | 3757.61 | N.A.  | 91.40  |
| 10-90   | 3644.78 | N.A.  | 88.70  |
| 20-40   | 1065.67 | N.A.  | 25.90  |
| 20-50   | 1669.16 | N.A.  | 40.60  |
| 40-70   | 1634.43 | N.A.  | 39.80  |
| 60-80   | 834.91  | N.A.  | 20.30  |
| 70-80   | 362.80  | N.A.  | 8.80   |
| 80-90   | 260.05  | N.A.  | 6.30   |
| 90-110  | 284.64  | N.A.  | 6.90   |
| 90-120  | 331.75  | N.A.  | 8.10   |
| 90-130  | 344.15  | N.A.  | 8.40   |
| 90-150  | 349.47  | N.A.  | 8.50   |
| 90-180  | 353.18  | N.A.  | 8.60   |
| 110-180 | 68.55   | N.A.  | 1.70   |
| 0-180   | 4110.79 | N.A.  | 100.00 |

Specifications and dimensions subject to change without notice.

Total Luminaire Efficiency = N.A.%



325 Campus Dr. | Aurora, Ohio 44202 | P: 800-324-1496 | tcp.com

we know light.™