

LED Post Top



EDA-PT	Segment	Wattage Range	Lumen Range
	Commercial & Residential	Selectable Wattage (40-150W)	5,200-19,500lm

Features

- Aesthetically Designed Post Top in Double Arm and Single Arm Variant with Pressure Die Cast Aluminum Housing.
- Efficacy of 140 lm/w with 120-347V Auto-Sensing Driver.
- IP65, Wet Location Rated with L70 @ 50,000 Hrs
- Compatible with 0-10V Dimming.
- Preinstalled Receptacle and Shorting Cap for ease of Photocell installation.

Specifications

Housing:

Pressure Die Cast Aluminum Housing in Black finish.

Optics:

Premium Grade Polycarbonate Diffuser

LED PCB:

Aluminum Based MCPCB for Long Life

Driver:

120-347V LED Auto Sensing driver with Operating temperature range of -40° C ~ +45° C.

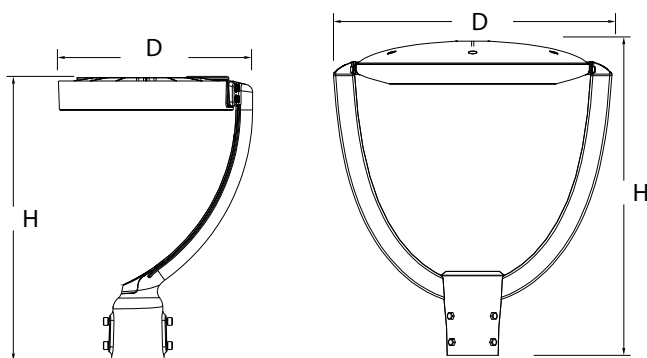
LED:

Field Selectable 30-40-50K CCT . Efficacy of 80lm/w.

Controls:

0-10V Dimming

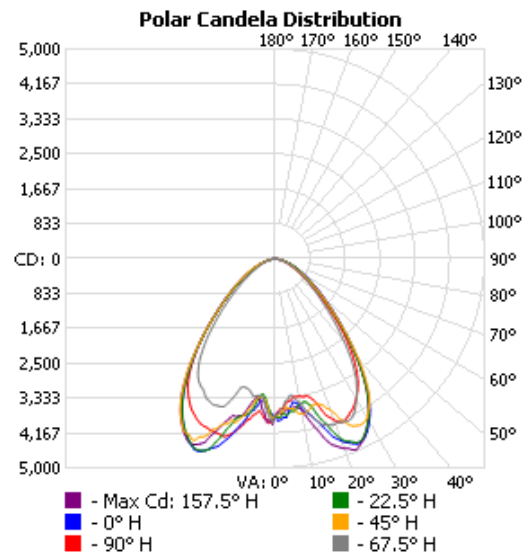
Dimensional Drawing



	D	H
EDA-PT/DB/T5/150L	17.7"	23.6"
EDA-PT/DB/T5/75M	14.96"	20.68"
EDA-PT/SN/T5/100L	11.46"	18.52"



Polar Candela



Applications



Residential Complex



Residences



Golf Course

LED Post Top



EDA-PT	Segment	Wattage Range	Lumen Range
	Commercial & Residential	Selectable Wattage (40-150W)	5,200-19,500lm

Ordering Information Example: EDA-PT/DB/T5/150L/MW/MK/120-347V/BK/D/SCR

Family Name	Fixture Type	Shape	Light Distribution Type	Wattage	CCT	Voltage	Body Finish	Dimmable	Others	Accessories
EDA (ENDURA)	PT (Post Top)	DB (Double Arm) SN (Single Arm)	T5 (Type V)	150L/MW (Selectable Wattage, Max. 150W) 75M/MW (Selectable Wattage, Max. 75W) 100L/MW (Selectable Wattage, Max. 100W)	MK (Selectable Kelvin/CCT)	120-347V	BK (Black)	D (0-10V)	SCR (Shorting Cap and Receptacle for PC)	EDA-PT/SN/T3/LENSL EDA-PT/SN/T2/LENSL

Product Specification

Ordering Code	Model Number	Wattage (W)	Input Voltage (V)	Hour Rating	Initial Lumens (lumen)	CCT (K)	CRI	Wet Location	Dimmable	Dimension D×H (inch)	Case QTY.
3682217	EDA-PT/DB/T5/150L/MW/MK/120-347V/BK/D/SCR	150-125-100	120-347V	50,000	19500-16250-13000	30-40-50	≥80	Yes	Y	17.7" × 23.6"	1
3682112	EDA-PT/DB/T5/75M/MW/MK/120-347V/BK/D/SCR	75-60-40	120-347V	50,000	9750-7800-5200	30-40-50	≥80	Yes	Y	14.96" × 20.68"	1
3682218	EDA-PT/SN/T5/100L/MW/MK/120-347V/BK/D/SCR	100-70-40	120-347V	50,000	13000-9100-5200	30-40-50	≥80	Yes	Y	11.46" × 18.52"	1
3660268	EDA-PT/SN/T3/LENSL	Type 3 Lens for PT/SN/100L Optic.									
3660269	EDA-PT/SN/T2/LENSL	Type II Lens for PT/SN/100L Optic.									

Related Products



SSL-AL3



SSL-WP1TS



SSL-FL



SSL-MAL