

Installation Instruction

LED "Running Man" Emergency Sign

Applicable models:
TL-RMES-11-WL



READ AND FOLLOW ALL SAFETY INSTRUCTIONS

IMPORTANT SAFEGUARDS

1. Do not mount near gas or electric heaters.
2. Equipment should be mounted in locations and at heights where it will not be subjected to tampering by unauthorized personnel.
3. The use of accessory equipment not recommended by the manufacturer may cause an unsafe condition.
4. Do not use this equipment for other than its intended use.

WARNING: RISK OF ELECTRIC SHOCK. NEVER CONNECT TO. DISCONNECT FROM OR SERVICE WHILE EQUIPMENT IS ENERGIZED

WARNING: FAILURE TO FOLLOW THESE INSTRUCTIONS AND WARNINGS MAY RESULT IN- DEATH, SERIOUS INJURY OR SIGNIFICANT PROPERTY DAMAGE. For your protection, read and follow these warnings and instructions carefully before installing or maintaining this equipment. These instructions do not attempt to cover all installation and maintenance situations.

1. All service shall be performed by qualified service personnel This product must be installed and maintained in accordance with the applicable installation codes by a person familiar with the construction operation of the product and the hazards involved.
2. This product must be installed in accordance with the applicable installation codes and ordinances.
3. Before wiring to power supply, turn off electricity at fuse or circuit breaker.
4. Disconnect A C power and unplug battery before servicing.
5. Consult your local building code for approved wiring and installation
6. UL listed for wet locations(-20°C-40°C).
7. Do not let power supply cord touch hot surfaces.
8. Do not mount near gas or electric heater.
9. Equipment should be mounted in locations and at heights where it will not readily be subjected to tampering by unauthorized.
10. The use of accessory equipment not recommended by the manufacturer may cause an unsafe condition
11. Do not use this equipment for other than intended use.
12. The AC voltage rating of this equipment is specified on the product label. Do not connect equipment to any other voltage.

SAVE THESE INSTRUCTIONS AND DELIVER TO OWNER AFTER INSTALLATION:

INSTALLATION INSTRUCTIONS FOR EMERGENCY EXIT SIGN WALL MOUNT INSTALLATION

1. Use flat head screwdriver to loosen the screws on the lens
2. Remove lens, from sign, set aside.
3. Remove running man stencil from housing, set aside.
4. Drill or knock out appropriate knockouts on back plate to fit junction box mounting points
5. Drill or knock out center hole in back plate for supply wire leads
6. Put the junction box gasket to the back plate.
7. Route input wires through center hole of the back plate, use black and white wires.
8. Secure back plate to junction box (hardware not included).
9. Remove proper chevron(s) as required. When removing chevrons it may be helpful to remove the color diffuser panel to allow easier access to the chevrons. If removing color diffuser panel it is important to

Installation Instruction

LED "Running Man" Emergency Sign

Applicable models:
TL-RMES-11-WL

remember to reinstall the diffuse panel once chevron(s) have been removed.

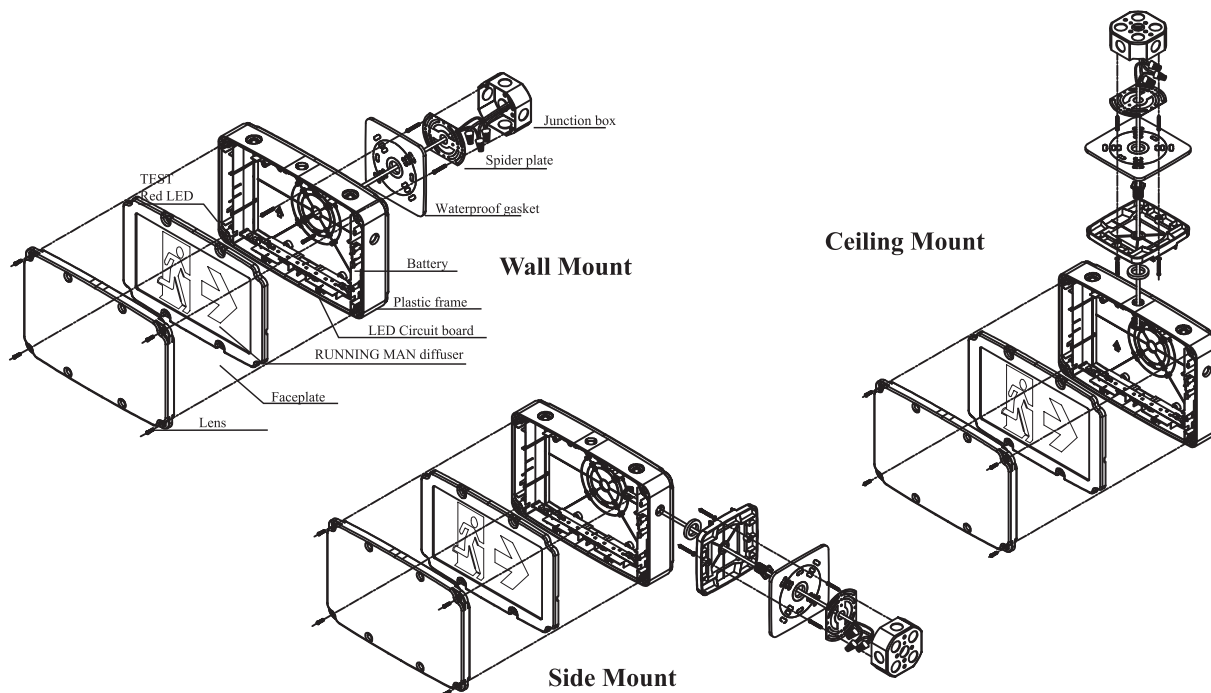
11. Connect battery to lamp board (battery back up models only).
12. Secure face plate(s) to the housing.
13. Secure lens to face plate and securely torque screws.
14. Apply continuous AC power and press TEST button to check operation.

CEILING OR END MOUNT INSTALLATION

1. Use flat head screwdriver to loosen the screws on the lens.
2. Remove lens, from sign, set aside
3. Remove running man stencil from housing, set aside.
4. Drill a 3/4" hole through the desired mounting knock out located on the frame of the sign, For ceiling mount, knock out will be located on the top of the housing. For wall mount, knock out will be located on the side of the housing.
5. Using provided hardware, thread nut onto pipe nipple. Slide pipe nipple through canopy center hole.
6. Put junction box gasket to the back of mounting canopy and put pipe thread gasket to the front of mounting canopy.
7. Place screws (provided) in holes on the canopy.
8. Route input wires through knockout in frame, pipe nut and metal mounting plate.
9. use black and white wires (use red and white wires.)

WARNING: Properly insulate the unused lead with a wire nut (provided) or other approved means

10. Push wire connections into the J-Box. Secure mounting plate to junction box (hardware not included)
11. Secure the canopy to the steel mounting plate with screws installed in step 7.
12. Place pipe nipple through the mounting hole of the housing until the gasket is touching the housing frame, Thread a second nut onto the pipe nipple on the inside of the housing to lock the canopy into place. Once canopy is locked into position there will not be any side-to-side movement of the canopy
13. Remove proper chevron(s) as required. When removing chevrons it may be helpful to remove the color diffuser panel allow easier access to the chevrons. If removing color diffuser panel it is important to remember to reinstall the diffuser panel once chevron(s) have been removed
14. Connect battery to lamp board (battery back up models only)
15. Secure face plate(s) to the housing
16. Secure lens to face plate and securely torque screw
17. Apply continuous AC power and press " TEST button to check operation



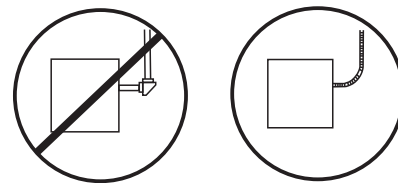
Installation Instruction

LED "Running Man" Emergency Sign

Applicable models:
TL-RMES-11-WL

CONDUIT ENTRY

1. Drill a 3/4" hole through the desired conduit entry knock out located on the top or side of the frame of the sign.
2. Route the AC input into housing.
3. All conduit connections must use UL listed and suitable for wet location parts.
4. To finish installation of EXIT sign, reference wall, Ceiling or End Mount instructions.



Flexible conduit only

OPERATION (BATTERY BACKUP)

1. Apply AC power to the unit, The LED indicator will be RED.
2. After the battery has been charged for 24 hours, test the unit by pushing the switch. The LED indicator turns OFF and the LED board stays ON.
3. When the switch is released, the LED indicator runs back to RED and the LED board stays ON.

MAINTENANCE

Caution: Always turn off AC power to the equipment before servicing, Servicing should be performed only by qualified service technician. Use only MANUFACTURER supplied replacement parts.

Battery: the battery supplied with EM model requires no maintenance. However, it should be tested periodically and replaced when it no longer operates the connected sign for the duration for a 30-second or 90-minute test.

WIRING DIAGRAM

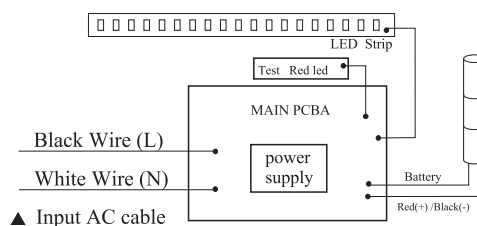
AC Wiring

Working voltage:

AC120V-347V 50Hz/60Hz

Black Wire (L)

White Wire (N)



Product parameters:

1. Rated voltage :AC120V-347V 50/60Hz
2. Input current:0.06A
3. Input wattage:4.2W(Max)
4. Rcharge time:24hours
5. Emergency duration:120mins
6. LED Built-in or replaced:SMDLED*24pcs
7. For use in -20° C minimum, 40° C maximum temperature.

