

# LED FIXTURE

SSL Series



## LED Linear High Bay SSL-LHB3

Offering quality lighting and excellent energy savings compared to linear fluorescent and HID high bay fixtures.



5-year limited warranty

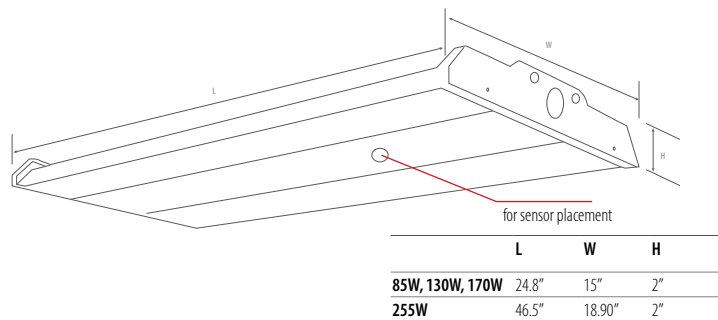
Operating temperature range -40° C ~ +50° C



### Features & Benefits

- cUL listed, DLC (Premium)
- System light efficacy 130 LPW, 120-347V auto-sensing driver
- 10' white cord, 10' aircraft cable (set)
- Formed steel housing with white powder coat finish/ frosted lens
- Equipped with 12V receptacle, for microwave motion sensor option
- 0-10V dimming, product can dim down to 10%
- CRI≥80, 120° beam spread, L70 @ 100,000 hrs
- Damp location rated

### Dimensional Drawing



### Ordering Information Example: SSL-LHB3/85W/40/120-347V/AC/D

Family Name	Fixture Type	Wattage	CCT	Voltage (V)	Mounting	Dimmable	Options
SSL (Solid state lighting)	LHB3 (Linear high bay)	85W 130W 170W 255W	40 (4000K) 50 (5000K)	120-347V	AC (Aircraft cable 10' set)	D (0-10V dimming)	12V Microwave sensor (field install)

### Product Specification

Ordering Code	DLC (Premium)	Model Number	Wattage (W)	Input Voltage(V)	Hour Rating	Initial Delivered Lumens (lumen)	CCT (K)	CRI	Dimension L×W×H(inch)	Case QTY.
3666307	Yes	SSL-LHB3/85W/40/120-347V/AC/D	85	120-347V	100,000	11475	4000	>80	24.8" x 15" x 2"	1
3666308	Yes	SSL-LHB3/85W/50/120-347V/AC/D	85	120-347V	100,000	11560	5000	>80	24.8" x 15" x 2"	1
3667300	Yes	SSL-LHB3/130W/40/120-347V/AC/D	130	120-347V	100,000	17550	4000	>80	24.8" x 15" x 2"	1
3667301	Yes	SSL-LHB3/130W/50/120-347V/AC/D	130	120-347V	100,000	17680	5000	>80	24.8" x 15" x 2"	1

# LED Linear High Bay

## SSL-LHB3

Ordering Code	DLC (Premium)	Model Number	Wattage (W)	Input Voltage(V)	Hour Rating	Initial Delivered Lumens (lumen)	CCT (K)	CRI	Dimension LxWxH(inch)	Case QTY.
3667302	Yes	SSL-LHB3/170W/40/120-347V/AC/D	170	120-347V	100,000	22950	4000	>80	24.8" x 15" x 2"	1
3667303	Yes	SSL-LHB3/170W/50/120-347V/AC/D	170	120-347V	100,000	23120	5000	>80	24.8" x 15" x 2"	1
3668301	Yes	SSL-LHB3/255W/40/120-347V/AC/D	255	120-347V	100,000	34425	4000	>80	46.5" x 18.9" x 2"	1
3668302	Yes	SSL-LHB3/255W/50/120-347V/AC/D	255	120-347V	100,000	34680	5000	>80	46.5" x 18.9" x 2"	1
3660192	-	SSL-LHB3/LV/12V/SENSOR2	SSL Linear highbay3 12V DC microwave sensor2							
3660193	-	SSL-LHB3/LV2/12V/CONTROLLER2	SSL Linear highbay3 12V DC microwave sensor remote control2 (required for programing)							
3660142	-	SSL-LHB3/SWG	SSL Linear highbay3 long wire guard for 255W highbay							47.0" x 19.0" x 2"
-	-	SSL-LHB3/PDT/KIT	SSL Linear highbay3 pendant mounting hanger kit (1pcs)							
-	-	SSL-LHB3/SRF/KIT	SSL Linear highbay3 surface mounting kit. (2pcs)							
3660090	-	SSL-LHB2/MWG	SSL Linear highbay2 medium wire guard for 90W to 175W highbay & 85W to 170W LHB3 series							
3660091	-	SSL-LHB2/LWG	SSL Linear highbay2 large wire guard for 265W highbay							

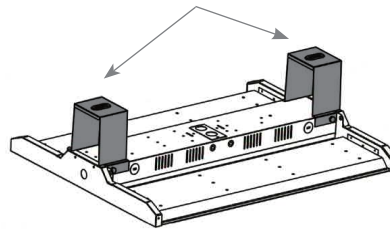
SSL-LHB3/LV/12V/CONTROLLER2



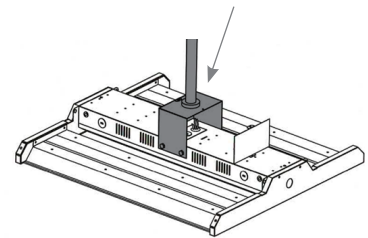
SSL-LHB3/LV/12V/SENSOR2



SSL-LHB3/SRF/KIT(2pcs)



SSL-LHB3/PDT/KIT (1pcs)



### Remote Instruction

<b>ON</b>	Turns on luminaires
<b>OFF</b>	Turns off luminaires
<b>TEST</b>	Test mode will last 5 mins then return to previous setting Test mode will hold time 2 seconds SDL 50% and standby time 2 seconds
<b>RESET</b>	See below for factory settings highlighted in yellow
<b>DIM+/-</b>	Remote will manually dim luminaire up or down by increments of 0.5volts. Must be smooth dimming if holding dimming button.
<b>TRIM-LEVEL</b>	Set maximum threshold value 50/ 75/ 100% (Default = 100%)
<b>SENSITIVITY</b>	OFF (PIR off enter PC ON/OFF function)/ LOW (50%)/ HIGH (100%) (Default = HIGH)
<b>HOLD TIME</b>	(Time of no occupancy after which fixture goes to standby) 30s/ 5min/ 15min/ 30min (Default = 5min)
<b>F MODE DAYLIGHT HARVESTING</b>	(Enable/ Disable) measure and set feature to allow the fixture to maintain a light level. If turned ON. (Default = Disabled)
<b>STANDBY DIM</b>	Select any standby dim level 0/ 10/ 30/ 50% (Default = 50%)
<b>STANDBY TIME</b>	Standby time - 10s/ 5min/ 15min/ 30min/ 1h/∞. "∞" means the standby time is infinite and the fixture is effectively controlled by the daylight sensor. (Default = 30min)
<b>PHOTOCELL</b>	LOW (10fc) and HIGH (50fc) settings (Default = Disabled) CAL collecting the current LUX level
<b>MODE</b>	Set settings to a program profile A to D
<b>SEND</b>	Send settings to sensor

