



Instant Start Electronic Ballast UNV & 347V



Product Description

Compatible with T8, 32/25/17 & 30/28/25 wattage lamp types
THD <10%, high power factor
Normal ballast factor
Parallel lamp operation, enables lamps to remain on when one fails
Sound Rating A, for quiet operation
OCV 600V, No PCB's
Remote Mounting: 18 ft. max.
Maximum ambient temperature: 131°F/ 55°C
Maximum case temperature Tc: 194°F/ 90°C

Certifications

Meets ANSI standard C82.11-2002 and C62.41-2002
Meets FCC 18 non-consumer limits(277V)
UL&cULus listed (Class P, Type 1 Outdoor), Type HL
RoHS compliance

Warranty

Commercial/ Industrial product use with case Temp. 75°C or below	<u>5 years</u>
Commercial/ Industrial product use with case Temp. 90°C or below	<u>3 years</u>

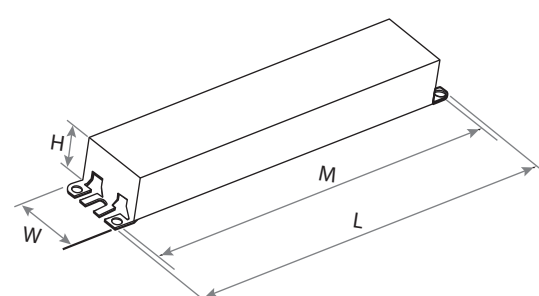
Product Specification

Order Code	Model Number	No. of Lamps	Lamp Type	Input Volts (V)	Input Power (W)	Line Current (A)	Ballast Factor	THD (≤%)	Power Factor (≥)
Instant Start, 120V 50/60Hz									
4161100	TL232UNV-IS	1	F32T8	120	35	0.29	1.08	10	0.98
	TL232UNV-IS	2	F32T8	120	56	0.46	0.89	10	0.98
4161101	TL432UNV-IS	3	F32T8	120	92	0.77	0.96	10	0.98
	TL432UNV-IS	4	F32T8	120	112	0.93	0.88	10	0.98
Instant Start, 347V 50/60Hz									
4161200	TL232347-IS	1	F32T8	347	37	0.112	1.08	10	0.98
	TL232347-IS	2	F32T8	347	56	0.170	0.89	10	0.98
4161201	TL432347-IS	3	F32T8	347	88	0.260	0.94	10	0.97
	TL432347-IS	4	F32T8	347	109	0.322	0.87	10	0.98

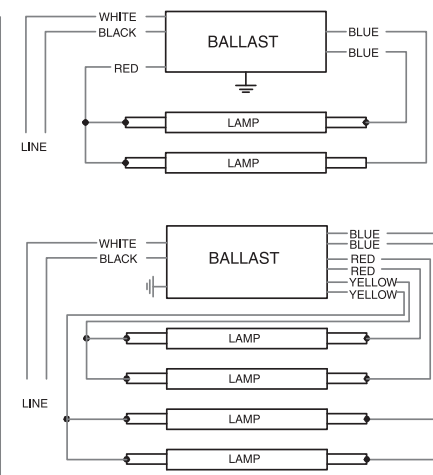
Dimensional drawing

9.5"(L) x 1.3"(W) x 1.1"(H) x 8.9"(M)
 0.79 lbs for TL232UNV-IS
 1.10 lbs for TL432UNV-IS
 TL232347-IS, TL432347-IS

Lead Length: 18AWG
 White, Black 25" (±1")
 Yellow 46" (±1")
 Blue/ Red 31" (±1")



Ballast Wiring



For one lamp application, cap any blue lead insulate to 600V

For three lamps application, cap any blue lead insulate to 600V