

cLight II LED Corn Lamp IP64

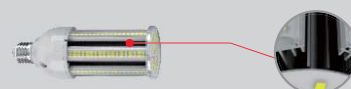


Features

1. 150lm/W. Use Epistar chip 2835.



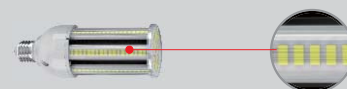
2. Pure Aluminum 1070, better heat dissipation .



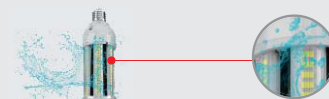
3. Driver sealed with thermal paste, lower working temperature and waterproof.



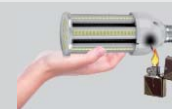
4. Transparent PC cover to protect LED.



5. IP64



6. Flame redartant material.

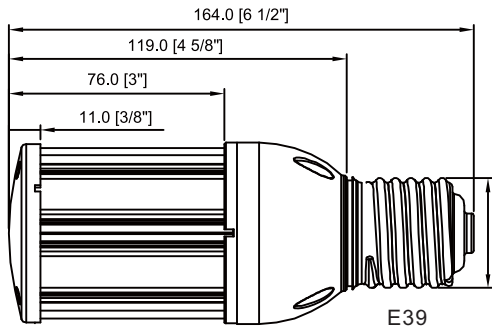


7. Replace HPS, MHL, HQL, HID, CFL Lamps, applicable in enclosed illuminaires

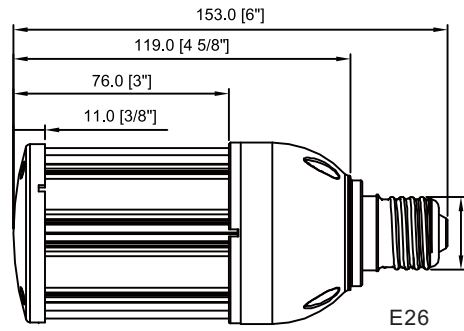
Specifications

Model	Color	CCT	Lumen (lm) (±10%)	Power(w) (±10%)	Base	Voltage
CB26-012-AW-W-07H	White	5000K	1799	12	E26	100-277V AC
CB26-012-AW-NW-07H	Neutral white	4000K	1700	12	E26	100-277V AC
CB26-012-AW-WW-07H	Warm white	3000K	1620	12	E26	100-277V AC
CB39-012-AW-W-07H	White	5000K	1799	12	E39	100-277V AC
CB39-012-AW-NW-07H	Neutral white	4000K	1700	12	E39	100-277V AC
CB39-012-AW-WW-07H	Warm white	3000K	1620	12	E39	100-277V AC
CB26-020-AW-W-07H	White	5000K	2871	20	E26	100-277V AC
CB26-020-AW-NW-07H	Neutral white	4000K	2900	20	E26	100-277V AC
CB26-020-AW-WW-07H	Warm white	3000K	2800	20	E26	100-277V AC
CB39-020-AW-W-07H	White	5000K	2871	20	E39	100-277V AC
CB39-020-AW-NW-07H	Neutral white	4000K	2900	20	E39	100-277V AC
CB39-020-AW-WW-07H	Warm white	3000K	2800	20	E39	100-277V AC
CB26-027-AW-W-07H	White	5000K	4065	27	E26	100-277V AC
CB26-027-AW-NW-07H	Neutral white	4000K	3920	27	E26	100-277V AC
CB26-027-AW-WW-07H	Warm white	3000K	3780	27	E26	100-277V AC
CB39-027-AW-W-07H	White	5000K	4065	27	E39	100-277V AC
CB39-027-AW-NW-07H	Neutral white	4000K	3920	27	E39	100-277V AC
CB39-027-AW-WW-07H	Warm white	3000K	3780	27	E39	100-277V AC
CB26-036-AW-W-07H	White	5000K	5026	36	E26	100-277V AC
CB26-036-AW-NW-07H	Neutral white	4000K	5250	36	E26	100-277V AC
CB26-036-AW-WW-07H	Warm white	3000K	5040	36	E26	100-277V AC
CB39-036-AW-W-07H	White	5000K	5026	36	E39	100-277V AC
CB39-036-AW-NW-07H	Neutral white	4000K	5250	36	E39	100-277V AC
CB39-036-AW-WW-07H	Warm white	3000K	5040	36	E39	100-277V AC
CB26-045-AW-W-07H	White	5000K	6687	45	E26	100-277V AC
CB26-045-AW-NW-07H	Neutral white	4000K	6550	45	E26	100-277V AC
CB26-045-AW-WW-07H	Warm white	3000K	6300	45	E26	100-277V AC
CB39-045-AW-W-07H	White	5000K	6687	45	E39	100-277V AC
CB39-045-AW-NW-07H	Neutral white	4000K	6550	45	E39	100-277V AC
CB39-045-AW-WW-07H	Warm white	3000K	6300	45	E39	100-277V AC
CB26-054-AW-W-07H	White	5000K	7968	54	E26	100-277V AC
CB26-054-AW-NW-07H	Neutral white	4000K	7900	54	E26	100-277V AC
CB26-054-AW-WW-07H	Warm white	3000K	7560	54	E26	100-277V AC
CB39-054-AW-W-07H	White	5000K	7968	54	E39	100-277V AC
CB39-054-AW-NW-07H	Neutral white	4000K	7900	54	E39	100-277V AC
CB39-054-AW-WW-07H	Warm white	3000K	7560	54	E39	100-277V AC

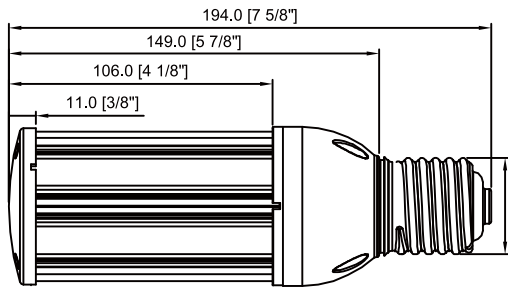
Dimensions (Unit: mm)



CB39-012-AW-W-07H

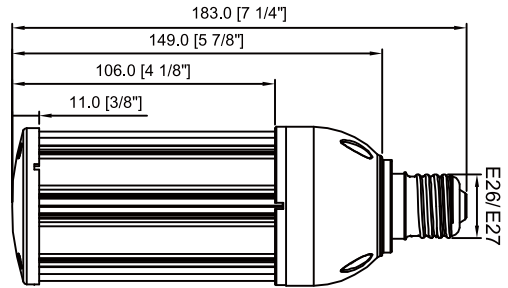


CB26-012-AW-W-07H



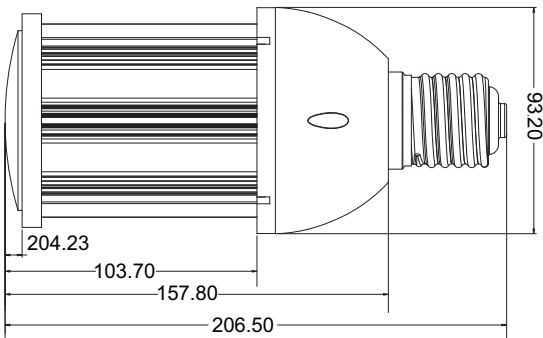
CB39-020-AW-W-07H

E39



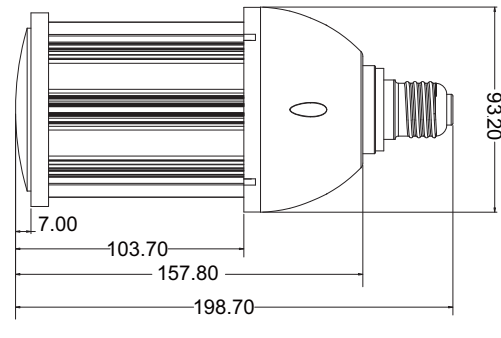
CB26-020-AW-W-07H

E26



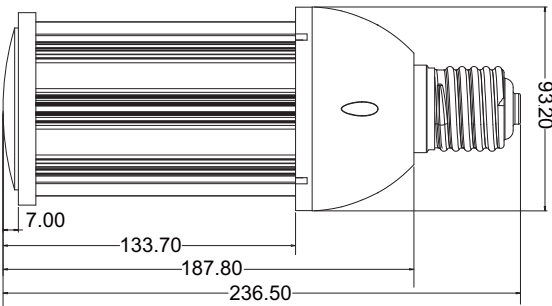
CB39-027-AW-W-07H

E39



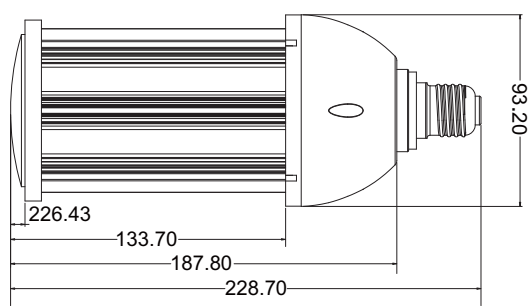
CB26-027-AW-W-07H

E26



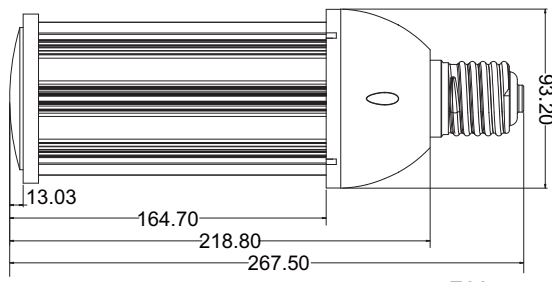
CB39-036-AW-W-07H

E39



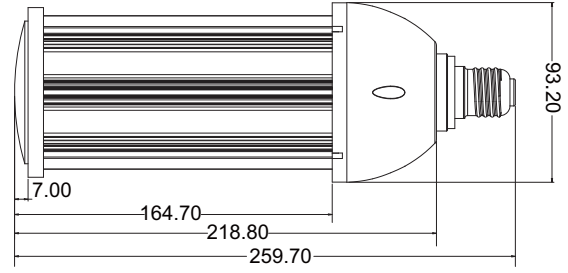
CB26-036-AW-W-07H

E26



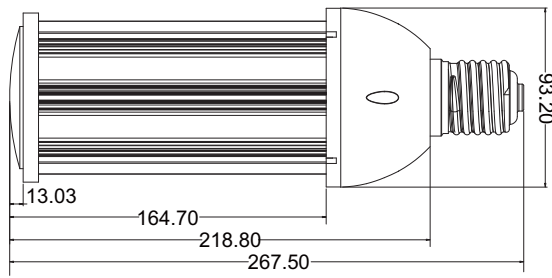
CB39-045-AW-W-07H

E39



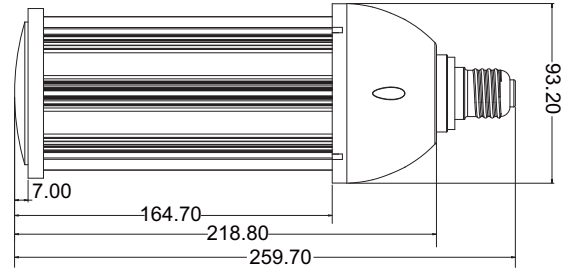
CB26-045-AW-W-07H

E26



CB39-054-AW-W-07H

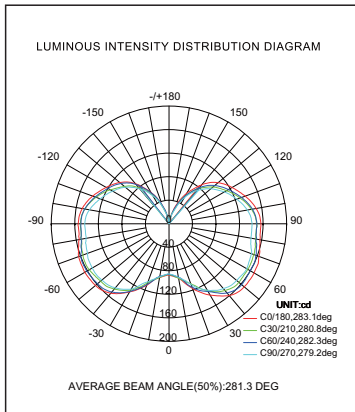
E39



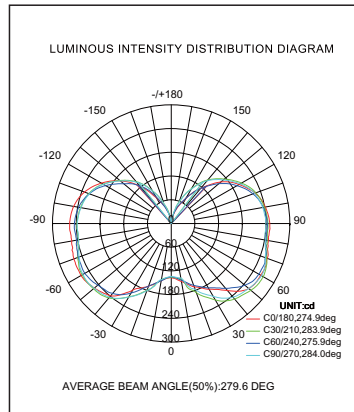
CB26-054-AW-W-07H

E26

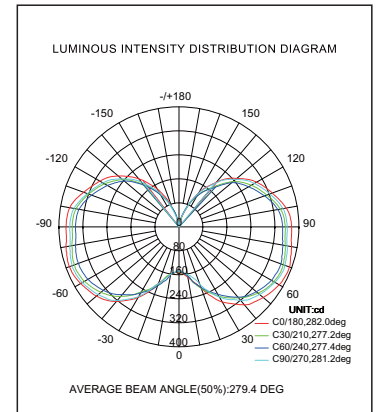
Luminous Intensity Distribution Diagram



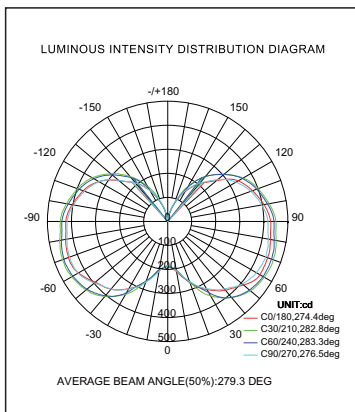
CB39-012-AW-W-07H



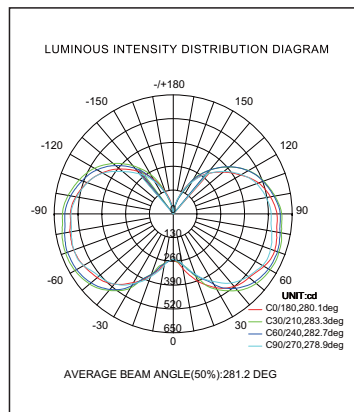
CB39-020-AW-W-07H



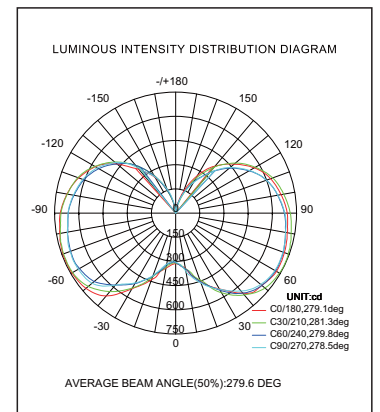
CB39-027-AW-W-07H



CB39-036-AW-W-07H



CB39-045-AW-W-07H



CB39-054-AW-W-07H

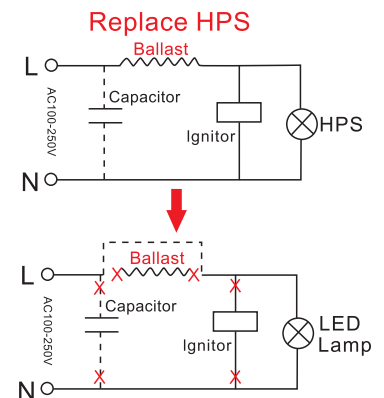
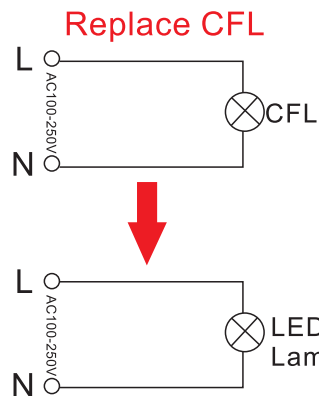
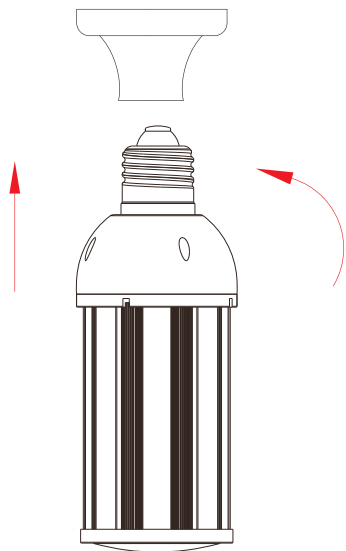
Main Applications



Widely use in slow lane, narrow lane, residential area, scenic spot, park, square and other public places for indoor or outdoor lighting and replace traditional sodium lamp and energy-saving lamp.



Installation



Packing information

12W Inner box dimension(K3A paper):70*70*173MM
 Product net weight:0.28KG
 Product gross weight:0.32KG
 Carton box dimension(A=K paper, 16 PCS inside):300*300*195MM
 Carton box gross weight5.12KG

20W Inner box dimension(K3A paper):70*70*203MM
 Product net weight:0.34KG
 Product gross weight:0.39KG
 Carton box dimension(A=K paper, 16 PCS inside):300*300*225MM
 Carton box gross weight:6.24KG

27W Inner box dimension(K3A paper):120*120*240MM
 Product net weight:0.62KG
 Product gross weight:0.73KG
 Carton box dimension(A=K paper, 24 PCS inside):510*380*500MM
 Carton box gross weight:18.4KG

Packing information

36W Inner box dimension(K3A paper):120*120*260mm
Product net weight:0.70KG
Product gross weight:0.81KG
Carton box dimension(A=K paper, 24 PCS inside):510*380*560mm
Carton box gross weight:20.4KG

45W Inner box dimension(K3A paper):120*120*290mm
Product net weight:0.78KG
Product gross weight:0.9KG
Carton box dimension(A=K paper, 24 PCS inside):510*380*620mm
Carton box gross weight:22.5KG

54W Inner box dimension(K3A paper):120*120*290mm
Product net weight:0.85KG
Product gross weight:0.97KG
Carton box dimension(A=K paper, 24 PCS inside):510*380*620mm
Carton box gross weight:24.3KG

Notice

- 1.Please read the specification first, to make sure the service environment matches the condition in the specification before using.
- 2.Please confirm the applicable power supply before using.
- 3.Use ambient environment:-35°C to 45°C, ambient temperature in closed space Max 80°C.
- 4.Make sure the switch of product is off before connect to the power supply to prevent electric shock.
- 5.Operation against rules may damage your property even harm to your personal safety.
- 6.For all models have been suitable for use in totally enclosed luminaires.
- 7.Dangerous high voltage, Non-professionals are not allowed to maintain the products.