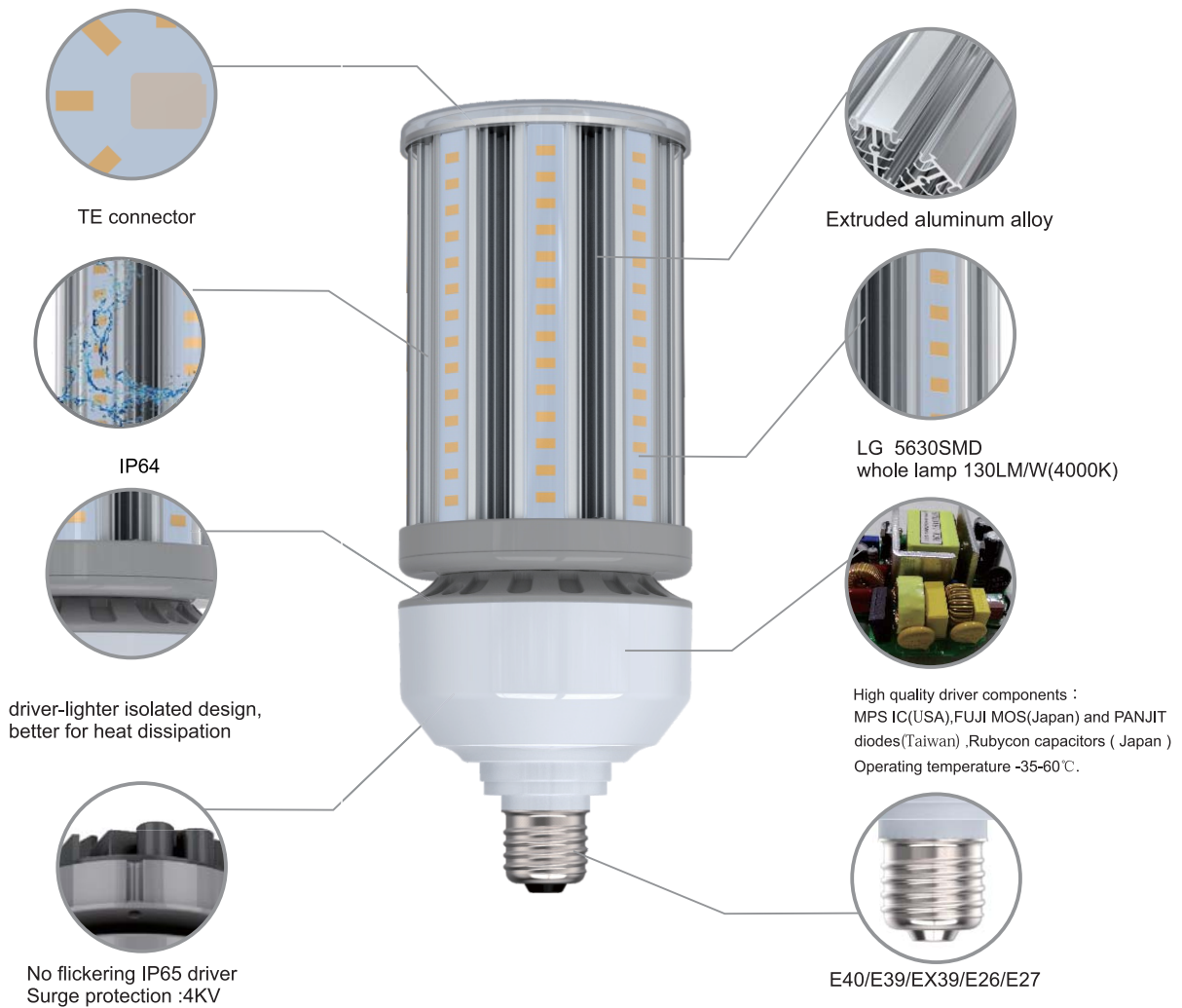


FOTACH LED Corn Lamp IP64



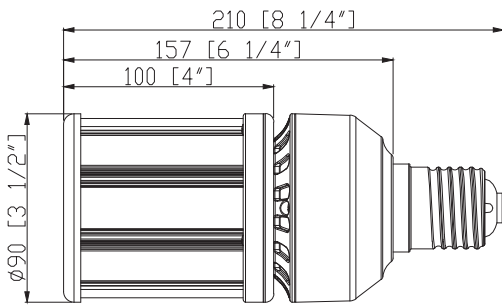
Features



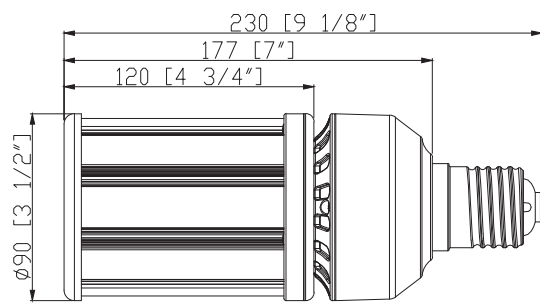
Specifications

Model	Color	CCT	Lumen (lm) (±10%)	Power(w) (±10%)	Base	Voltage
CB39-027-AW-W	White	5000K	3570	27	E39/EX39/E40/E26/E27	100-277V AC
CB39-027-AW-NW	Neutral white	4000K	3400	27	E39/EX39/E40/E26/E27	100-277V AC
CB39-027-AW-WW	Warm white	3000K	3120	27	E39/EX39/E40/E26/E27	100-277V AC
CB39-036-AW-W	White	5000K	5010	36	E39/EX39/E40/E26/E27	100-277V AC
CB39-036-AW-NW	Neutral white	4000K	4780	36	E39/EX39/E40/E26/E27	100-277V AC
CB39-036-AW-WW	Warm white	3000K	4390	36	E39/EX39/E40/E26/E27	100-277V AC
CB39-045-AW-W	White	5000K	6380	45	E39/EX39/E40/E26/E27	100-277V AC
CB39-045-AW-NW	Neutral white	4000K	6080	45	E39/EX39/E40/E26/E27	100-277V AC
CB39-045-AW-WW	Warm white	3000K	5590	45	E39/EX39/E40/E26/E27	100-277V AC
CB39-054-AW-W	White	5000K	7440	54	E39/EX39/E40/E26/E27	100-277V AC
CB39-054-AW-NW	Neutral white	4000K	7090	54	E39/EX39/E40/E26/E27	100-277V AC
CB39-054-AW-WW	Warm white	3000K	6520	54	E39/EX39/E40E26/E27	100-277V AC

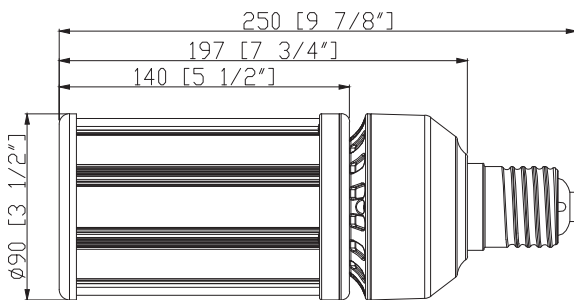
Dimensions (Unit: mm)



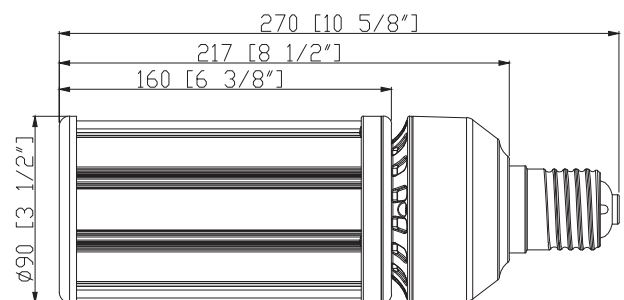
CB39-027-AW



CB39-036-AW

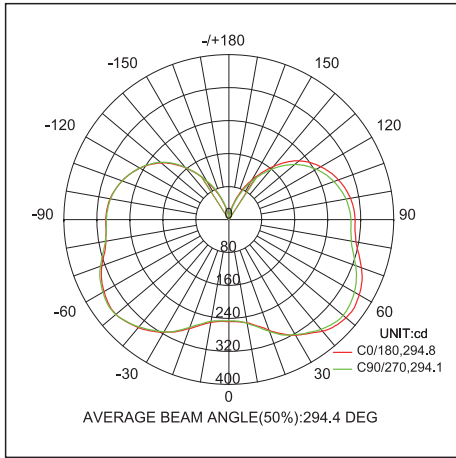


CB39-045-AW

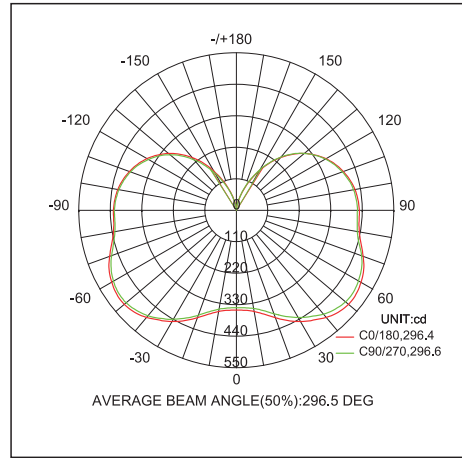


CB39-054-AW

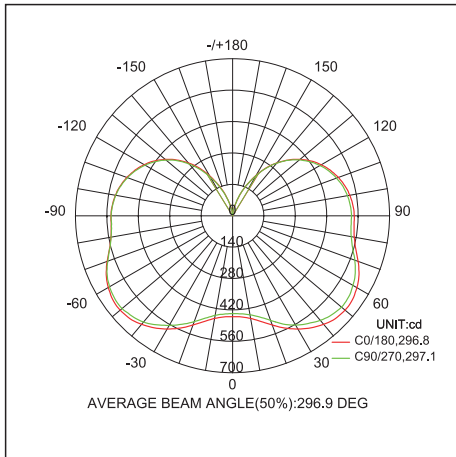
Luminous Intensity Distribution Diagram



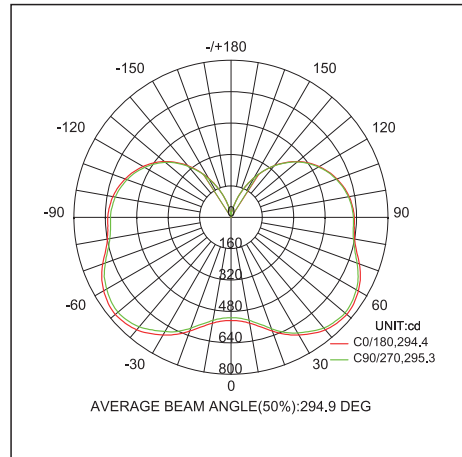
CB39-027-AW-NW



CB39-036-AW-NW

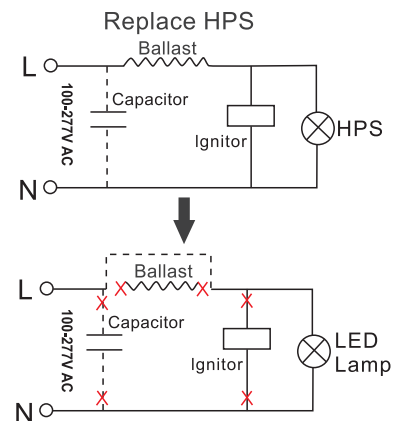
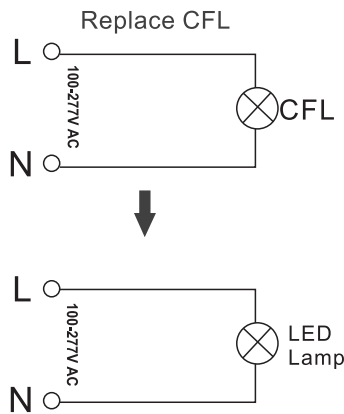
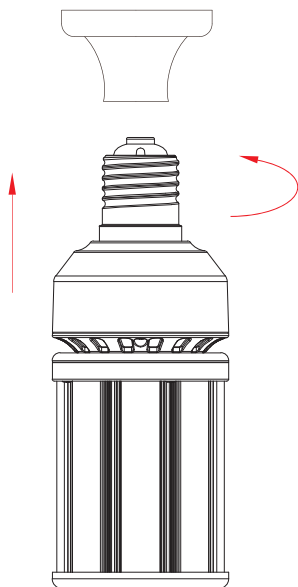


CB39-045-AW-NW



CB39-054-AW-NW

Installation



Main Applications



Widely use in slow lane, narrow lane, residential area, scenic spot, park, square and other public places for indoor or outdoor lighting and replace traditional sodium lamp and energy-saving lamp.

Packing information

specifications	Packing qty.	Inner box dimension	carton dimension	Net weight	Gross weight
27W	18PCS	122*122*235mm	390*390*640mm	0.8KG	17.5KG
36W	18PCS	122*122*265mm	390*390*600mm	0.85KG	18.5KG
45W	18PCS	122*122*275mm	390*390*570mm	0.9KG	19.5KG
54W	18PCS	122*122*300mm	390*390*510mm	1.0KG	21KG

! Notice

1. Please read the specification first, to make sure the service environment matches the condition in the specification before using.
2. Please confirm the applicable power supply before using.
3. Make sure the switch of product is off before connect to the power supply to prevent electric shock.
4. Operation against rules may damage your property even harm to your personal safety.
5. Dangerous high voltage, Non-professionals are not allowed to maintain the products.