

# 180 Degree Corn Lamp

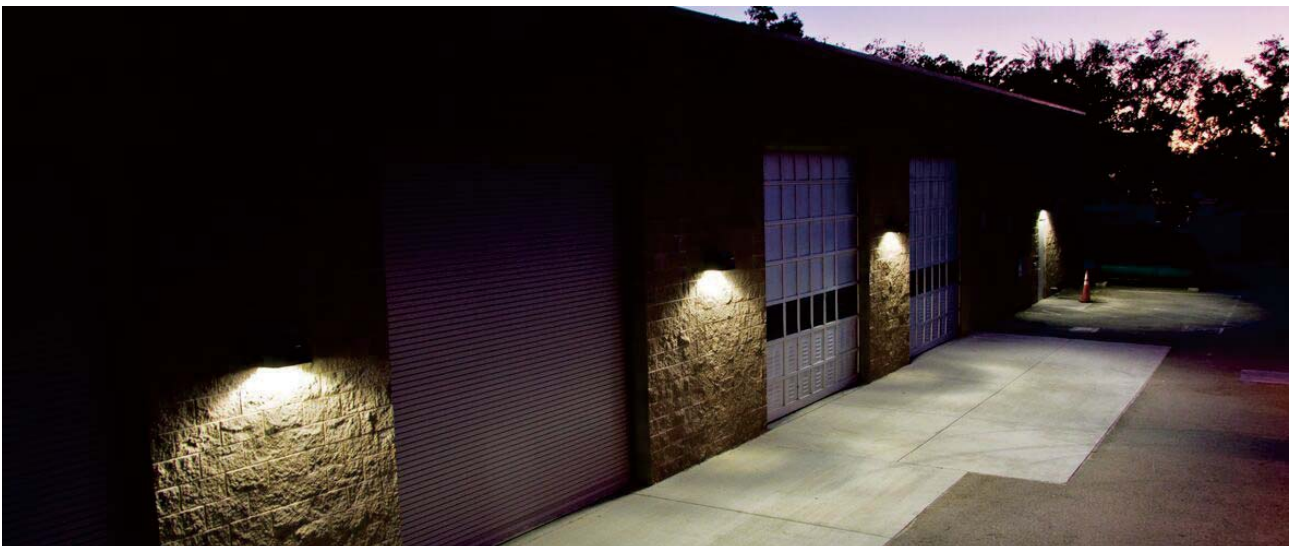


## Features

1. Adopt aluminum alloy as main body material, and adopt extrusion profile process;
2. Unique cooling design in junction with fan, excellent thermal management, ensure long lifespan of LEDs;
3. High-efficiency and energy-saving LED driver.

## Application

Suitable for Shoebox, Street light, Flood light, etc.



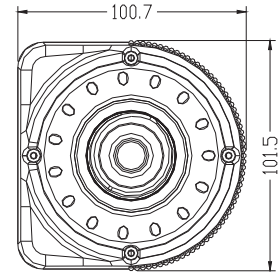
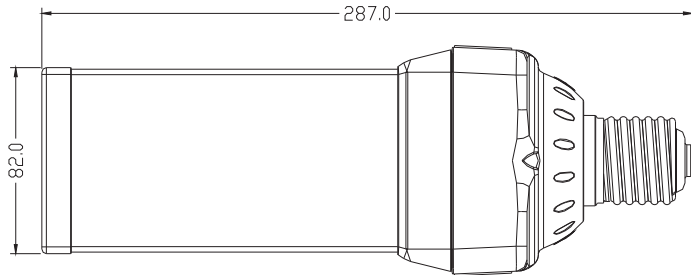


## Technical parameters

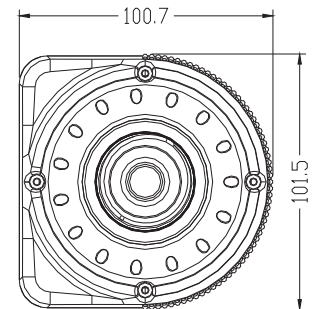
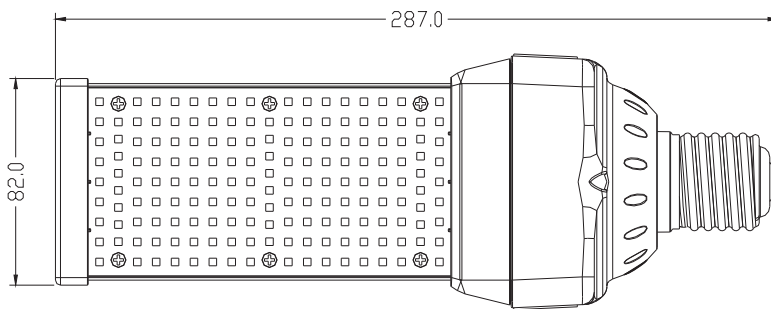
Model	CCT	Color	Lumen(lm) (±10%)	Beam (angle)	Power(w) (±10%)	Voltage, Frequency	Current	CRI	PF
CB39-080-AW-WW-01	3000K	Warm White	9240	110°	80	100-277V AC 50/60Hz	1.52A	> 80	≥0.9
CB39-080-AW-NW-01	4000K	Neutral white	9875						
CB39-080-AW-W-01	5000K	White	10088						
CB39-080-AW-WW-01H	3000K	Warm White	10065	110°	80	100-277V AC 50/60Hz	1.52A	> 80	≥0.9
CB39-080-AW-NW-01H	4000K	Neutral white	10750						
CB39-080-AW-W-01H	5000K	White	10985						
CB39-100-AW-WW-01	3000K	Warm White	11790	110°	100	100-277V AC 50/60Hz	1.9A	> 80	≥0.9
CB39-100-AW-NW-01	4000K	Neutral white	12660						
CB39-100-AW-W-01	5000K	White	12500						
CB39-100-AW-WW-01H	3000K	Warm White	12840	110°	100	100-277V AC 50/60Hz	1.9A	> 80	≥0.9
CB39-100-AW-NW-01H	4000K	Neutral white	13785						
CB39-100-AW-W-01H	5000K	White	13620						
CB39-120-AW-WW-01	3000K	Warm White	14148	110°	120	100-277V AC 50/60Hz	2.2A	> 80	≥0.9
CB39-120-AW-NW-01	4000K	Neutral white	15370						
CB39-120-AW-W-01	5000K	White	15300						

## Dimension(Unit:mm)

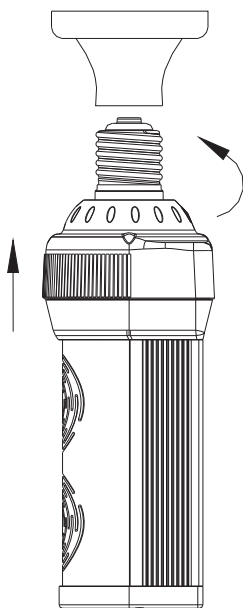
80W/100W/120W Normal Brightness



80W/100W High Brightness

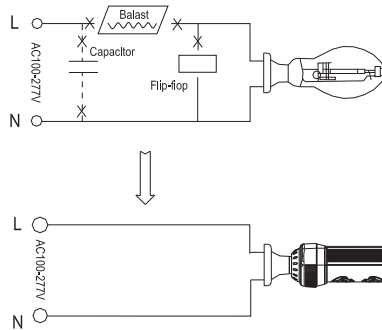


## Installation



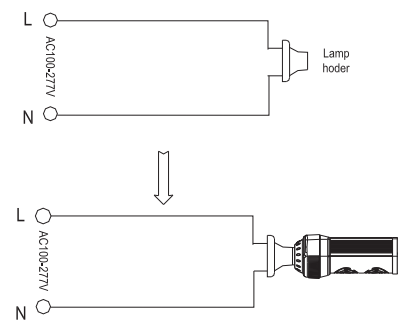
### Step 1

Remove old ballast or disconnect from existing lamp holder. Remove and dispose of ballast in correct manner. Install new LED replacement lamp. please make sure the old fitting is correctly earth. (North America 100-277VAC)



### Step 2

Reconnect directly to the existing lamp holder. Install new LED replacement lamp. please make sure the old fitting is correctly earth. (North America 100-277VAC)



## Packing information

Type	Power	Packing qty.	Inner box dimension	Outer carton dimension	Net weight	Gross weight
Normal Brightness	80W	12PCS	102*102*330mm	438*330*335mm	1.33kg	19.0kg
	100W	12PCS	102*102*330mm	438*330*335mm	1.33kg	19.0kg
	120W	12PCS	102*102*330mm	438*330*335mm	1.34kg	19.1kg
High Brightness	80W	12PCS	102*102*330mm	438*330*335mm	1.31kg	18.7kg
	100W	12PCS	102*102*330mm	438*330*335mm	1.31kg	18.7kg

## Installation instructions

- 1.Power off before installation;
- 2.Install the lamp in E39 or E40;
- 3.Adjust the lamp body direction to needing orientation lighting direction;
- 4.Connect AC power to lighten the lamp.

## Notice

1. Please read the specification first, to make sure the service environment matches the condition in the specification before using.
2. Please confirm the applicable power supply before using.
3. Make sure the switch of product is off before connect to the power supply to prevent electric shock.
4. Operation against rules may damage your property even harm to your personal safety.
5. Preliminarily estimate required quantity of LED lights, then according to the power rating of single lamp to figure out the total power and design power supply plan.
6. Dangerous high voltage, Non-professionals are not allowed to maintain the products.
7. If the exterior flexible cable or wire is damaged, it must exchange by the supplier, its agent or other similar qualified personnels to avoid dangers